

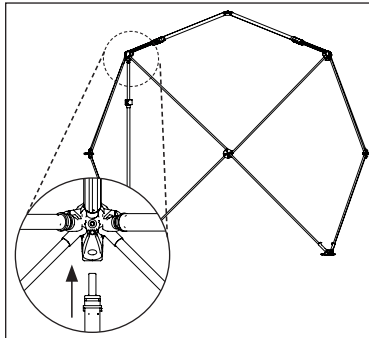
SET-UP INSTRUCTIONS



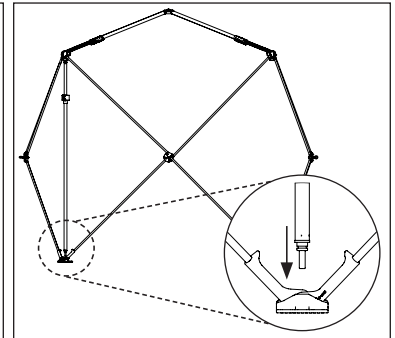
- Lay the blind flat on the ground so any wall panel is facing upward.
- Grab the handle on the eyelet and pull upward to pop wall open.
- Repeat for the remaining (2) walls so the blind is partially standing up on its own.



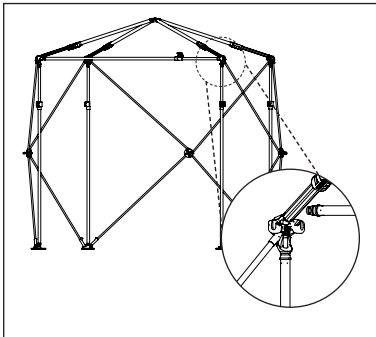
- Place palm of your hand on the roof hub and push the spring loaded roof straight up until it pops over center.



- Start by installing the (4) vertical spreader poles with the round peg ends.
- Slide the pole up and place peg into hole in top corner hub.



- With the clamp on the vertical pole in the unlocked position, place peg into hole on bottom corner hub.
- While keeping vertical poles spread apart, flip clamp lever on vertical pole into locked position.
- Repeat for remaining (3) vertical spreader poles.

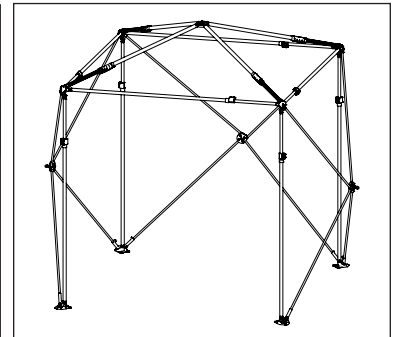
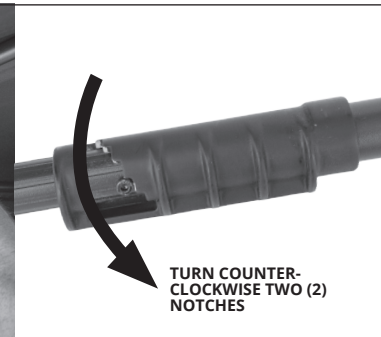


- Next, install the (4) horizontal spreader poles with the disc shaped ends, place one end into slot on any top corner hub.
- Insert the opposite end into top corner hub located across the same side of the blind.
- Repeat for remaining (3) horizontal spreader poles. **DO NOT** lock clamps yet.



- On each roof pole there is an adjustable tensioning handle
- Place your left hand on the smaller pole, closest to the corner hub, and your right hand on the tensioner.
- While spreading the poles apart, rotate the tensioner (2) notches counterclockwise. Repeat for all (4) roof poles.
- To maximize roof tension, return to the roof pole you started with and turn the tensioner tight. Repeat for all (4) roof poles.

Note: You may not need to reach the final notch on each tensioner, it may vary.



- Go back to the (4) horizontal spreader poles; while spreading them apart (tight), flip clamp lever into locked position.
- With roof poles tensioned and all vertical and horizontal spreader poles right, the frame of the CAGE® blind is now secure.

FOR DETAILED INSTRUCTIONS, PLEASE REFER TO OWNERS MANUAL