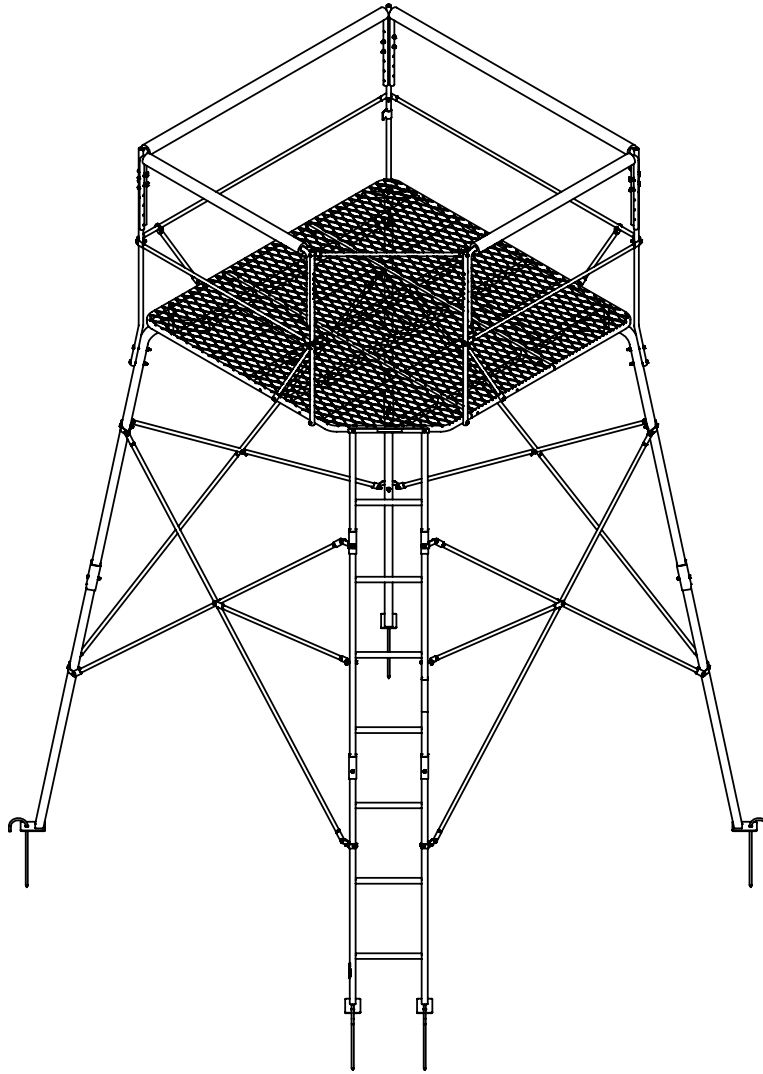




WE ARE HUNTERS



Operator's Manual

12' SHOOTING PLATFORM

MODEL RE402T/RE402T2

Maximum Height
12' to shooting rail

Maximum Field Rating
500 lbs; no more than
300 lbs per person.



ATTENTION

YOU MUST READ ALL WRITTEN INSTRUCTIONS AND WATCH THIS SAFETY VIDEO BEFORE USING!



WATCH THIS SAFETY VIDEO BEFORE USING!

Scan →



or Visit →

www.standsafety.com/r5

Scan the QR code with your smart phone, tablet or similar device.

OR

Type the website address into your web browser to view an important safety video before using this product.

TRIPOD STAND SAFETY

PRODUCT MEETS
INDUSTRY STANDARDS
RECOGNIZED BY



PARTICIPATING MEMBER

Get parts online at
www.HuntRiversEdge.com

© 2025 Ardisam, Inc.
All Rights Reserved

P/N: 48959
C/N: 49103
REV1: 01/27/2025

INTRODUCTION

Rivers Edge® Treestands are engineered with you the hunter in mind. We appreciate your purchase of one of our world class treestands. Follow these few simple instructions and your stand will provide you many years of trouble-free pleasure. Instructions should be kept in a safe place and reviewed at least annually.

If for any reason you have a problem with your product, **DO NOT return to the retailer**, contact the Rivers Edge® customer service department at 800-345-6007 for assistance.

CONTENTS

Introduction/Warranty	2
Warnings.....	3-5
Inspection and Maintenance Schedule.....	5
Hardware Identification Chart.....	6
Assembly Instructions	8-18
Finished Tower.....	19
Illustrated Parts Breakdown.....	20-22
Parts List.....	23

WARRANTY

Ardisam, Inc. offers a one year warranty for all components of the treestand. These warranties apply to the original owner with a proof of purchase. These warranties begin on the date of purchase by the first retail consumer and continue for the period specified above. These warranties apply to products that are not modified, abused or used in a manner that deviates from the product's intended usage. Minor fading in color is normal and is not covered by warranty. Any corrosion of painted surfaces that occurs as a result of paint being removed or damaged is also not covered by warranty. Ardisam, Inc. offers no other warranty service expressed or implied. Products for which warranty work has been approved must be sent directly to Ardisam, Inc. and performed by Ardisam, Inc. **To obtain warranty service and/or replacement instructions, you must obtain prior approval from Ardisam, Inc. before shipping your package to us by calling our customer service department at 800-345-6007 or by writing to: Ardisam, Inc., P.O. Box 755, 1730 Industrial Avenue, Cumberland, WI 54829 for a return material authorization number (RMA#).** All items must be shipped prepaid. Ardisam, Inc. will, at no charge, repair or replace, in Ardisam's sole discretion, any product that satisfies the conditions stated above. Ardisam, Inc. retains the right to change models, specifications and price without notice.

This equipment has been manufactured under strict quality and safety guidelines. As with any equipment of this type, full understanding of the instructions and its use is mandatory and imperative for the safety of its user. Ardisam, Inc. is not responsible for any damages or injuries sustained due to improper use or modification of any of its products, or resulting from any use which deviates from the product's intended usage. Ardisam, Inc. is not responsible for any injuries sustained due to failure to read and adhere to the instructions for use. Any misunderstanding or questions regarding the products of their use should be directed to Ardisam, Inc. prior to any use. It is the owner's sole responsibility to inspect the product regularly for damage, improper installation, or conditions that could jeopardize the ultimate safety of the product. **Owner is responsible to understand and follow product field weight rating and must never exceed maximum weight rating.** Ardisam, Inc. is not responsible for any malfunction or injury resulting from normal wear and tear, damage caused by improper use, improper maintenance, negligence or accidents. This product, if used safely as intended, will provide trouble free service for the useful life of the product. We hope you will enjoy the quality of our products for years to come, and have a safe hunt.

*This product is designed to be used with Rivers Edge® products only. *Using structures other than Rivers Edge® products will void your warranty and waive any and all claims for liability against the manufacturer Ardisam, Inc.*

STOP

READ AND UNDERSTAND THE FOLLOWING WARNINGS BEFORE ASSEMBLY

MODEL RE402T/RE402T2

MAXIMUM USE HEIGHT - 12' TO SHOOTING RAIL

MAXIMUM OCCUPANCY - TWO (2) PERSONS

TOTAL WEIGHT LIMIT - 500 LB (300 LB PER PERSON MAX)

! WARNING

- ▲ This product carries strict height and weight restrictions. **Do Not** use this product if you exceed the total weight limit. Please note that the total weight limit includes the user(s) and their equipment.

! WARNING

- ▲ **When hunting from, installing, or removing a treestand, tripod, or tower, falls can occur any time after leaving the ground causing injury or death.**
- ▲ **Read and understand** all of the manufacturer's Warnings and Instructions and use all safety devices provided by the manufacturer. Contact the manufacturer for any questions. Failure to do so could result in injury or death.
- ▲ **Never** exceed the total weight limit of the treestand, tripod or tower.
- ▲ **Never** use, install or remove a treestand, tripod or tower during inclement weather such as rain, lightning, windstorms or icy conditions and end your hunt and return to the ground if inclement conditions arise.
- ▲ **Never** use, install or remove a treestand, tripod or tower while using drugs (even prescription drugs) or alcohol.
- ▲ **Never** use, install or remove a treestand, tripod or tower while feeling ill, nauseous or dizzy, or if you have a prior medical condition that could cause a problem, that is, heart condition, joints that lock-up, spinal fusions, etc., or if you are not well rested.
- ▲ **Never** sleep in stand.
- ▲ **Never** rely on a tree branch for support.
- ▲ **Never** jump or bounce on a treestand, tripod or tower to seat it to the tree or ground.
- ▲ Pull up a bow, backpack, or firearm or other equipment only after being secure in the treestand, tripod or tower and a firearm must be pulled up with it unloaded, chamber open, and muzzle down.
- ▲ **Always** inform someone of the hunting location, where the treestand, tripod or tower will be located and the expected duration of the hunt.

! WARNING

- ▲ A signal device such as a mobile phone, radio, whistle, signal flare or personal locator device (PLD) must be on your person and readily available at all times.
- ▲ **Never** leave a tripod or tower out in the elements for more than two weeks since weather or animals could cause damage.
- ▲ Inspect the treestand, tripod or tower and all safety devices each time before use and **Do Not** store a treestand or free standing platform stand outdoors.
- ▲ **Never** modify your treestand, tripod or tower in any way by making repairs, replacing parts, or altering it except if explicitly authorized in writing by the manufacturer.
- ▲ Practice installing, adjusting, removing, and using your treestand, tripod or tower at ground level prior to using it at elevated positions. Study your new stand to become familiar with all of its features and design. Doing so will confirm that the product is manufactured, assembled and installed correctly.
- ▲ Instructions (written and video) shall be kept in a safe place and reviewed at least annually. It is the responsibility of the treestand, tripod or tower owner to furnish the complete instructions to any person who borrows or purchases the treestand, tripod or tower.
- ▲ When installing, taking down or moving a tripod or tower stand you must strictly follow the manufacturer's instructions to determine the appropriate number of people required to perform these tasks.
- ▲ **Always** use at least four (4) people to install or take down a tripod or tower.
- ▲ A fall arrest system/full body harness (FAS/FBH) that meets industry standards for treestands is not included with tripods and tower stands. FAS/FBH designed for treestands require that the tether be anchored/attached to the tree. Never attach a FAS/FBH to a tripod or tower stand or any part of its structure as this could lead to an unsafe condition. Failure to follow this warning could result in serious injury or death!
- ▲ Prior to setting up your tripod or tower stand inspect the ground surface area. The ground must be firm, level and free of any debris. Soft or sloping ground and debris can cause the platform to become unstable and lead to unsafe conditions such as tilting, shifting or tipping. Never attempt to climb a tripod or tower stand that is leaning, unstable or slanted.

STOP

READ AND UNDERSTAND THE FOLLOWING WARNINGS BEFORE SETUP AND USE

! WARNING

- ▲ **Never** erect a tripod or tower stand near overhead electrical power lines and/or buried utilities that can cause electrocution, explosion and/or fire. You must always contact appropriate authorities prior to installing any structure on or near right of ways or underground utilities.
- ▲ Check every ladder section connection every time you use the stand before you leave the ground. If ladder sections are separating, do not use the stand.
- ▲ For towers and tripods designed for two or more people, never allow more than one person at a time to ascend or descend the ladder. Be certain first person is fully off the ladder/entry platform and positioned safely on tower platform or ground before second person ascends or descends ladder.
- ▲ **Always** maintain three (3) points of contact when climbing a tripod or tower stand. Proper three-point contact means having either two feet with one hand or one foot with two hands on the step portion of the ladder at all times. Never lean backward when climbing as this could cause the tripod or tower stand to become unstable.
- ▲ Tripod and tower stands must be properly secured and/or anchored to the ground according to manufacturer's instructions. Avoid using tripod and tower stands during windy conditions which could cause the free standing platform to tip over and result in damage to equipment and also serious injury or death to the users.
- ▲ Inspect tripod and tower stands before each use. Leaving equipment exposed to rain, sunlight, changing temperatures, snow and extreme weather conditions for extended periods of time can cause dangerous conditions not visible to the naked eye. Do not attempt to use any product if damage is detected or suspected. For your personal safety and also the safety of others, the product should be removed from service immediately.
- ▲ **Never** exceed the stated maximum use height.

! WARNING

- ▲ **Do Not** use this product until you have watched the safety video, understand it, and practiced the techniques for safe hunting discussed in this video. The video can be found with the QR code and/or URL shown on front cover of this manual.
- ▲ Read and perform all inspection and maintenance tasks before each and every use. Replace any questionable components immediately with Rivers Edge® original replacement parts.
- ▲ **Do Not** crush tubing when tightening bolt assemblies! Identify and familiarize yourself with all parts before you start. Bolt identification chart can be found in the back.
- ▲ Double check assembly steps to be certain you have correctly assembled this product.
- ▲ **Never** use any product that has not been maintained or inspected properly - Your life depends on it!
- ▲ Do not position this product on a slope, unlevel, or wet ground. It may tip over and serious injury or death may occur.
- ▲ Ground must be free of rocks and debris so stakes can be driven into ground through holes provided in foot pads. This will help prevent tower from tipping over in strong winds.
- ▲ Contacting buried utilities may result in serious injury or death! Before digging always call 811 or your local One-Call system to prevent person injury, interruption of service, environmental accidents or project delays.

! WARNING

- ▲ **Only** use approved Rivers Edge® parts. Failure to do so may result in serious injury or death!

WARNING

- ▲ Be sure only one person ascends or descends ladder at a time. Be certain first person is fully off of the ladder and positioned safely on tower platform or ground before second person ascends or descends ladder.
- ▲ **Never** have two people on one side of the platform. Keep weight evenly distributed on platform.
- ▲ **Always** be aware of the other person's position. Use extreme caution when weapons are used to prevent personal injury.
- ▲ **Always** lean forward as you climb ladder or climbing aid.
- ▲ **Always** wear the appropriate footwear when using a free standing platform stand. A good non-slip safety boot is important to your personal safety. Be especially careful that boot laces do not get hooked on the stand or any of its components (tuck shoelaces into boots before climbing).

WARNING

- ▲ Double check assembly steps to be certain you have correctly assembled this product.
- ▲ Study your new product to become familiar with all of its features and design. Save these instructions for future reference.
- ▲ **Be Sure** assembly area is open, flat, level, and dry with no power lines near!
- ▲ **Always** use at least four (4) people to install or take down a tripod or tower.
- ▲ **Do Not** use any type of motorized vehicle to upright/assemble this free standing platform stand. You could cause unnecessary damage to this product. Upright only by manufacturer's instructions.
- ▲ Some models include a shooting rail. **Never** lean against, lean over, or sit on shooting rail. It is designed as a shooting rest only. On models that have a non-fixed shooting rail, be sure shooting rail is flipped back or swung to the side when ascending or descending ladder.

INSPECTION AND MAINTENANCE

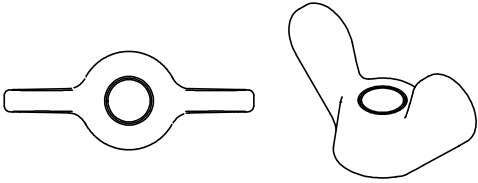
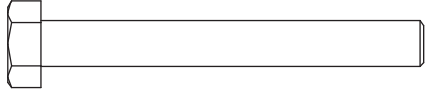
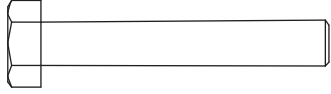

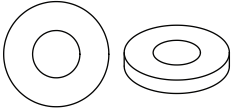

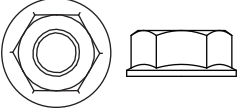
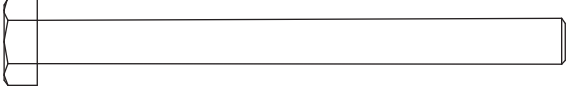

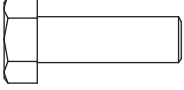
BEFORE EACH USE PERFORM THE FOLLOWING:

- Inspect all webbing, rope, cord, and strap assemblies for wear or damage.
- Inspect cables and/or cable ends for damage or kinking.
- Inspect all hardware and chain components for damage.
- Inspect for any structural damage to product. (If any exists call customer service.)
- Inspect all nut and bolt assemblies to be certain none are loose.
- Inspect for any missing parts.
- Lubricate all pivot and slide together points with powder graphite, petroleum jelly or silicone spray to prevent noise, wear and rust.
- Inspect entire product for any rust, corrosion, cracks, freezing, excessive heat or rotting damage that may effect the safety of your product. Discard any questionable product.
- Inspect entire product for any structural damage - pay close attention to all weld locations. (Return to factory for repair or discard product if any damage is found.)
- Using correct wrenches inspect all nut & bolt assembly locations and snug up any that may be loose. Be careful not to crush tubing when tightening!
- Inspect and check operation of all cables, cable ends, cord, rope, webbing, and strap or chain assemblies. Replace with factory new any item or assembly that shows signs of wear, damage, kinking, or functions incorrectly.
- Inspect seat. Replace any seat with factory new that shows signs of structural damage or wear.
- Inspect all hardware for wear or damage, also be sure you have no missing parts.
- Never modify your stand in any way by making repairs, replacing parts, or altering adding or attaching anything to it except if explicitly authorized in writing by the manufacturer.

TOOLS REQUIRED (NOT INCLUDED)

-	-	7/16 IN WRENCHES		2
---	---	---------------------	--	---

HARDWARE LIST

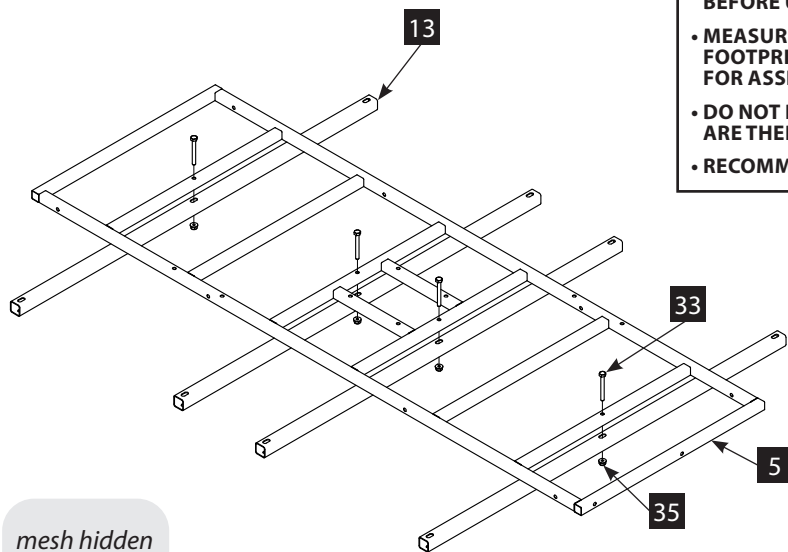
Item	Part No.	Description	Image	Qty
27	48042B	WING NUT 1/4 IN		2
28	48153B	BOLT 1/4 X 2 IN		37
30	48240B	BOLT 1/4 X 1-1/2 IN		11
31	48250B	BOLT 1/4 X 1-3/4 IN		10
32	48261B	WASHER 1/4 IN		6
33	48271B	BOLT 1/4 X 2-1/4 IN		12
35	48752B	NUT 1/4 IN		100
36	67540B	BOLT 1/4 X 2-3/4 IN		12
37	8909B	BOLT 1/4 X 1-1/4 IN		4
38	8930B	BOLT 1/4 X 3/4 IN		16

THIS PAGE WAS LEFT BLANK INTENTIONALLY

ASSEMBLY INSTRUCTIONS

IMPORTANT ASSEMBLY TIP: Do not tighten any nut and bolt combinations completely until instructions indicate to. Finger tighten plus one turn of a wrench only! This will temporarily hold the lock-nut on the bolt while helping alignment of all parts!

STEP 1



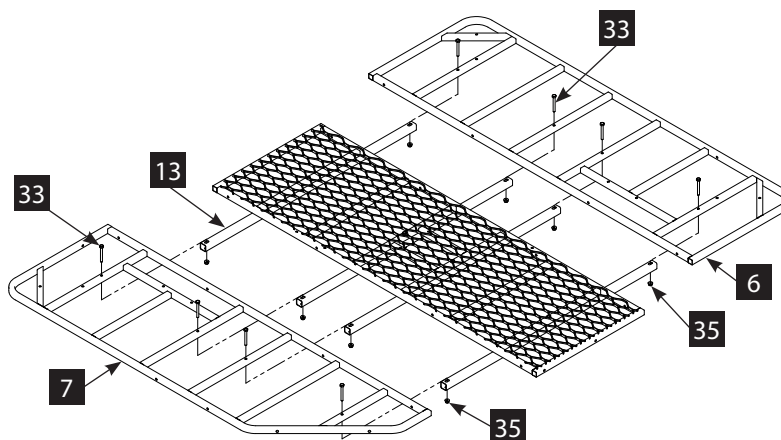
mesh hidden
for clarity

- ALL ASSEMBLY MUST BE DONE COMPLETELY IN THIS ORDER BEFORE USE.
- MEASURE OUT ASSEMBLY/INTENDED USE LOCATION, ASSEMBLED FOOTPRINT OF PRODUCT IS 7' X 7'. ALLOW ADDITIONAL ROOM FOR ASSEMBLY.
- DO NOT REMOVE LABELS/WARNINGS FROM PRODUCT, THEY ARE THERE FOR YOUR SAFETY.
- RECOMMENDED FOR ADULT USE ONLY.

1. Attach four platform braces (13) to the middle platform (5) using one 1/4 X 2-1/4 IN bolts (33) and nut (35) for each brace.

2. Attach the front platform (7) to the four platform braces (13) using one 1/4 X 2-1/4 IN bolts (33) and nut (35) for each brace.

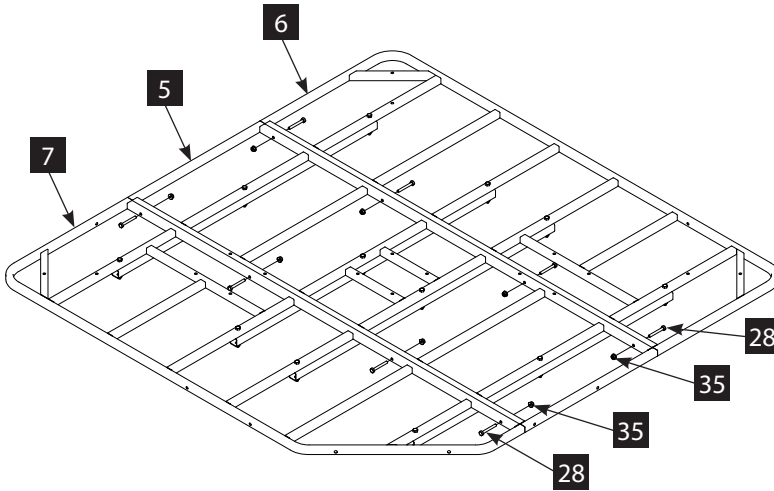
Attach the rear platform (6) to the four platform braces (13) using one 1/4 X 2-1/4 IN bolts (33) and nut (35) for each brace.



mesh hidden
for clarity

STEP 2

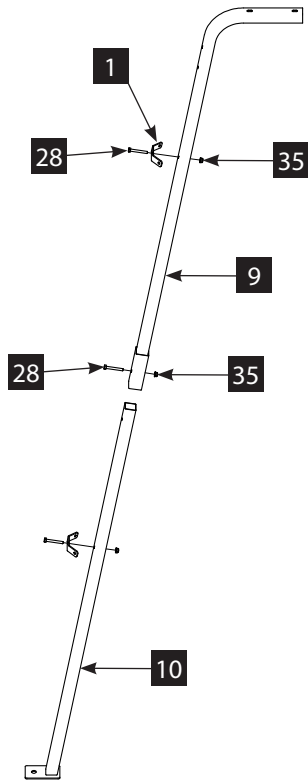
STEP 3



3. Secure the three platforms together (5, 6, 7) using eight 1/4 X 2 IN bolts (28) and nuts (35).

*mesh hidden
for clarity*

STEP 4

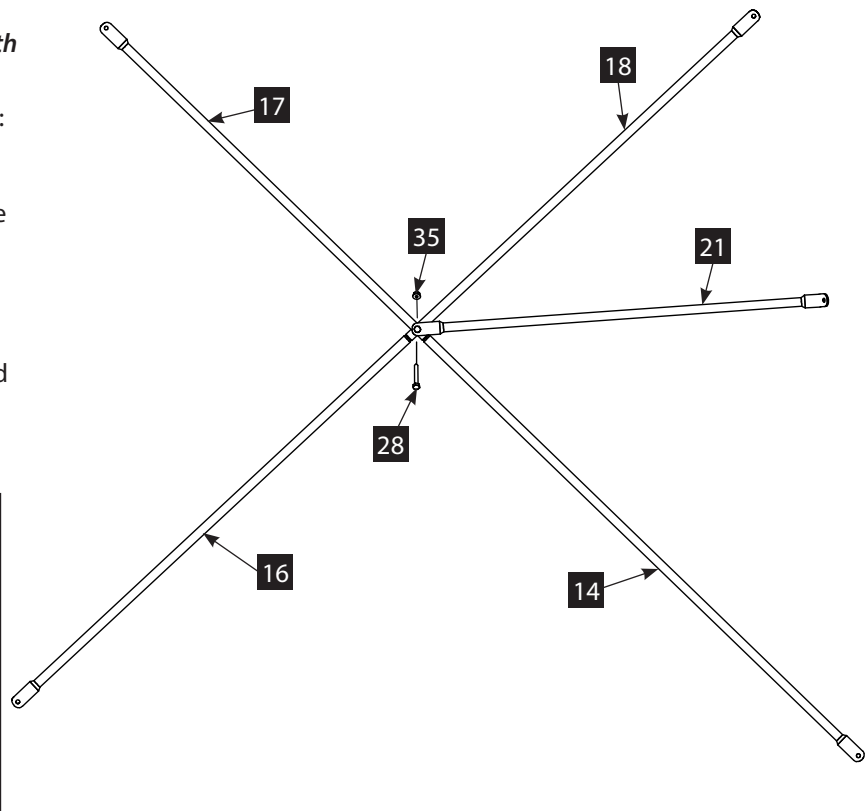


- Assemble the three legs by attaching the leg-to-platform (9) to each bottom leg (10) using one 1/4 X 2 IN bolt (28) and nut (35) for each leg. Attach two brace-to-leg brackets (1) to each leg assembly using two 1/4 X 2 IN bolt (28) and nuts (35).

Securely tighten all loose hardware at this time.

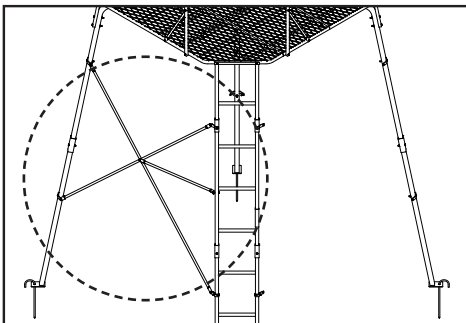
Start by organizing all braces that have a numbered label on them, there are 18 total with numbers 14-18, and 21.

- Locate one of each of the following braces: 14, 16, 17, 18, and 21 to make the **LEFT SIDE** ladder cross brace assembly. Insert brace (14) into brace (17). Next, insert brace (16) into brace (18). Brace (17) and brace (18) will be the top of the assembly. While paying attention to orientation, connect brace (21), braces (14, 17), and braces (16, 18) together using a 1/4 X 2 IN bolt (28) and nut (35). This cross brace assembly will be used on the left side of the ladder.

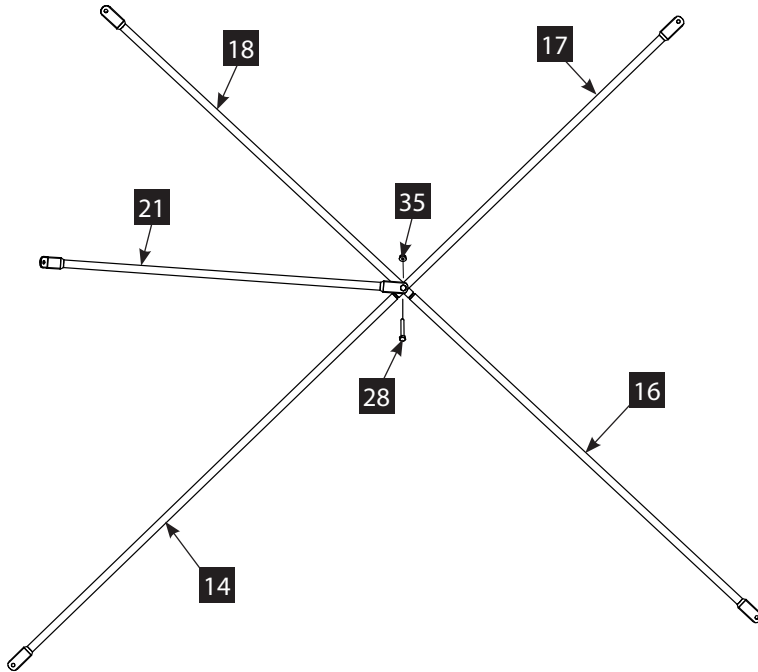


STEP 5A

LEFT SIDE

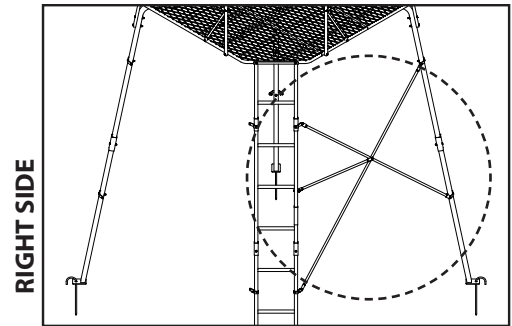


STEP 5B



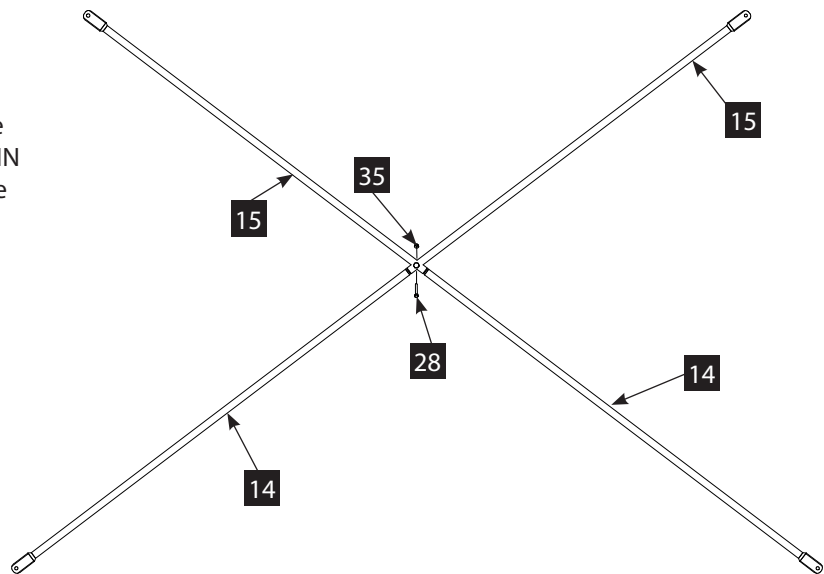
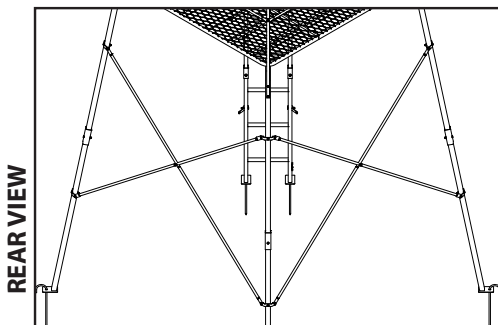
5B. Locate one of each of the following braces: 14, 16, 17, 18, and 21 to make the **RIGHT SIDE** ladder cross brace assembly. Insert brace (14) into brace (17). Next, insert brace (16) into brace (18). Brace (17) and brace (18) will be the top of the assembly. While paying attention to orientation, connect brace (21), braces (14, 17), and braces (16, 18) together using a 1/4 X 2 IN bolt (28) and nut (35). This cross brace assembly will be used on the right side of the ladder and should be a mirror to the cross brace assembly made in Step 5A.

Securely tighten all loose hardware at this time.



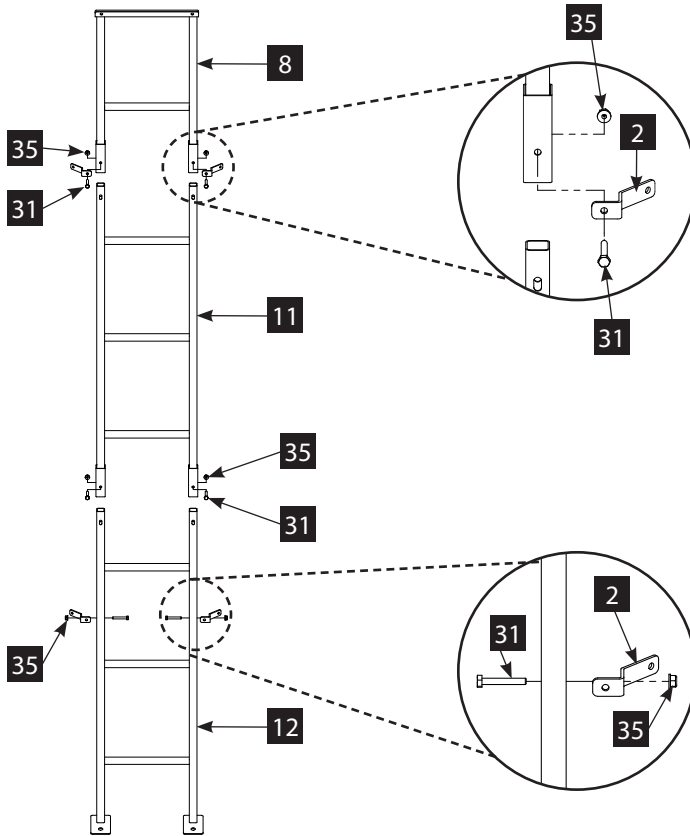
6. Locate two brace (14) and two brace (15) to make one **REAR** cross brace assembly. Insert a brace (14) into each brace (15). Braces (15) will be the top of the assembly. While paying attention to orientation, connect the two brace assemblies (14, 15) together using one 1/4 X 2 IN bolt (28) and nut (35). Repeat this step to create the second rear cross brace assembly.

Securely tighten all loose hardware at this time.



STEP 6

STEP 7



7. Begin assembly of the ladder by first sliding together the top, middle, and bottom ladder sections (8, 11, 12).

Attach one brace-to-ladder bracket (2) to each side of the top ladder (6) and secure with one 1/4 X 1-3/4 IN bolt (31) and a nut (35).

Secure middle ladder (11) to bottom ladder (12) using two 1/4 X 1-3/4 IN bolt (31) and nuts (35). Attach one brace-to-ladder bracket (2) to each side of the bottom ladder (12) and secure with one 1/4 X 1-3/4 IN bolt (31) and a nut (35).

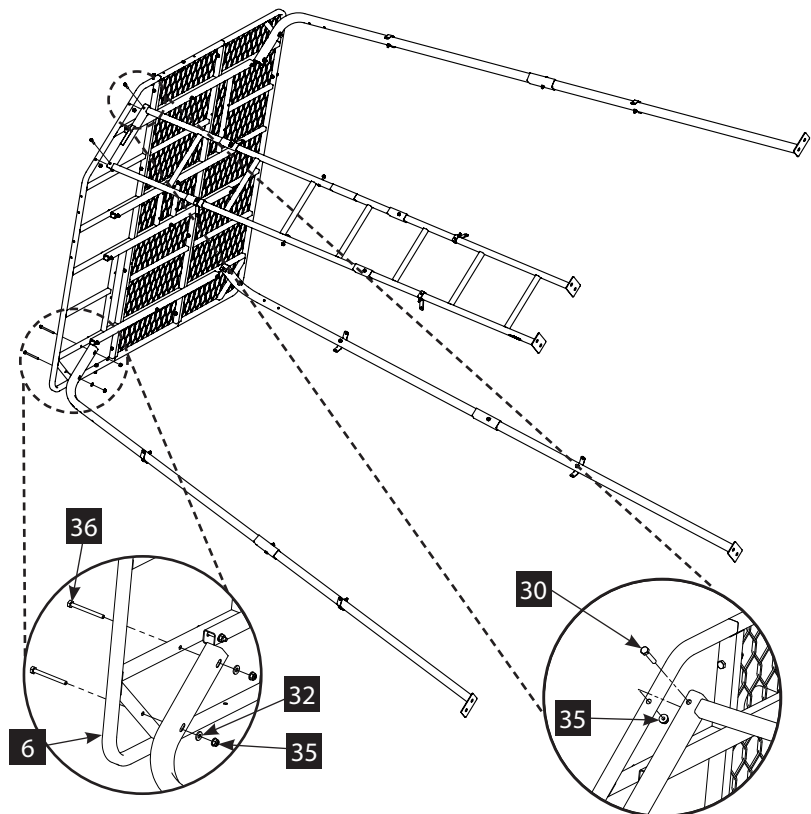
Securely tighten all loose hardware at this time.

8. Tip the platform assembly on the rear platform (6) and attach the three leg assemblies to the platform using two 1/4 X 2-3/4 IN bolts (36), two 1/4 IN steel washers (32), and two nuts (35) for each leg assembly.

Attach ladder assembly to platform assembly using two 1/4 X 1-1/2 IN bolts (30) and two nuts (35).

Securely tighten all loose hardware at this time.

mesh hidden for clarity

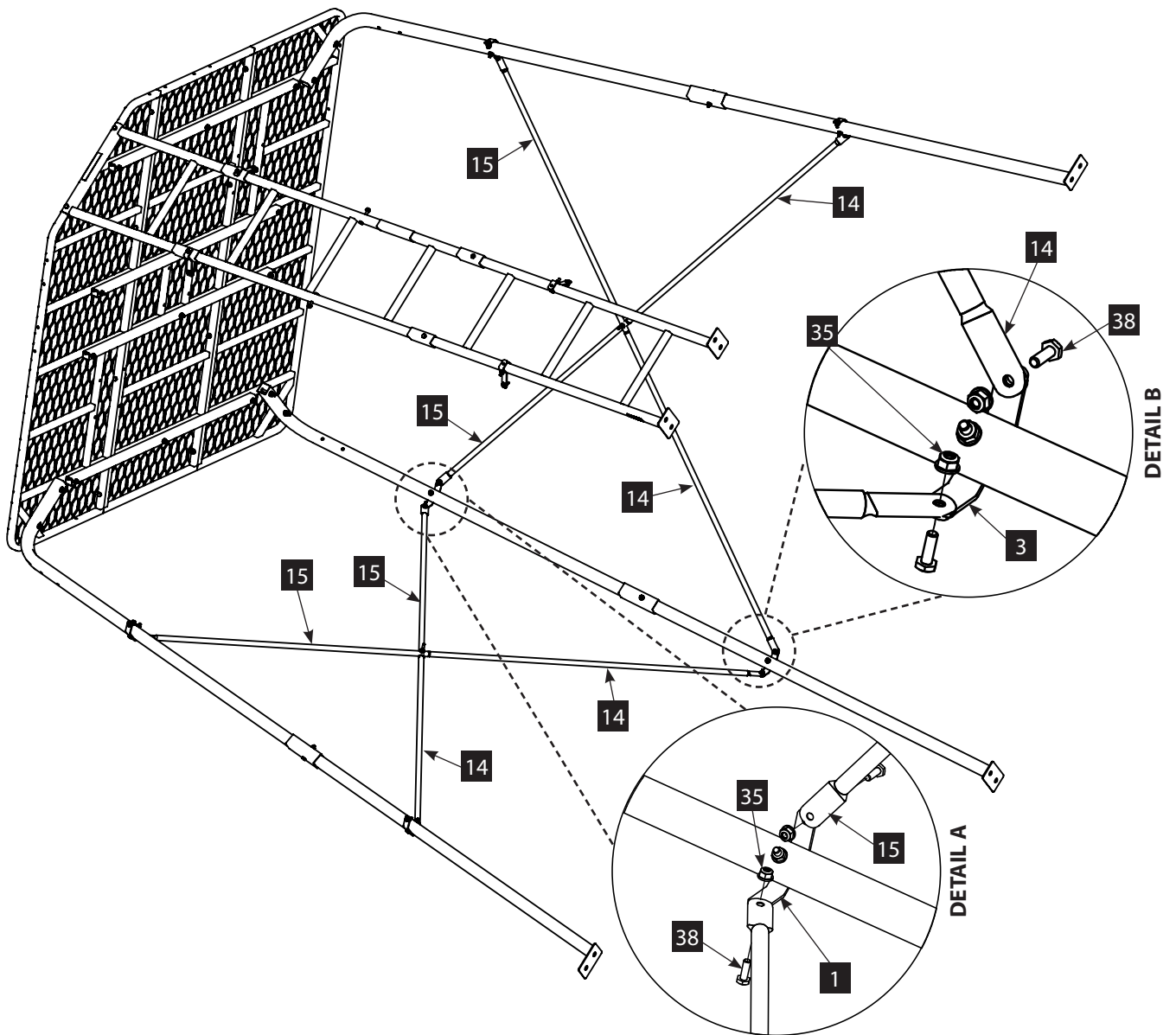


STEP 8

9A. Locate the rear cross brace assembly from Step 6. With brace (15) closer to the platform, connect each brace (15) to the inside of the brace-to-leg attachments (1) that are closer to the platform using four 1/4 X 3/4 IN bolt (38) and nuts (35). **SEE DETAIL A.**

Next, connect each brace (14) to the inside of the brace-to-leg attachments (2) that are closer to the feet using four 1/4 X 3/4 IN bolts (38) and nuts (35). **SEE DETAIL B.**

STEP 9A



9B. Locate the left side ladder cross brace assembly made in Step 5A. Begin by attaching brace (18) to the inside of the brace-to-ladder bracket (2) that is closest to the platform located on the left side of the ladder using one 1/4 X 3/4 IN bolt (38) and nut (35). **SEE DETAIL A.**

Next, attach brace (14) to the inside of the brace-to-ladder bracket (2) that is closest to the feet located on the left side of the ladder using one 1/4 X 3/4 IN bolt (38) and nut (35). **SEE DETAIL B.**

Then, attach brace (17) to the inside of the brace-to-leg bracket (1) that is closer to the platform located on the leg to the left of the ladder using one 1/4 X 3/4 IN bolt (38) and nut (35). **SEE DETAIL C.**

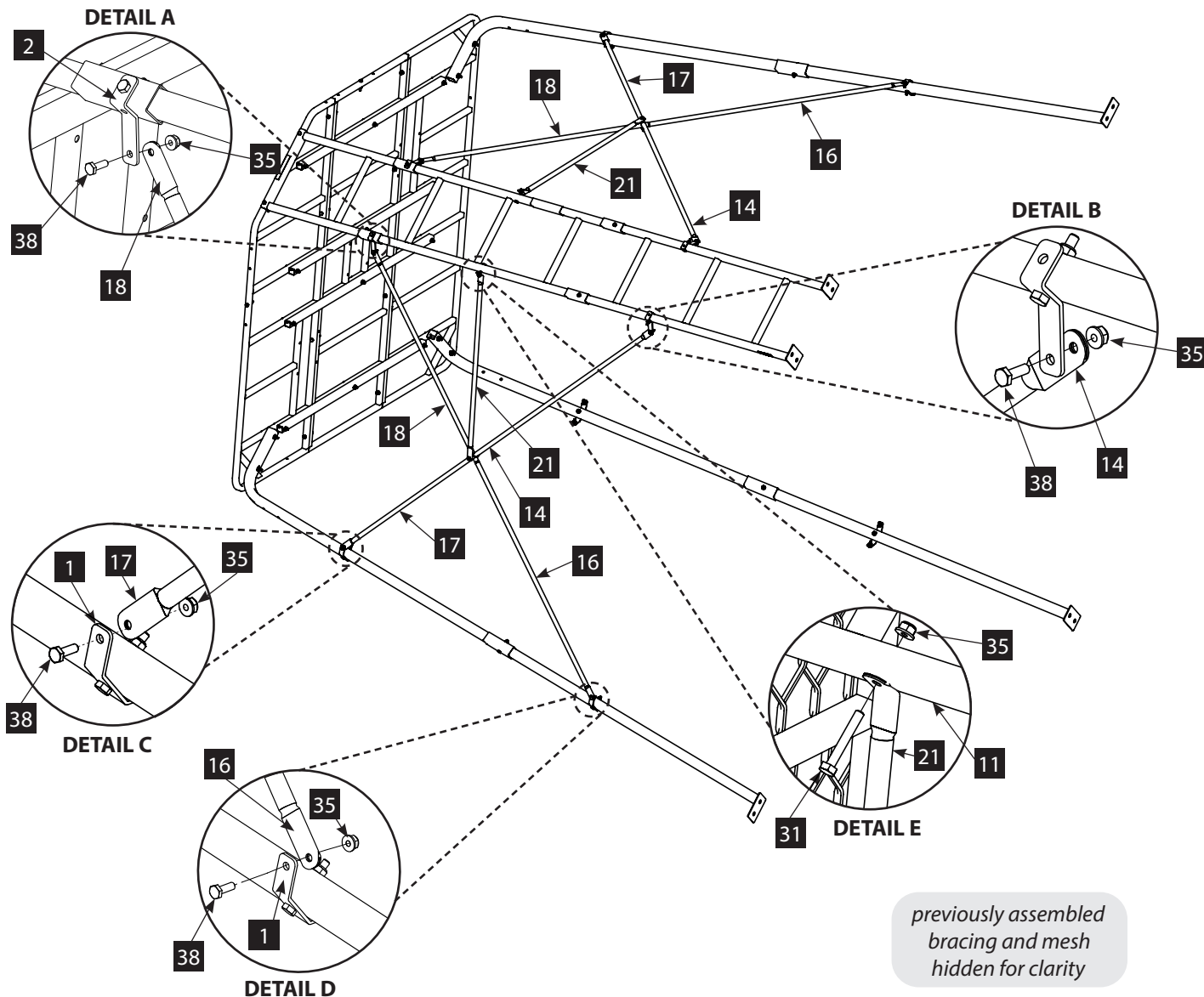
Attach brace (16) to the inside of the brace-to-leg bracket (1) that is closer to the feet located on the leg to the left of the ladder using one 1/4 X 3/4 IN bolt (38) and nut (35). **SEE DETAIL D.**

Finally, connect brace (21) to the outside of the middle ladder (11) using one 1/4 X 1-3/4 IN bolt (31) and nut (35). **SEE DETAIL E.**

Locate the right side ladder cross brace assembly made in Step 5B. Repeat this step on the right side of the ladder. The two ladder cross brace assemblies should mirror each other.

Securely tighten all loose hardware at this time.

STEP 9B

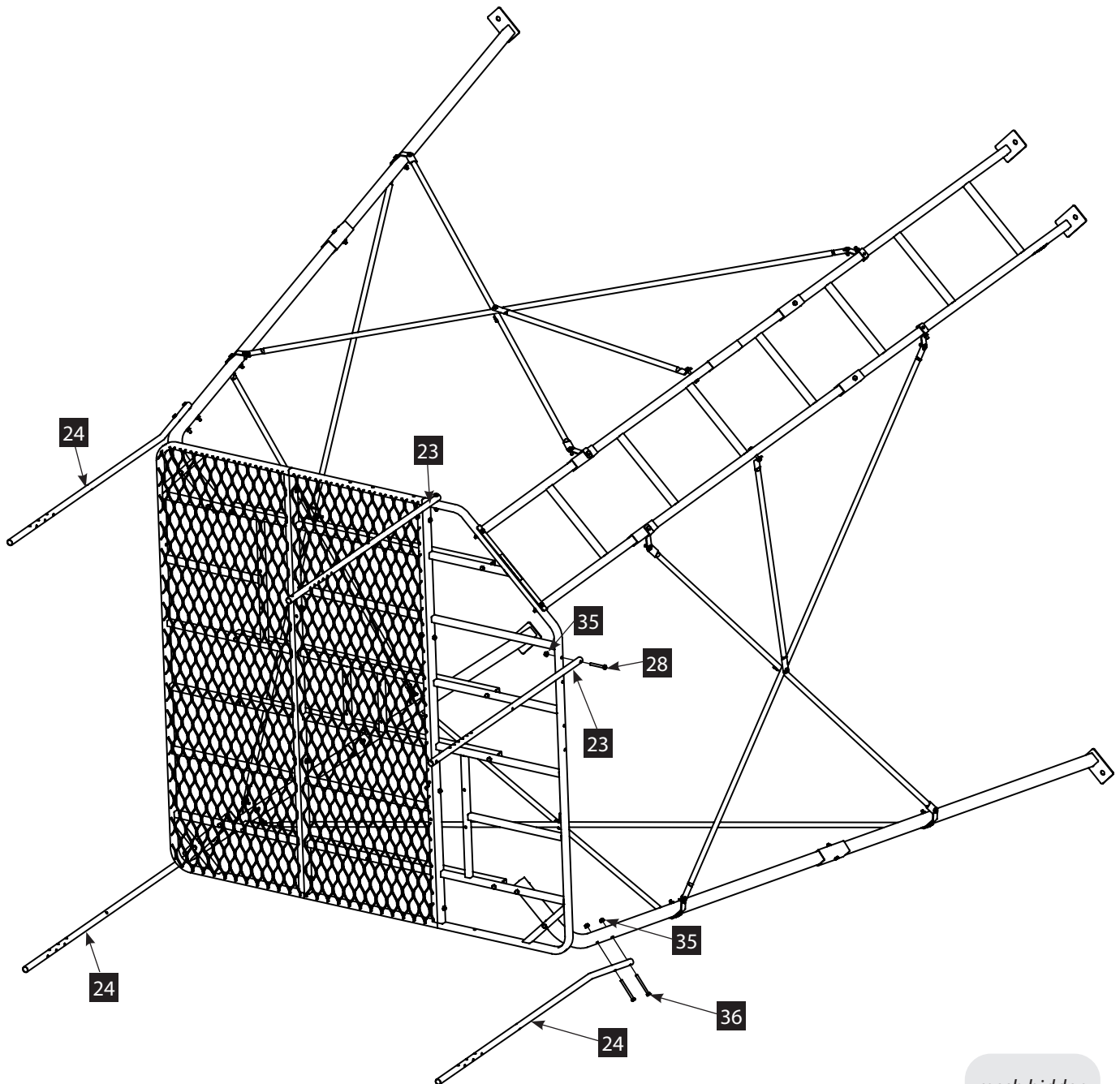


- Attach the three vertical corner supports (24) to the leg-to-platform assemblies using two 1/4 X 2-3/4 IN bolts (36) and two nuts (35) for each support.

Attach the two vertical entry supports (23) to the platform assembly using one 1/4 X 2 IN bolt (28) and one nut (35) for each support.

NOTE: Support platform with blocks to help with ease of assembly.

STEP 10



mesh hidden
for clarity

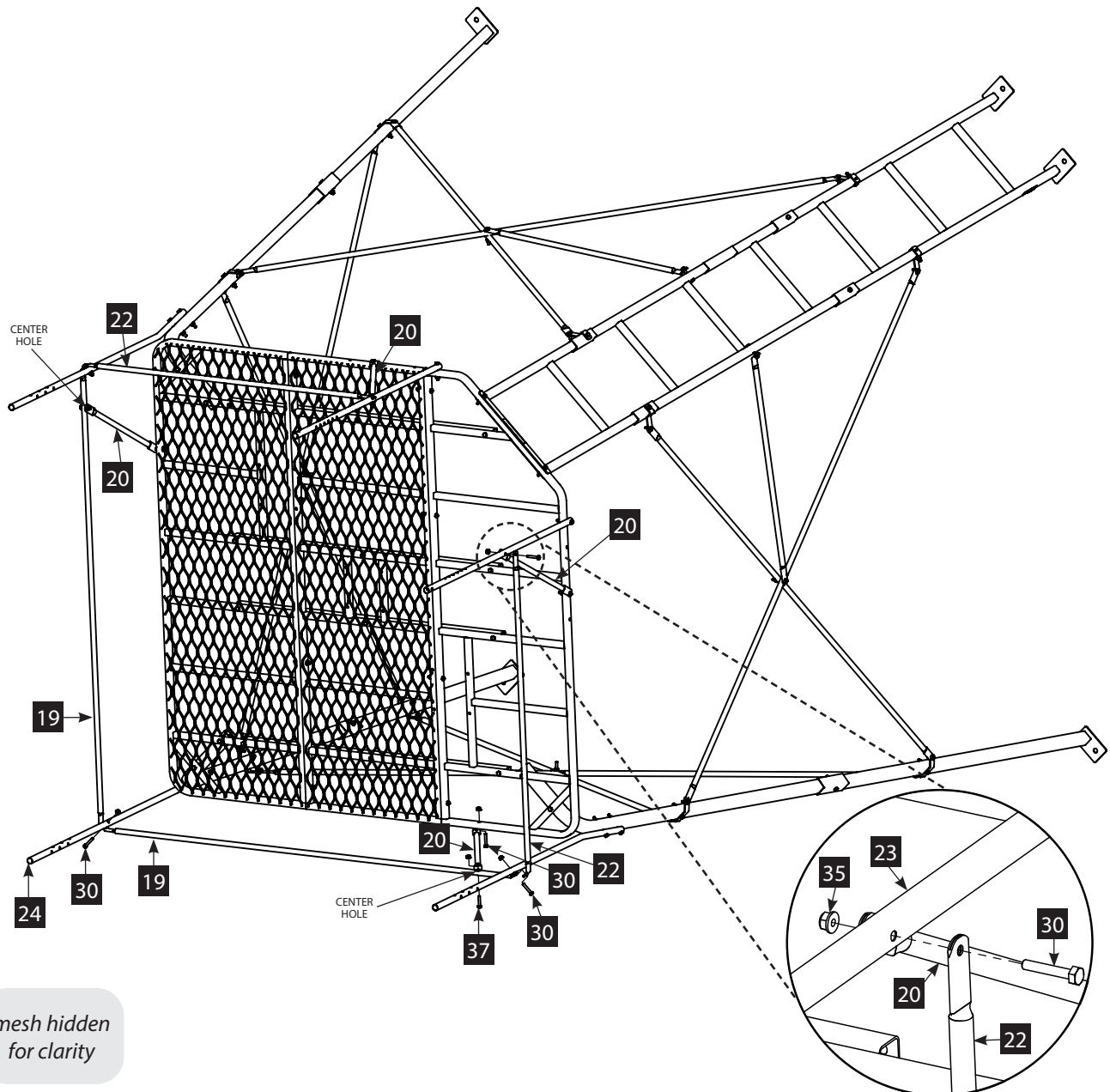
STEP 11

11. Attach the two long support braces (19) to the vertical corner support (24) that is opposite to the ladder using one 1/4 X 1-1/2 IN bolt (30) and nut (35). Be sure the center holes in each long support brace (19) are closer to the other two vertical corner supports (24). Connect the other side of each long support brace (19) and a short support brace (22) to the two remaining vertical corner supports (24) using one 1/4 X 1-1/2 IN bolt (30) and nut (35) for each corner.

Attach a short support brace (22) to the outside of each vertical entry support (23) and an angled support brace (20) to the inside of each vertical entry support (23) using one 1/4 X 1-1/2 IN bolt (30) and nut (35) for each vertical entry support (23). Attach the other end of each angled support brace (20) to the platform using one 1/4 X 1-1/2 IN bolt (30) and nut (35).

Attach an angled support brace (20) to the inside of each long support brace (19) using 1/4 X 1-1/4 IN bolt (37) and nut (35). Attach the other end of each angled support brace (20) to the platform using one 1/4 X 1-1/2 IN bolt (30) and nut (35).

Securely tighten all loose hardware at this time.

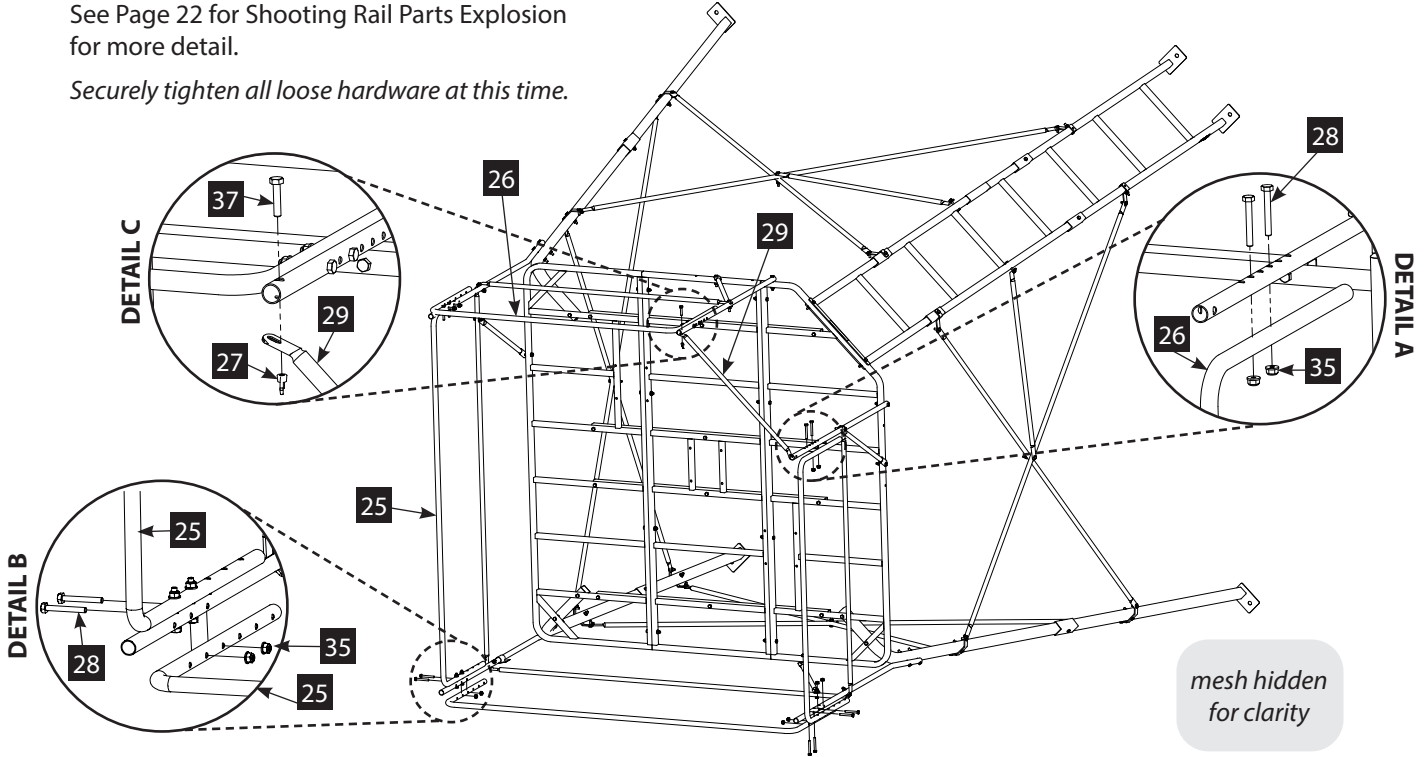


mesh hidden
for clarity

12A. Attach the two long shooting rails (25) and two short shooting rails (26) with sixteen 1/4 X 2 IN bolts (28) and nuts (35) **SEE DETAIL A & B**. Attach the entry shooting rail (29) using two 1/4 X 1-1/4 IN bolts (37) and two wing nuts (27) **SEE DETAIL C**. The shooting rail features 6-inches of adjustment. Once fully assembled adjust to the desired height. See Page 22 for Shooting Rail Parts Explosion for more detail.

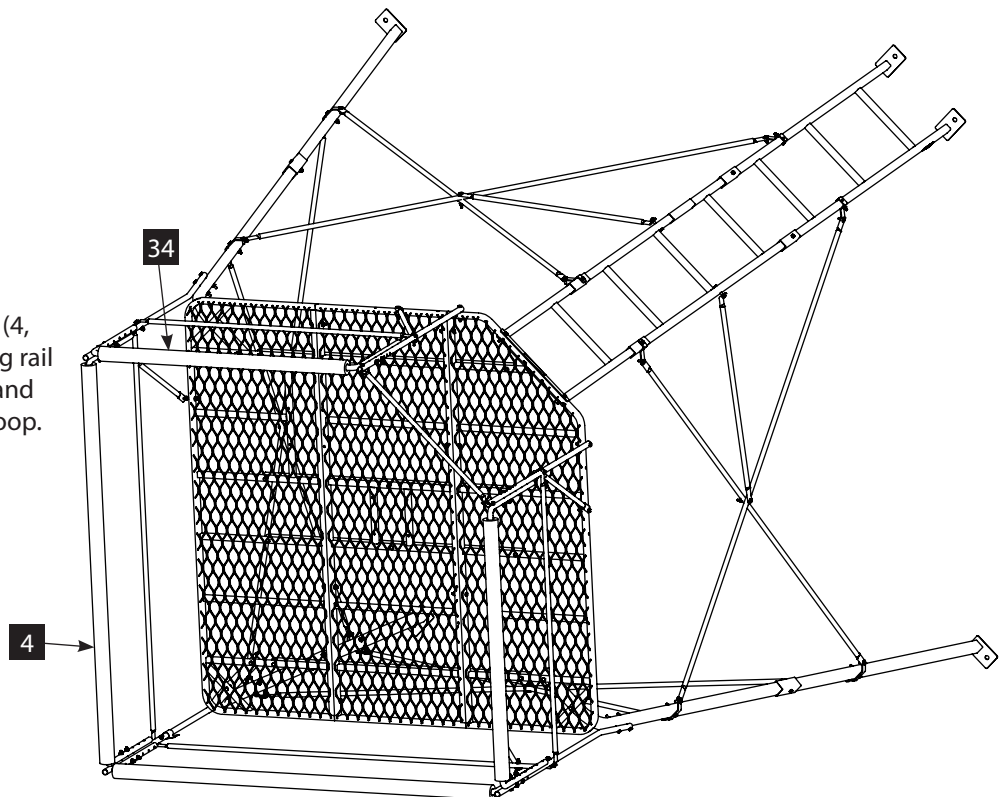
Securely tighten all loose hardware at this time.

STEP 12A

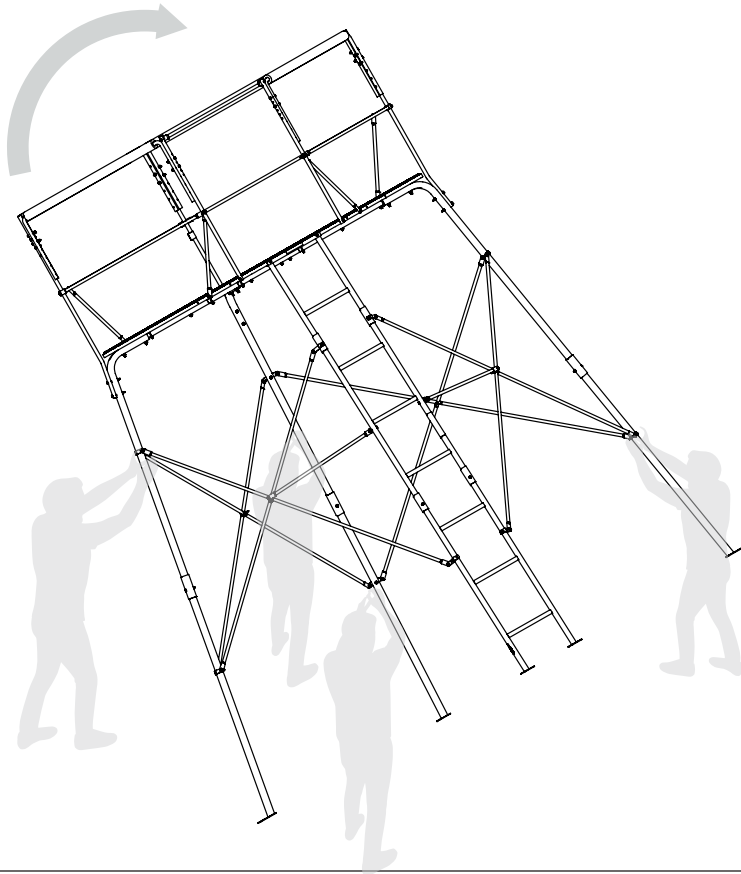


12B. Attach the shooting rail pads (4, 34) to the assembled shooting rail by wrapping around the rail and securing with the hook and loop.

STEP 12B

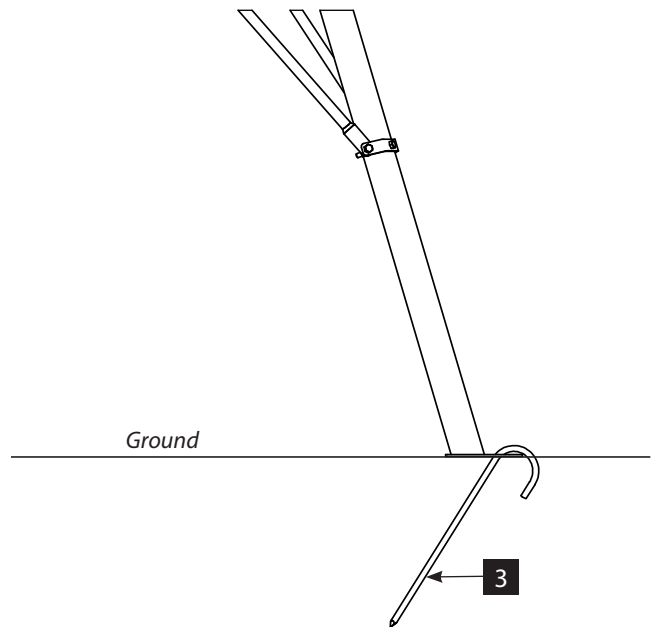


STEP 13



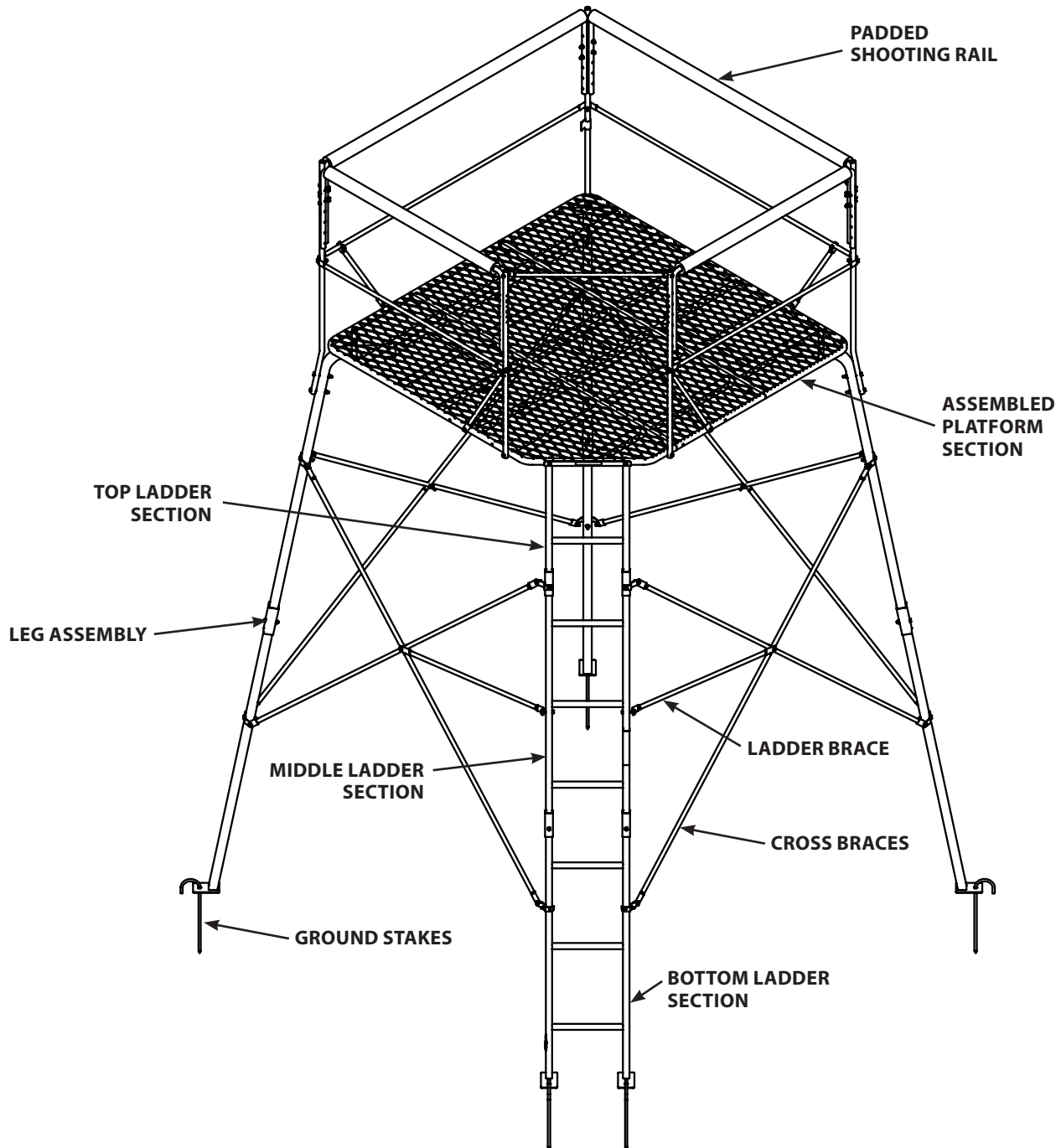
13. With at least four people, carefully lift on the rear platform side of the tower and tilt onto its feet.

14. Using a hammer, drive the five provided ground stakes (3) into the ground at an angle towards the center of the tower. Driving them in at a similar angle as shown will greatly increase how well the tower is secured to the ground.

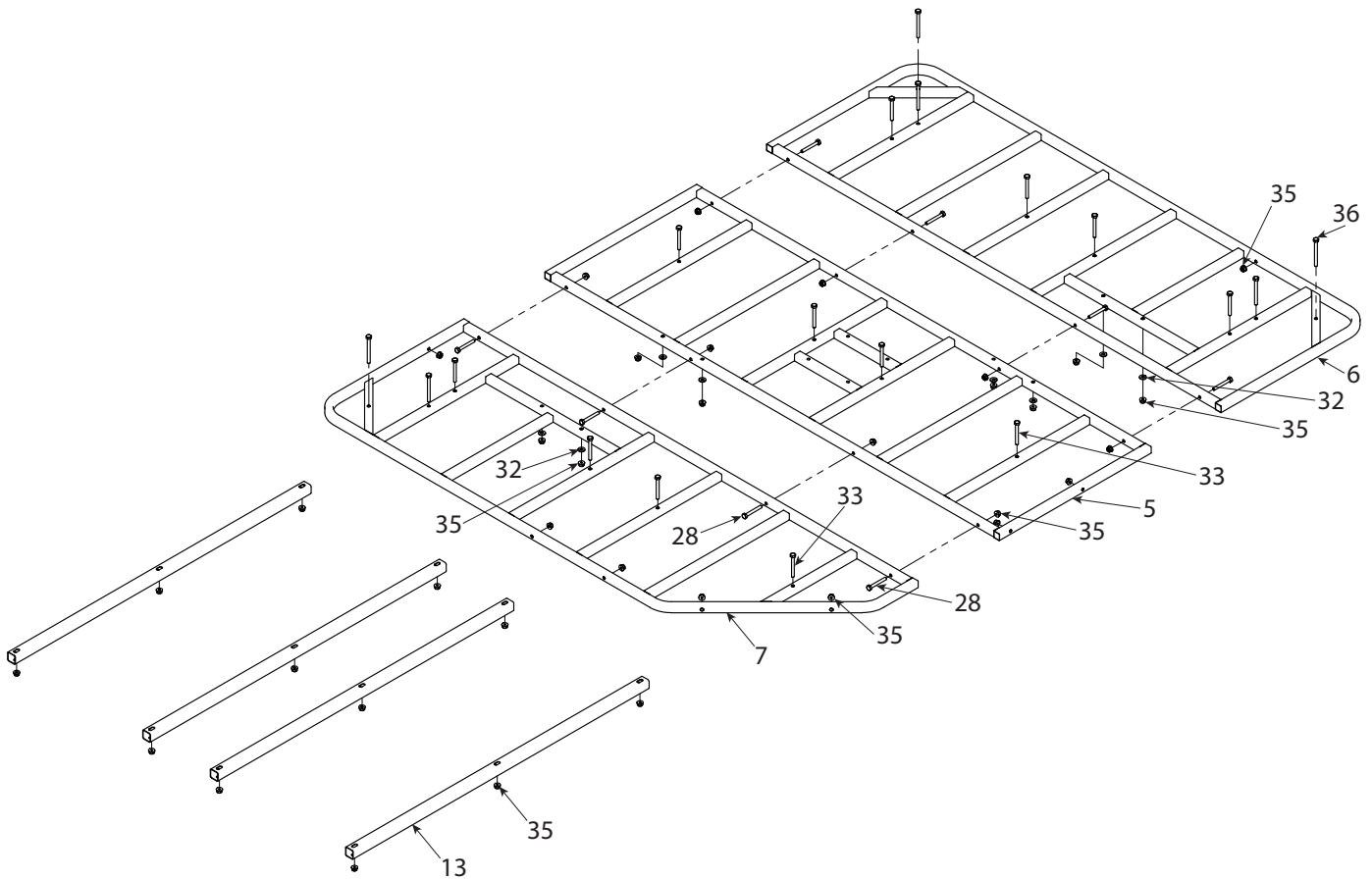


STEP 14

FINISHED TOWER

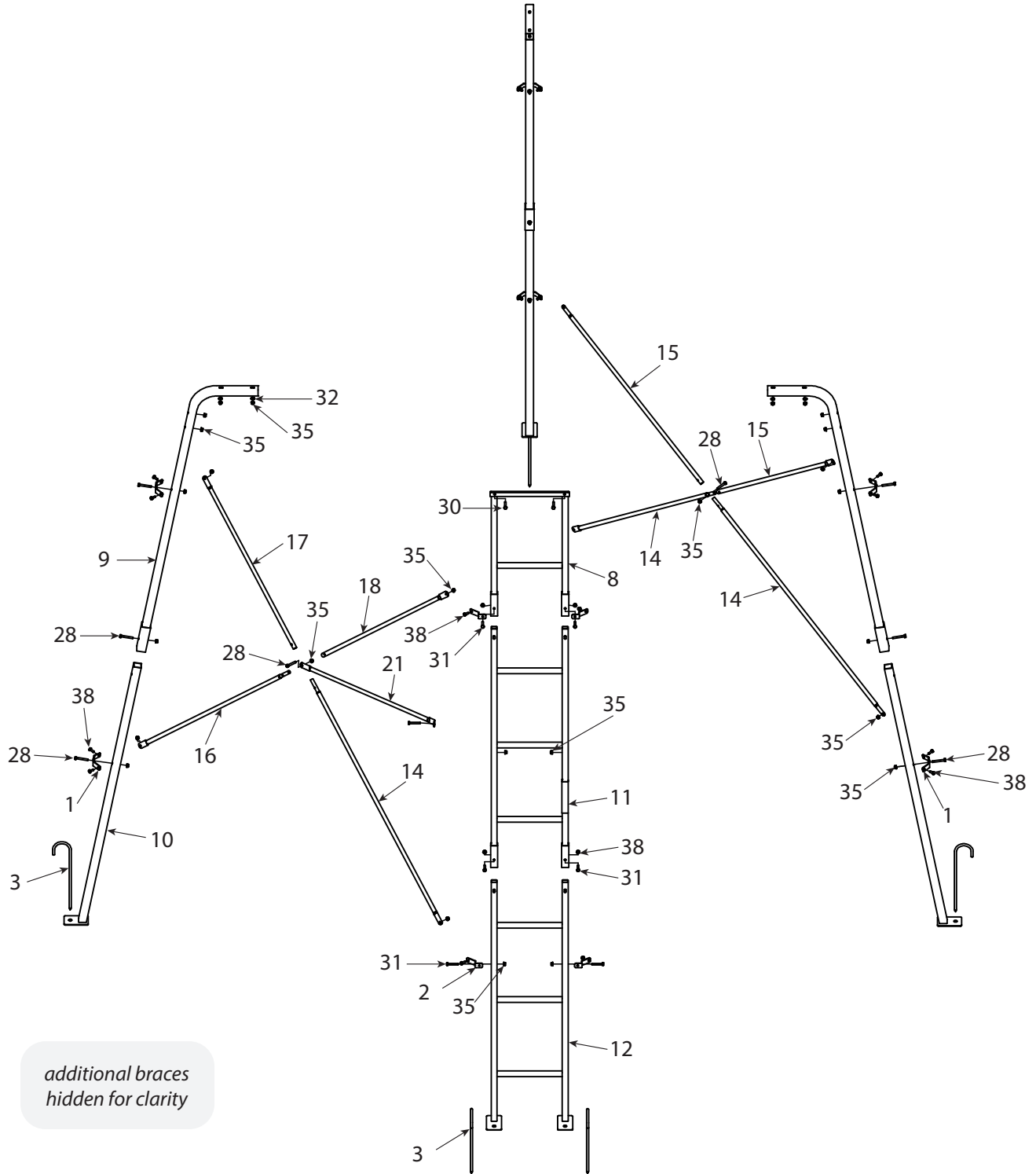


ILLUSTRATED PARTS BREAKDOWN - PLATFORM

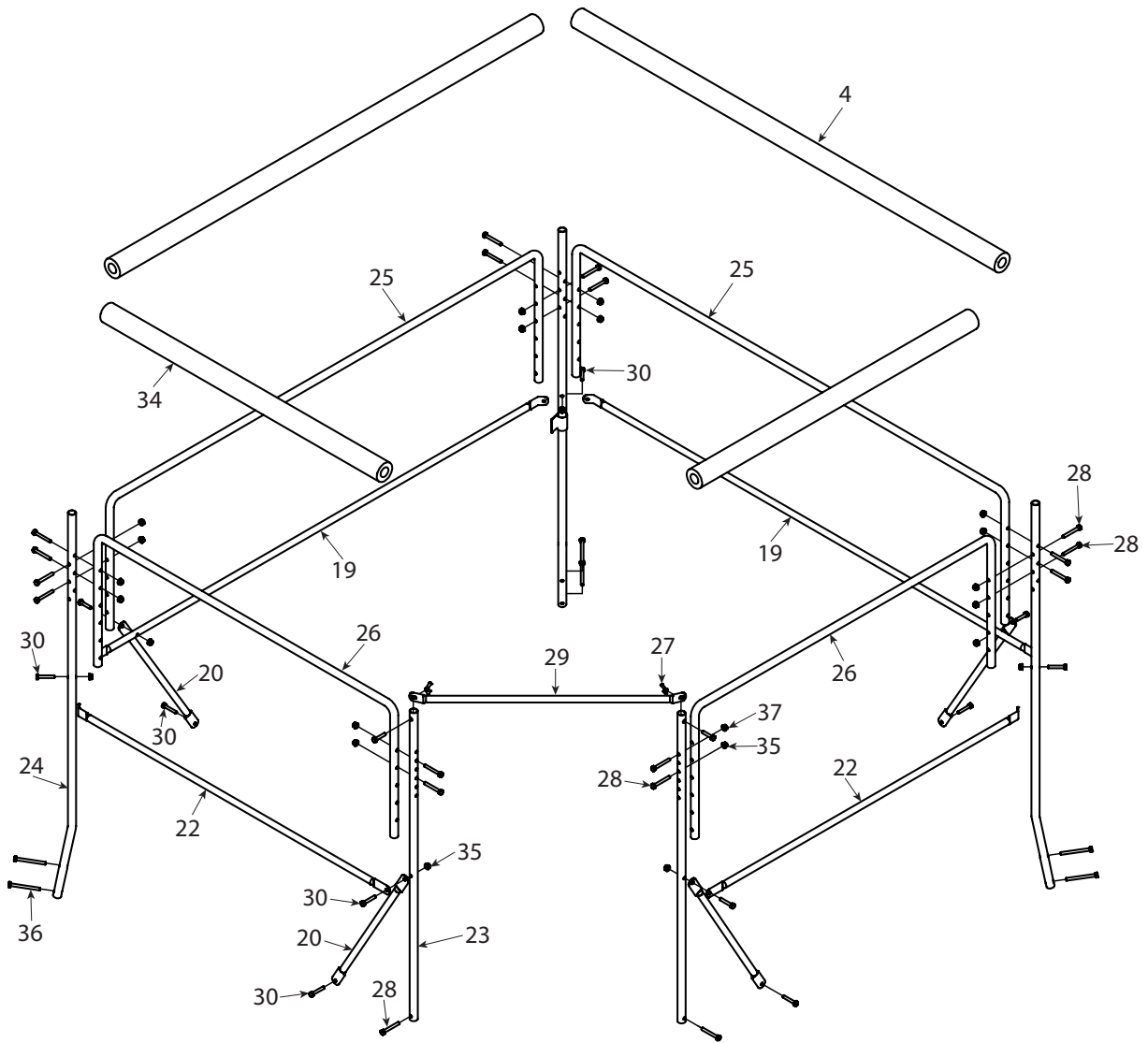


*mesh hidden
for clarity*

ILLUSTRATED PARTS BREAKDOWN - TOWER LEGS



ILLUSTRATED PARTS BREAKDOWN - SHOOTING RAIL



PARTS LIST

ITEM #	PART #	DESCRIPTION	QTY.
1	34558	BRACE TO LEG BRACKET	6
2	34559	BRACE TO LADDER BRACKET	4
3	34729	GROUND STAKE 15 IN	5
4	44326	SLEEVE W/ FOAM 55 IN	2
5	45753	PLATFORM MIDDLE	1
6	45754	PLATFORM REAR	1
7	45755	PLATFORM FRONT	1
8	45764	LADDER TOP	1
9	45766	LEG TO PLATFORM ATTACHMENT	3
10	45767	BOTTOM LEG	3
11	45769	LADDER MIDDLE	1
12	45770	LADDER BOTTOM	1
13	45771	PLATFORM BRACE	4
14	45772	CROSS BRACE MALE 46 IN	6
15	45773	CROSS BRACE FEMALE 37 IN	4
16	45775	CROSS BRACE MALE 41 IN	2
17	45777	CROSS BRACE FEMALE 32 IN	2
18	45778	CROSS BRACE FEMALE 34 IN	2
19	45788	SUPPORT BRACE LONG	2
20	45789	SUPPORT BRACE ANGLED	4
21	45790	LADDER BRACE	2
22	47676	SUPPORT BRACE SHORT	2
23	47677	VERTICAL ENTRY SUPPORT	2
24	47678	VERTICAL CORNER SUPPORT	3
25	47679	SHOOTING RAIL LONG	2
26	47680	SHOOTING RAIL SHORT	2
27	48042B	WING NUT	2
28	48153B	BOLT 1/4 X 2 IN	37
29	48202	DOOR CROSS BRACE	1
30	48240B	BOLT 1/4 X 1-1/2 IN	11
31	48250B	BOLT 1/4 X 1-3/4 IN	10

ITEM #	PART #	DESCRIPTION	QTY.
32	48261B	WASHER 1/4 X 5/8	6
33	48271B	BOLT 1/4 X 2-1/4 IN	12
34	48739	SLEEVE W/ FOAM 36 IN	2
35	48752B	NUT 1/4 IN	100
36	67540B	BOLT 1/4 X 2-3/4 IN	12
37	8909B	BOLT 1/4 X 1-1/4 IN	4
38	8930B	BOLT 1/4 X 3/4 IN	16

**NO EXTENSIONS AVAILABLE FOR THIS MODEL.
NEVER MODIFY OR EXCEED ORIGINAL STATED USE HEIGHT!**



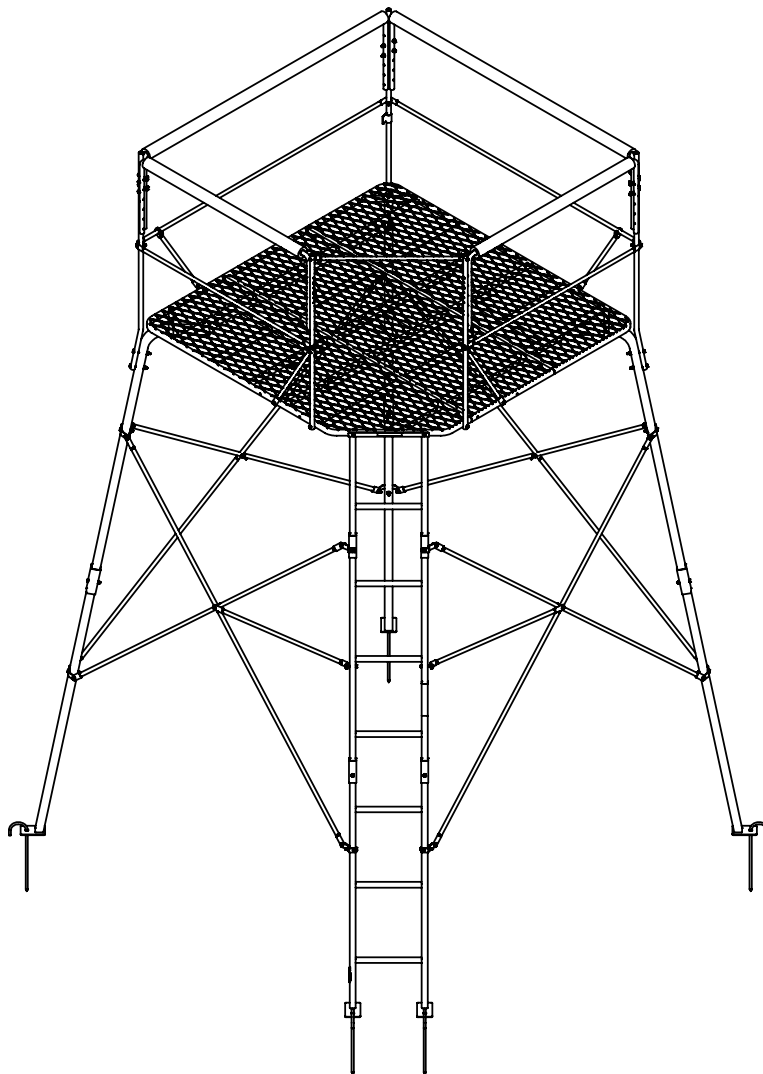
WE ARE HUNTERS

Rivers Edge® Treestands
A Division of Ardisam, Inc.
1730 Industrial Avenue, PO Box 666
Cumberland, WI 54829

Phone: 800-345-6007
www.HuntRiversEdge.com

All weights, specifications and features are approximate and are subject to change without notice. Due to continuous product improvement, product images may not be exact. Warning labels in some product images may have been removed for photography or demonstration purposes only. Props shown in photos not included. Some assembly may be required. Refer to product manual/instructions for safe setup and use.

NOUS SOMMES DES CHASSEURS



Manuel de l'utilisateur

**PLATEFORME
DE TIR 12 pi**

MODÈLE RE402T/RE402T2

Hauteur maximale

**3,65 m (12 pi) jusqu'au
rail de tir**

**Capacité nominale
maximale**

**227 kg (500 lb); pas plus de
136 kg (300 lb) par personne.**



ATTENTION

**LISEZ TOUTES LES INSTRUCTIONS ÉCRITES ET VISIONNEZ
CETTE VIDÉO DE SÉCURITÉ AVANT L'UTILISATION!**



**VISIONNEZ CETTE VIDÉO DE
SÉCURITÉ AVANT L'UTILISATION!**

Lisez ➔



ou Visitez ➔

www.standsafety.com/r5

Lisez le code QR avec un téléphone intelligent,
une tablette ou un appareil semblable.

OU

Entrez l'adresse du site web dans votre
navigateur pour visionner une vidéo importante
sur la sécurité avant d'utiliser ce produit.

SÉCURITÉ DU TRÉPIED

PRODUCT MEETS
INDUSTRY STANDARDS
RECOGNIZED BY



PARTICIPATING MEMBER

Pièces détachées en ligne à
www.HuntRiversEdge.com

© 2025 Ardisam, Inc.
Tous droits réservés

Réf. : 48959
C/N : 49103
REV1 : 27/01/2025

INTRODUCTION

Les treestands Rivers Edge® sont conçus spécifiquement à l'intention du chasseur. Nous vous remercions d'avoir acheté un de nos treestands de renommée mondiale. Veillez à suivre ces instructions simples et votre treestand offrira de nombreuses années de service sans problème. Il est conseillé de conserver les instructions dans un endroit sûr et de les relire au moins une fois par an.

En cas de quelconques problèmes avec le produit, **NE PAS le renvoyer au revendeur**; communiquer avec le service après-vente Rivers Edge® au 800-345-6007 pour assistance.

SOMMAIRE

Introduction/Garantie	26
Avertissements.....	27-29
Calendrier de contrôle et d'entretien.....	29
Identification de la visserie	30
Instructions d'assemblage	32-42
Mirado assemblé	43
Illustration des pièces détachées	44-46
Nomenclature des pièces.....	47

GARANTIE

Ardisam, Inc. offre une garantie d'un an sur tous les composants du treestand. Ces garanties s'appliquent au propriétaire initial muni d'une preuve d'achat. Ces garanties prennent effet à la date d'achat par le premier acheteur au détail et s'étendent sur la période indiquée ci-dessus. Ces garanties s'appliquent à des produits qui ne sont pas modifiés, maltraités ou utilisés d'une façon non conforme à l'usage prévu du produit. Une légère décoloration est normale et n'est pas couverte par la garantie. Toute corrosion des surfaces peintes résultant de l'enlèvement ou de l'endommagement de la peinture n'est pas non plus couverte par la garantie. Ardisam, Inc. n'offre aucune autre prestation garantie explicite ou implicite. Les produits pour lesquels des travaux de garantie ont été approuvés doivent être envoyés directement à Ardisam, Inc. et exécutés par Ardisam, Inc. **Pour recourir aux services de réparation ou de remplacement sous garantie, l'accord préalable d'Ardisam, Inc. doit être obtenu avant l'envoi du colis en appelant notre service après-vente au 800-345-6007 ou en écrivant à : Ardisam, Inc., P.O. Box 755, 1730 Industrial Avenue, Cumberland, WI 54829 (USA) pour obtenir un numéro d'autorisation de renvoi de matériel (RMA#).** Tous les articles doivent être expédiés en port payé. Ardisam, Inc., à son entière discrétion, réparera ou remplacera sans frais tout produit qui remplit les conditions énoncées ci-dessus. Ardisam, Inc. se réserve le droit de modifier les modèles, les caractéristiques et les prix sans préavis.

Ce matériel a été fabriqué dans le respect de strictes règles de qualité et de sécurité. Comme pour tout matériel de ce type, il est obligatoire et impératif de comprendre complètement le mode d'emploi pour assurer la sécurité de son utilisateur. Ardisam, Inc. décline toute responsabilité pour les dommages matériels ou corporels subis à la suite d'une utilisation inappropriée ou d'une modification de l'un quelconque de ses produits ou résultant de toute utilisation non conforme à l'usage prévu du produit. Ardisam, Inc. décline toute responsabilité pour les dommages corporels subis parce que le mode d'emploi n'a pas été lu ou respecté. Tout malentendu ou toute question concernant les produits ou leur utilisation doivent être adressés à Ardisam, Inc. avant toute utilisation. Le propriétaire a pour entière responsabilité de vérifier régulièrement le bon état du produit, sa bonne installation et l'absence de conditions susceptibles de compromettre la sécurité finale du produit. **Le propriétaire a pour responsabilité de comprendre et de respecter la capacité de poids nominale du produit sur le terrain et ne doit jamais dépasser sa capacité nominale maximale.** Ardisam, Inc. décline toute responsabilité pour tout problème de fonctionnement ou toute blessure résultant de l'usure normale ou de dommages causés par une mauvaise utilisation, un mauvais entretien, une négligence ou un accident. Ce produit, s'il est utilisé de façon sécuritaire aux fins prévues, fonctionnera sans problème pendant toute sa durée de vie. Nous espérons que vous apprécierez la qualité de nos produits pendant de nombreuses années et vous souhaitons une bonne chasse.

*Ce produit est conçu pour être utilisé avec les produits Rivers Edge® uniquement. *L'utilisation de structures autres que les produits Rivers Edge® invalide la garantie et tout recours en responsabilité contre le fabricant Ardisam, Inc.*

ARRÊT
LIRE ET COMPRENDRE LES MISES EN GARDE SUIVANTES AVANT D'ASSEMBLER
MODÈLE RE402T/RE402T2
HAUTEUR MAXIMALE UTILE - 3,65 M (12 PI) JUSQU'AU RAIL DE TIR
CAPACITÉ MAXIMALE - DEUX (2) PERSONNES
LIMITE DE POIDS TOTAL - 227 KG (500 LB) (136 KG / 300 LB MAX. PAR PERSONNE)

AVERTISSEMENT

- ▲ Ce produit est soumis à de strictes restrictions de taille et de poids. **Ne pas** utiliser ce produit en cas de dépassement de la limite de poids total. On notera que le poids total comprend le ou les utilisateurs et tout leur matériel.


AVERTISSEMENT

- ▲ **Lorsqu'on utilise, qu'on monte ou qu'on démonte un treestand, un trépied ou un mirador pour la chasse, une chute est possible à tout moment après avoir quitté le sol, pouvant provoquer des blessures ou la mort.**
- ▲ **Lire et comprendre** toutes les mises en garde et instructions du fabricant et utiliser tous les dispositifs de sécurité prévus par le fabricant. Pour écarter les risques de blessure ou de mort, adresser toute question directement au fabricant.
- ▲ **Ne jamais** dépasser la limite de poids total du treestand, trépied ou mirador.
- ▲ **Ne jamais** utiliser, monter ou démonter un treestand, un trépied ou un mirador lors d'intempéries telles que la pluie, des éclairs, une tempête de vent ou du verglas. Interrompre la chasse et redescendre si les conditions météo se dégradent.
- ▲ **Ne jamais** utiliser, monter ou démonter un treestand, un trépied ou un mirador après avoir consommé des drogues (même des médicaments sur ordonnance) ou de l'alcool.
- ▲ **Ne jamais** utiliser, monter ou démonter un treestand, un trépied ou un mirador en cas de sensation de malaise, de nausées ou de vertiges, en cas d'état de santé antérieur susceptible de causer un problème, notamment une affection cardiaque, des blocages articulaires, une fusion vertébrale, etc. ou si on n'est pas bien reposé.
- ▲ **Ne jamais** dormir dans le poste d'affût.
- ▲ **Ne jamais** utiliser une branche d'arbre en tant que support.
- ▲ **Ne jamais** sauter sur un treestand, un trépied ou un mirador pour bien l'asseoir contre l'arbre ou sur le sol.
- ▲ Ne hisser un arc, un sac à dos, une arme à feu ou tout autre matériel qu'après s'être installé en toute sécurité dans le treestand, trépied ou mirador. Une arme à feu devra être hissée déchargée, avec la chambre ouverte et la bouche du canon vers le bas.
- ▲ **Toujours** informer quelqu'un du lieu de chasse, de l'emplacement du treestand, trépied ou mirador et de la durée prévue de la chasse.


AVERTISSEMENT

- ▲ Un moyen de signalisation tel qu'un téléphone portable, une radio, un sifflet, une fusée de signalisation ou une balise de localisation personnelle (BLP) devra être porté en permanence sur soi et facilement accessible.
- ▲ **Ne jamais** laisser un trépied ou mirador exposé aux éléments pendant plus de deux semaines pour éviter qu'il soit endommagé par les intempéries ou les animaux.
- ▲ Vérifier le treestand, trépied ou mirador et tous les dispositifs de sécurité avant chaque utilisation et **ne pas** entreposer un treestand ou une plateforme autoportante à l'extérieur.
- ▲ **Ne jamais** modifier le treestand, trépied ou mirador de quelque façon que ce soit, par des réparations, le remplacement de pièces ou autres altérations, sauf sur autorisation écrite explicite du fabricant.
- ▲ S'entraîner à monter, à régler, à démonter et à utiliser le treestand, trépied ou mirador au niveau du sol avant de l'utiliser en hauteur. Étudier le nouveau poste d'affût pour se familiariser avec toutes ses caractéristiques et sa conception. Cela permet de vérifier que le produit a été fabriqué, assemblé et installé correctement.
- ▲ Il est conseillé de conserver les instructions (écrites ou vidéo) dans un endroit sûr et de les revoir au moins une fois par an. Il relève de la responsabilité du propriétaire du treestand, trépied ou mirador de fournir des instructions complètes à toute personne qui emprunte ou achète le treestand, trépied ou mirador.
- ▲ Lors du montage, du démontage ou du déplacement d'un trépied ou d'un mirador, veiller à respecter rigoureusement les instructions du fabricant pour déterminer le nombre de personnes nécessaires pour exécuter ces tâches.
- ▲ **Toujours** prévoir au moins quatre (4) personnes pour monter ou démonter un trépied ou un mirador.
- ▲ Les trépieds et miradors ne sont pas fournis avec système antichute ou harnais intégral conforme aux normes de l'industrie pour les treestands. Les systèmes antichute/harnais intégraux conçus pour les treestands doivent avoir une longe qui s'ancore ou s'attache à l'arbre. Ne jamais attacher un système antichute/harnais intégral à un trépied ou à un mirador ou à une quelconque partie de sa structure, car cela peut créer une situation dangereuse. Le non-respect de cette mise en garde peut entraîner des blessures graves ou la mort.
- ▲ Avant d'installer le trépied ou le mirador, inspecter la surface du sol. Le sol doit être ferme, plat et sans débris. Un sol meuble, en pente ou jonché de débris peut rendre la plate-forme instable et présenter un danger d'inclinaison, de glissement, voire de basculement. Ne jamais tenter de grimper sur un trépied ou un mirador qui penche ou est instable.



LIRE ET COMPRENDRE LES MISES EN GARDE SUIVANTES AVANT LA MISE EN PLACE ET L'UTILISATION

AVERTISSEMENT

- ▲ **Ne jamais** ériger un trépied ou un mirador à proximité de lignes électriques aériennes ou de conduites enterrées susceptibles de provoquer une électrocution, une explosion ou un incendie. Toujours communiquer avec les autorités compétentes avant d'installer une structure sur ou à proximité d'emprises ou conduites souterraines de service public.
- ▲ Avant de quitter le sol, toujours vérifier le raccordement de chaque section d'échelle à chaque fois qu'on se sert du poste d'affût. Si des sections d'échelle se séparent, ne pas utiliser le treestand.
- ▲ Dans le cas de trépieds et miradors conçus pour deux personnes ou plus, ne jamais laisser plus d'une personne à la fois grimper ou descendre l'échelle. S'assurer que la première personne est complètement hors de l'échelle ou de la plateforme d'accès et dans une position sûre sur le mirador ou sur le sol avant que la deuxième personne s'engage sur l'échelle.
- ▲ **Toujours** maintenir trois (3) points de contact de l'ascension d'un trépied ou d'un mirador. Un bon contact en trois points signifie qu'il y a à tout moment deux pieds et une main ou un pied et deux mains posés sur un échelon de l'échelle. Ne jamais se pencher en arrière en grim pant, car cela peut déstabiliser le trépied ou le mirador.
- ▲ Les trépieds et les miradors doivent être correctement fixés ou ancrés au sol conformément aux instructions du fabricant. Éviter d'utiliser un trépied ou un mirador dans des conditions venteuses, car il pourrait basculer et provoquer des dégâts matériels et des blessures graves, voire mortelles.
- ▲ Inspecter le trépied ou mirador avant chaque utilisation. Lorsqu'il est exposé à la pluie, au soleil, aux variations de température, à la neige et à des conditions météo extrêmes pendant des durées prolongées, ce produit peut subir des dégradations dangereuses non visibles à l'œil nu. Ne pas tenter d'utiliser un produit si on constate ou qu'on soupçonne qu'il est endommagé. Pour sa propre sécurité et celle des autres, le produit doit être mis hors service immédiatement.
- ▲ **Ne jamais** dépasser la hauteur maximale d'utilisation indiquée.

AVERTISSEMENT

- ▲ **Ne pas** utiliser ce produit avant d'avoir visionné la vidéo de sécurité en ligne, de l'avoir comprise et d'avoir mis en pratique les techniques de chasse sécuritaire présentées dans cette vidéo. La vidéo est accessible au moyen du code QR ou de l'URL figurant sur la couverture de ce manuel.
- ▲ Lire et suivre les instructions de contrôle et d'entretien avant chaque utilisation. Remplacer immédiatement tout composant en état douteux par des pièces de rechange d'origine Rivers Edge®.
- ▲ **Ne pas** écraser le tube lors du serrage des boulons! Veiller à identifier et à se familiariser avec toutes les pièces avant de commencer. Il y a un tableau d'identification de la visserie au dos.
- ▲ Révérifier les étapes de l'assemblage pour s'assurer d'avoir correctement assemblé ce produit.
- ▲ **Ne jamais** utiliser un produit qui n'a pas été entretenu ou inspecté correctement - Votre vie en dépend!
- ▲ Ne pas placer ce produit sur un sol en pente, inégal ou mouillé. Il pourrait basculer et provoquer des blessures graves, voire mortelles.
- ▲ Le sol doit ne doit pas être rocailleux ni jonché de débris afin que les piquets puissent être enfoncés dans le sol par les trous prévus à cet effet dans les semelles. Cela empêchera le mirador de basculer en cas de vents violents.
- ▲ Tout contact avec des conduites enterrées peut provoquer des blessures graves, voire mortelles! Avant de creuser, toujours communiquer avec Info-Excavation ou le système d'appel local afin d'écartier les risques de blessures, d'interruptions de service, d'accident écologique ou de retards dans les projets.

AVERTISSEMENT

- ▲ Utiliser **uniquement** des pièces Rivers Edge® homologuées pour éviter des blessures graves, voire mortelles.



AVERTISSEMENT

- ▲ S'assurer qu'une seule personne monte ou descende de l'échelle à la fois. S'assurer que la première personne est complètement hors de l'échelle et dans une position sûre sur la plateforme du mirador ou sur le sol avant que la deuxième personne s'engage sur l'échelle.
- ▲ **Ne jamais** avoir deux personnes du même côté de la plateforme. Maintenir le poids uniformément réparti sur la plateforme.
- ▲ **Toujours** être conscient de la position de l'autre personne. Faire preuve d'une extrême prudence pour utiliser des armes afin d'éviter les blessures.
- ▲ **Toujours** s'incliner vers l'avant pour grimper sur une échelle ou une aide à l'escalade.
- ▲ **Toujours** porter des chaussures adaptées lorsqu'on utilise une plateforme autoportante. Un bon brodequin de sécurité antidérapant est important pour la sécurité personnelle. Veiller tout particulièrement à éviter que les lacets des chaussures n'accrochent le poste d'affût ou l'un de ses composants (pousser les lacets dans les chaussures avant de grimper).



AVERTISSEMENT

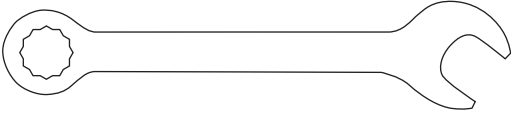
- ▲ Révérifier les étapes de l'assemblage pour s'assurer d'avoir correctement assemblé ce produit.
- ▲ Étudier ce nouveau produit pour se familiariser avec toutes ses caractéristiques et sa conception. Conserver ces instructions pour toute référence ultérieure.
- ▲ **S'assurer** que la zone d'assemblage est dégagée, plane, de niveau et sèche, sans lignes électriques à proximité!
- ▲ **Toujours** prévoir au moins quatre (4) personnes pour monter ou démonter un trépied ou un mirador.
- ▲ **Ne pas** utiliser un quelconque véhicule motorisé pour lever ou assembler cette plateforme autoportante. Cela risquerait d'endommager inutilement le produit. Suivre les instructions du fabricant pour le redresser.
- ▲ Certains modèles sont équipés d'un rail de tir. **Ne jamais** se pencher contre le rail de tir, s'appuyer dessus ni s'asseoir dessus. Il est conçu en tant qu'appui de tir uniquement! Sur les modèles équipés d'un rail de tir non fixe, veiller à bien le relever ou le pivoter sur le côté lorsqu'on monte ou qu'on descend de l'échelle.

CONTRÔLE ET ENTRETIEN

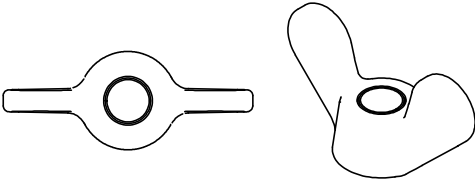
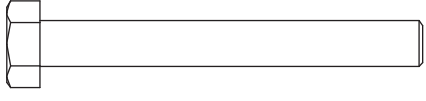
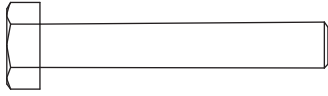

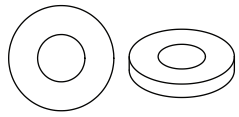

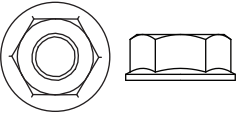
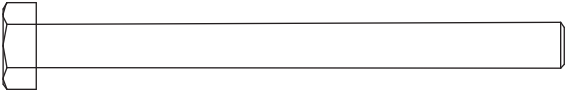
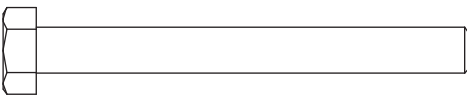
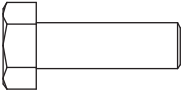
AVANT CHAQUE UTILISATION, PROCÉDER COMME SUIT :

- Contrôler l'état général et l'usure de toutes les sangles, filins, cordages et courroies.
- Vérifier que les câbles et leurs extrémités ne sont pas endommagés ni pincés.
- Vérifier que la visserie et les éléments de chaîne ne sont pas endommagés.
- Vérifier que le produit ne présente pas de dommages structurels (s'il y en a, appeler le service après-vente).
- Vérifier que toutes les vis et tous les écrous sont bien serrés.
- Vérifier qu'il ne manque aucune pièce.
- Lubrifier tous les pivots et les assemblages coulissants avec du graphite en poudre, de la vaseline ou du silicone en aérosol pour éviter le bruit, l'usure et la rouille.
- Contrôler l'ensemble du produit pour vérifier l'absence de rouille, de corrosion, de fissures, de dommages par le gel ou par une chaleur excessive et de pourriture susceptibles de nuire à la sécurité du produit. Mettre tout produit douteux au rebut.
- Contrôler l'ensemble du produit pour vérifier l'absence de dommages structurels; accorder attention particulière à tous les assemblage soudés (renvoyer tout produit endommagé à l'usine pour réparation ou le mettre au rebut).
- À l'aide des bonnes clés, contrôler tous les assemblages boulonnés et resserrer les vis et écrous comme il se doit. Attention à ne pas écraser le tube lors du serrage!
- Inspecter et vérifier le bon fonctionnement de tous les câbles, extrémités de câbles, filins, cordes, sangles et mécanismes à courroie ou à chaîne. Remplacer par des pièces neuves d'origine tout élément ou assemblage présentant des signes d'usure, de détérioration, de pincement ou de mauvais fonctionnement.
- Contrôler le siège. Remplacer par un siège neuf d'origine tout siège présentant des signes de dommage structurel ou d'usure.
- Contrôler toute la visserie pour vérifier qu'elle n'est pas usée ni endommagée et qu'il ne manque aucune pièce.
- Ne jamais modifier le poste d'affût de quelque façon que ce soit, par des réparations, le remplacement de pièces ou autres altérations par l'ajout ou la fixation de quoi que ce soit, sauf sur autorisation écrite explicite du fabricant.

OUTILLAGE NÉCESSAIRE (NON FOURNI)

-	-	CLÉS DE 7/16 PO		2
---	---	-----------------	--	---

VISSERIE

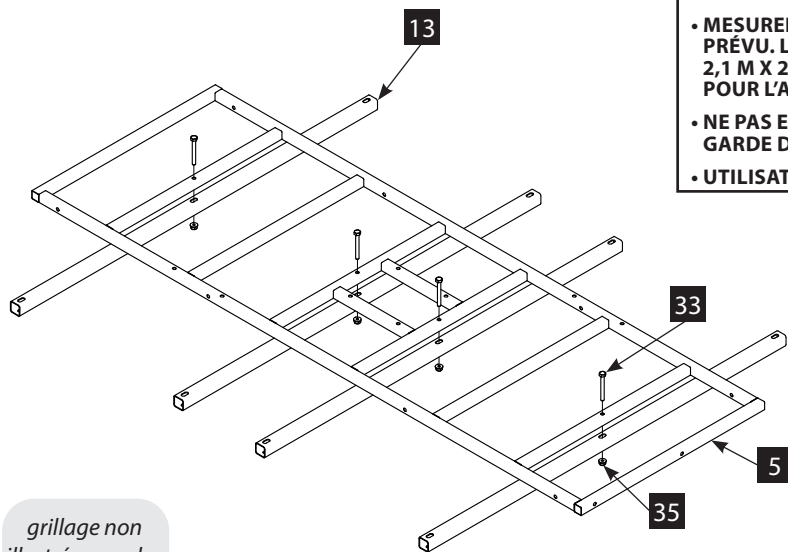
Article	N° réf.	Description	Illustration	Qté
27	48042B	ÉCROU PAPILLON 1/4 PO		2
28	48153B	VIS 1/4 X 2 PO		37
30	48240B	VIS 1/4 X 1-1/2 PO		11
31	48250B	VIS 1/4 X 1-3/4 PO		10
32	48261B	RONDELLE 1/4 PO		6
33	48271B	VIS 1/4 X 2-1/4 PO		12
35	48752B	ÉCROU 1/4 PO		100
36	67540B	VIS 1/4 X 2-3/4 PO		12
37	8909B	VIS 1/4 X 1-1/4 PO		4
38	8930B	VIS 1/4 X 3/4 PO		16

PAGE LAISSÉE BLANCHE INTENTIONNELLEMENT

INSTRUCTIONS D'ASSEMBLAGE

CONSEIL D'ASSEMBLAGE IMPORTANT : Ne serrer aucun ensemble vis et écrou complètement avant que cela soit indiqué dans les instructions. Serrer au doigt puis d'un tour supplémentaire à la clé seulement! Cela maintient provisoirement le contre-écrou sur la vis tout en permettant le bon alignement de toutes les pièces.

ÉTAPE 1



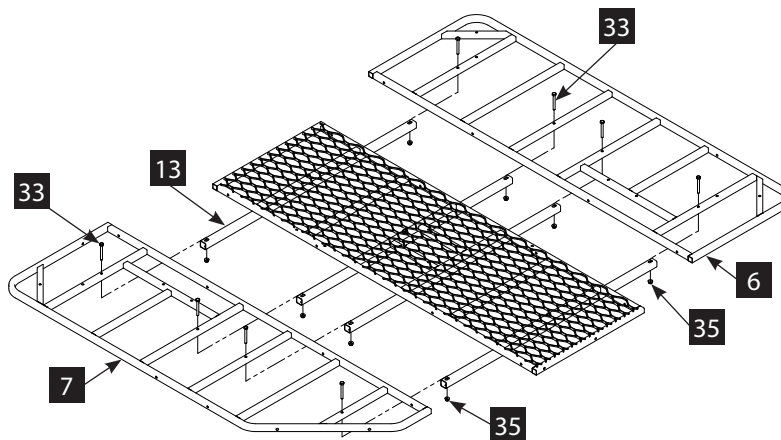
grillage non
illustré pour plus
de clarté

- TOUS L'ASSEMBLAGE DOIT ÊTRE EFFECTUÉ COMPLÈTEMENT DANS CET ORDRE AVANT UTILISATION.
- MESURER L'EMPLACEMENT D'ASSEMBLAGE ET D'UTILISATION PRÉVU. L'EMPREINTE AU SOL DU PRODUIT ASSEMBLÉ EST DE 2,1 M X 2,1 M (7 PI X 7 PI). PRÉVOIR UN ESPACE SUPPLÉMENTAIRE POUR L'ASSEMBLAGE.
- NE PAS ENLEVER LES ÉTIQUETTES OU AUTOCOLLANTS DE MISE EN GARDE DU PRODUIT, ILS SONT LÀ POUR DES RAISONS DE SÉCURITÉ.
- UTILISATION RECOMMANDÉE PAR UN ADULTE SEULEMENT.

1. Attacher quatre traverses de plateforme (13) à la section de plateforme du milieu (5) avec une vis de 1/4 x 2-1/4 po (33) et un écrou (35) pour chaque traverse.

2. Attacher la section de plateforme avant (7) aux quatre traverses de plateforme (13) avec une vis de 1/4 x 2-1/4 po (33) et un écrou (35) pour chaque traverse.

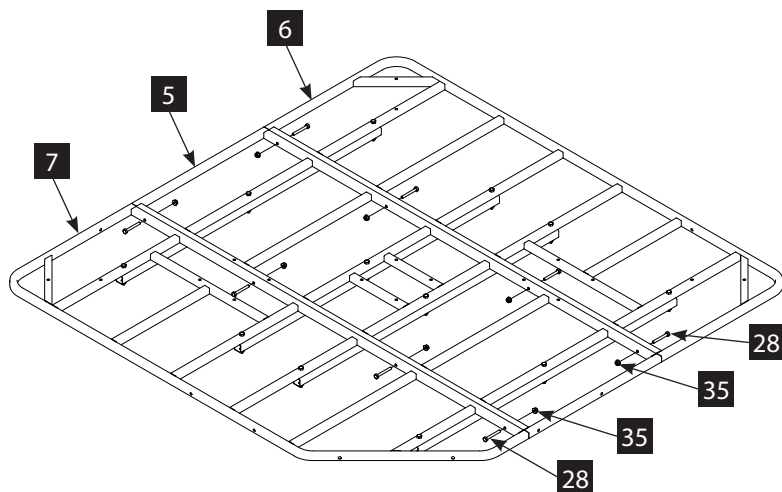
Attacher la section de plateforme arrière (6) aux quatre traverses de plateforme (13) avec une vis de 1/4 x 2-1/4 po (33) et un écrou (35) pour chaque traverse.



grillage non
illustré pour plus
de clarté

ÉTAPE 2

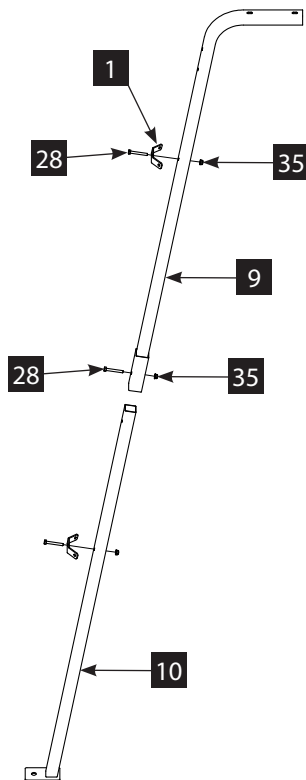
ÉTAPE 3



3. Attacher les trois sections de plateforme (5, 6, 7) l'une à l'autre avec huit vis de 1/4 x 2 po (28) et des écrous (35).

*grillage non
illustré pour plus
de clarté*

ÉTAPE 4



4. Assembler les trois pieds en attachant un montant supérieur (9) à chaque montant inférieur (10) avec une vis de 1/4 x 2 po (28) et un écrou (35) sur chaque pied.

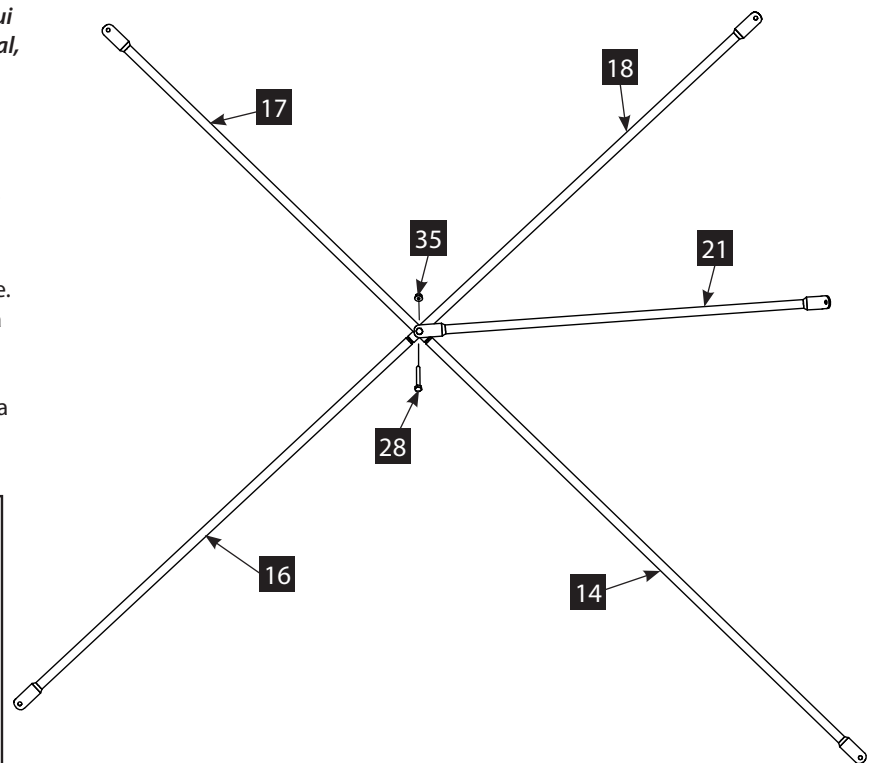
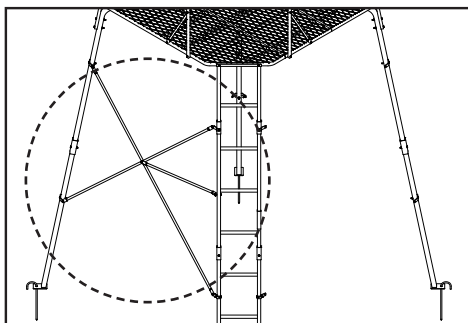
Monter deux attaches pied-contre-fiche (1) à chaque pied avec deux vis de 1/4 x 2 po (28) et deux écrous (35).

Serrer fermement toute la visserie à ce stade.

Commencer par organiser toutes les contrefiches qui portent une étiquette numérotée. Il y en a 18 au total, avec les numéros 14 à 18 et 21.

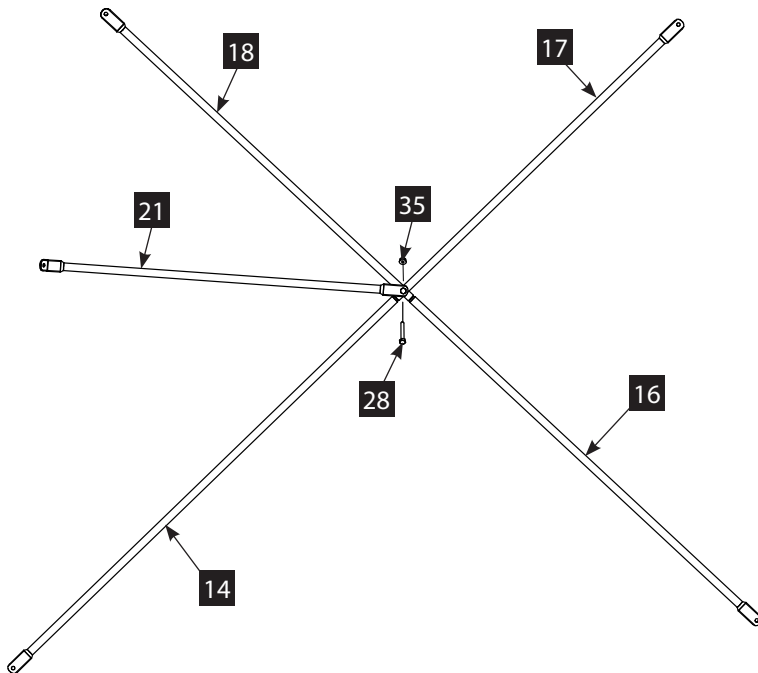
- 5A. Prendre une de chacune des contrefiches suivantes : 14, 16, 17, 18 et 21 pour assembler le croisillon d'échelle **GAUCHE**. Insérer la contrefiche (14) dans la contrefiche (17). Insérer ensuite la contrefiche (16) dans la contrefiche (18). La contrefiche (17) et la contrefiche (18) constituent la partie supérieure de l'assemblage. Tout en respectant cette orientation, attacher la contrefiche (21), les contrefiches (14, 17) et les contrefiches (16, 18) ensemble avec une vis de 1/4 x 2 po (28) et un écrou (35). Ce croisillon sera utilisé sur le côté gauche de l'échelle.

CÔTÉ GAUCHE



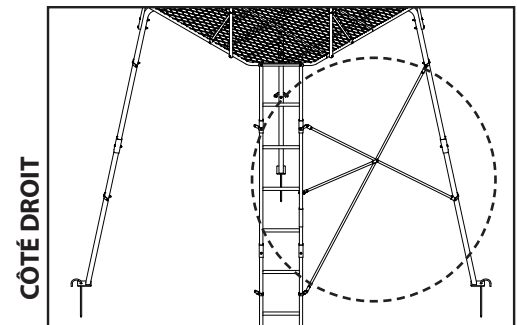
ÉTAPE 5A

ÉTAPE 5B



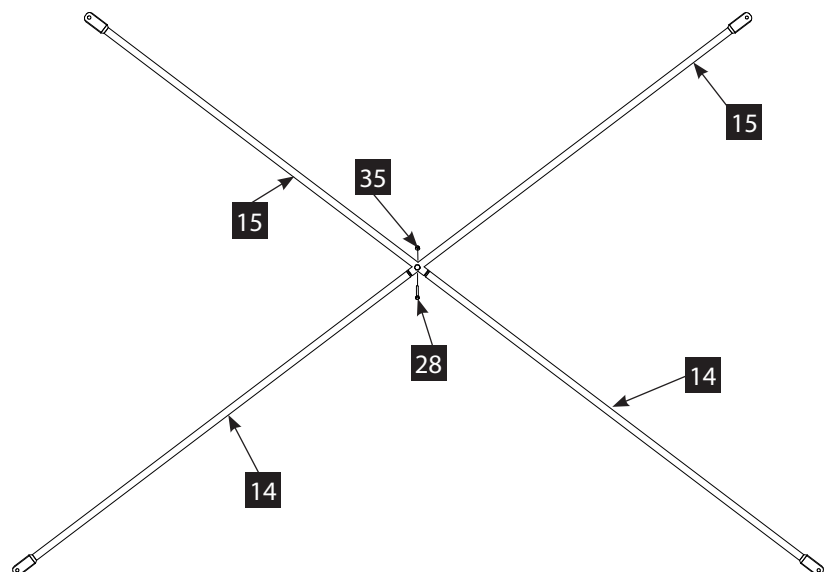
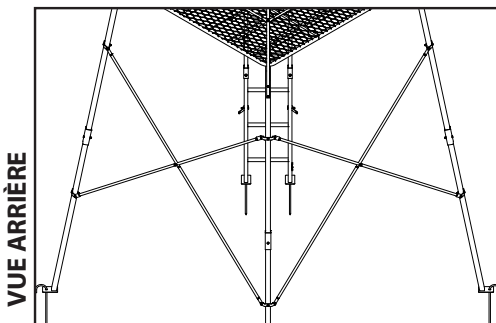
5B. Prendre une de chacune des contrefiches suivantes : 14, 16, 17, 18 et 21 pour assembler le croisillon d'échelle **DROIT**. Insérer la contrefiche (14) dans la contrefiche (17). Insérer ensuite la contrefiche (16) dans la contrefiche (18). La contrefiche (17) et la contrefiche (18) constituent la partie supérieure de l'assemblage. Tout en respectant cette orientation, attacher la contrefiche (21), les contrefiches (14, 17) et les contrefiches (16, 18) ensemble avec une vis de 1/4 x 2 po (28) et un écrou (35). Ce croisillon se montera sur le côté droit de l'échelle et doit être le symétrique du croisillon assemblé à l'étape 5A.

Serrer fermement toute la visserie à ce stade.



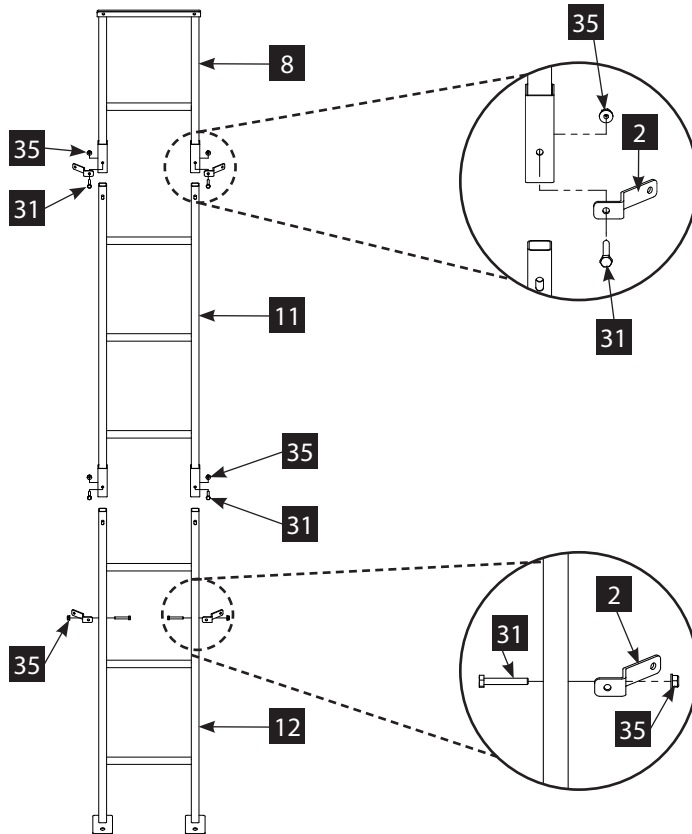
6. Prendre deux contrefiches (14) et deux contrefiches (15) pour former un croisillon **ARRIÈRE**. Insérer une contrefiche (14) dans chaque contrefiche (15). Les contrefiches (15) constituent la partie supérieure de l'assemblage. Tout en respectant cette orientation, attacher les deux contrefiches assemblées (14, 15) l'une à l'autre avec une vis de 1/4 x 2 po (28) et un écrou (35). Répéter cette étape pour assembler le deuxième croisillon arrière.

Serrer fermement toute la visserie à ce stade.



ÉTAPE 6

ÉTAPE 7



7. Pour assembler l'échelle, insérer d'abord les sections d'échelle du haut, du milieu et du bas (8, 11, 12) l'une dans l'autre.

Monter une attache échelle-contrefiche (2) de chaque côté de la section d'échelle du haut (6) avec une vis de 1/4 x 1-3/4 po (31) et un écrou (35).

Attacher la section d'échelle du milieu (11) à la section d'échelle du bas (12) avec deux vis de 1/4 x 1-3/4 po (31) et deux écrous (35). Monter une attache échelle-contrefiche (2) de chaque côté de la section d'échelle du bas (12) avec une vis de 1/4 x 1-3/4 po (31) et un écrou (35).

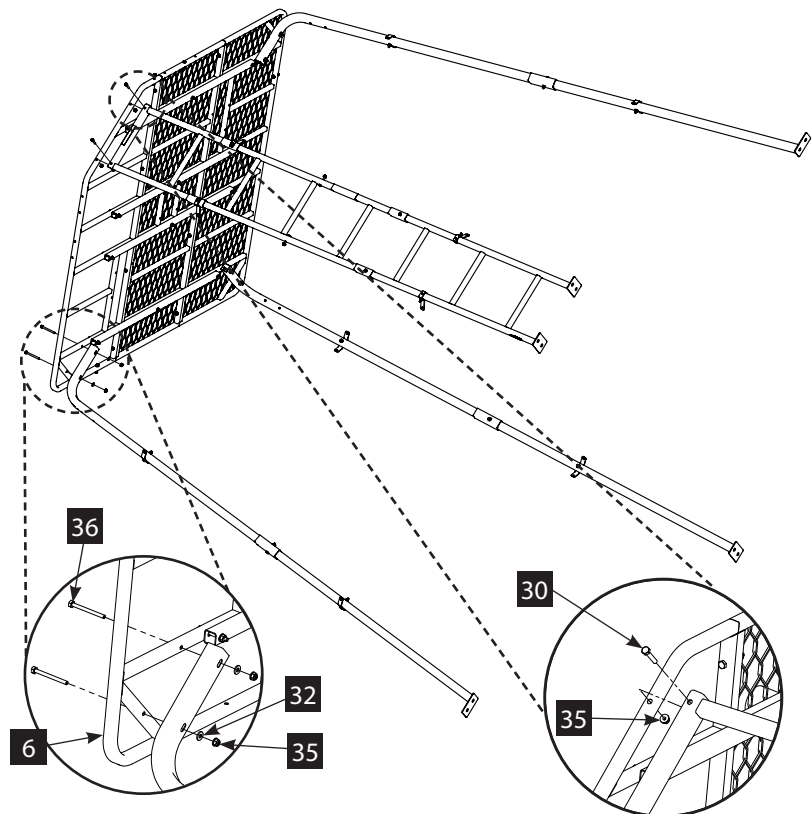
Serrer fermement toute la visserie à ce stade.

8. Basculer la plateforme sur sa partie arrière (6) et attacher les trois pieds à la plateforme avec deux vis de 1/4 x 2-3/4 po (36), deux rondelles en acier de 1/4 po (32) et deux écrous (35) sur chaque pied.

Attacher l'échelle à la plateforme avec deux vis de 1/4 x 1-1/2 po (30) et écrous (35).

Serrer fermement toute la visserie à ce stade.

grillage non illustré pour plus de clarté

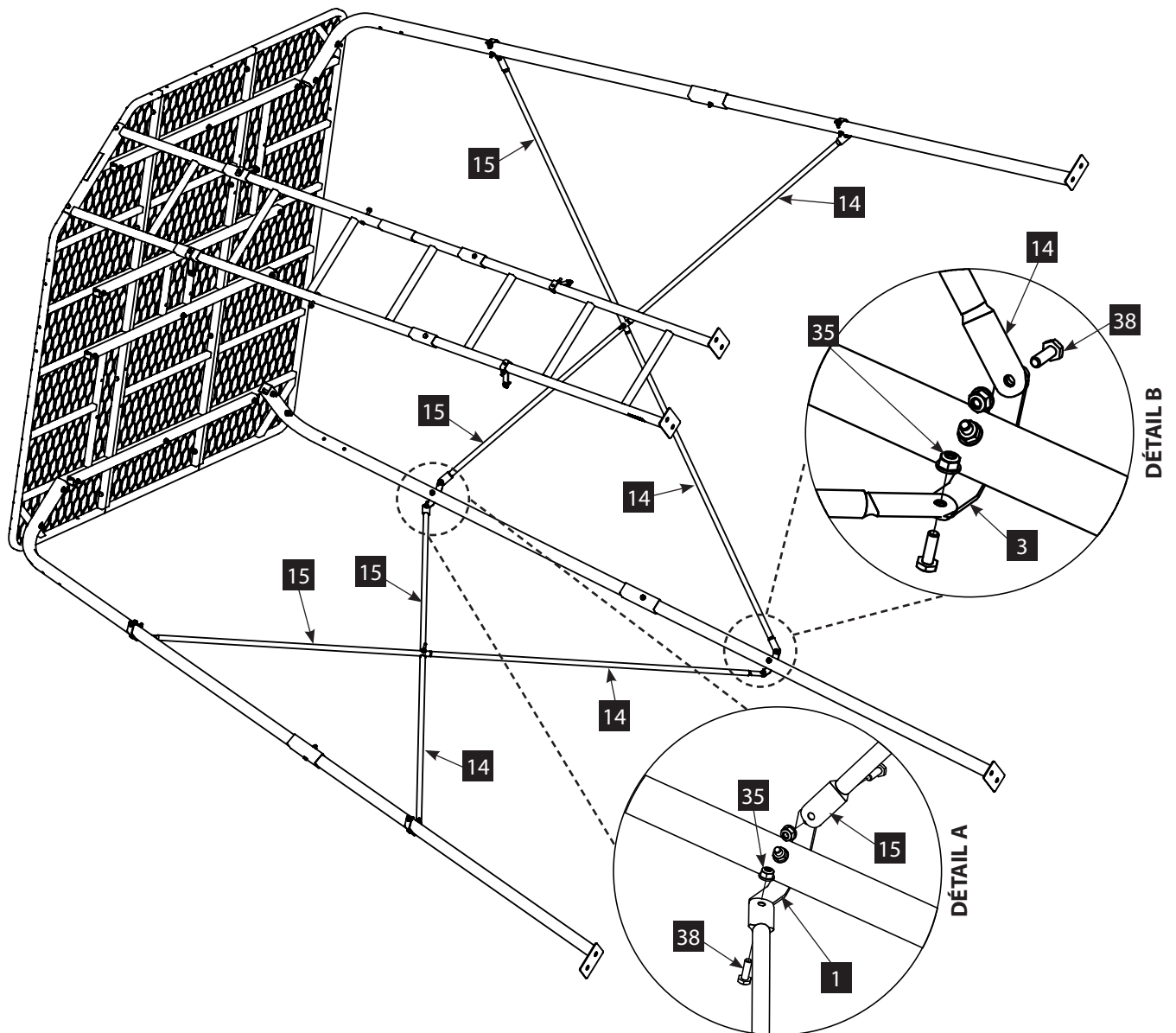


ÉTAPE 8

- 9A. Prendre le croisillon arrière assemblé à l'étape 6. Avec les contrefiches (15) du côté de la plateforme, attacher chaque contrefiche (15) à l'intérieur des attaches pied-contrefiche (1) les plus proches de la plateforme avec quatre vis de 1/4 x 3/4 po (38) et quatre écrous (35). **VOIR DÉTAIL A.**

Attacher ensuite chaque contrefiche (14) à l'intérieur des attaches pied-contrefiche (2) les plus proches de la base avec quatre vis de 1/4 x 3/4 po (38) et quatre écrous (35). **VOIR DÉTAIL B.**

ÉTAPE 9A



9B. Prendre le croisillon d'échelle gauche assemblé à l'étape 5A. Attacher d'abord la contrefiche (18) à l'intérieur de l'attache échelle-contrefiche (2) la plus proche de la plateforme sur le côté gauche de l'échelle avec une vis de 1/4 x 3/4 po (38) et un écrou (35). **VOIR DÉTAIL A.**

Attacher ensuite la contrefiche (14) à l'intérieur de l'attache échelle-contrefiche (2) la plus proche de la base sur le côté gauche de l'échelle avec une vis de 1/4 x 3/4 po (38) et un écrou (35). **VOIR DÉTAIL B.**

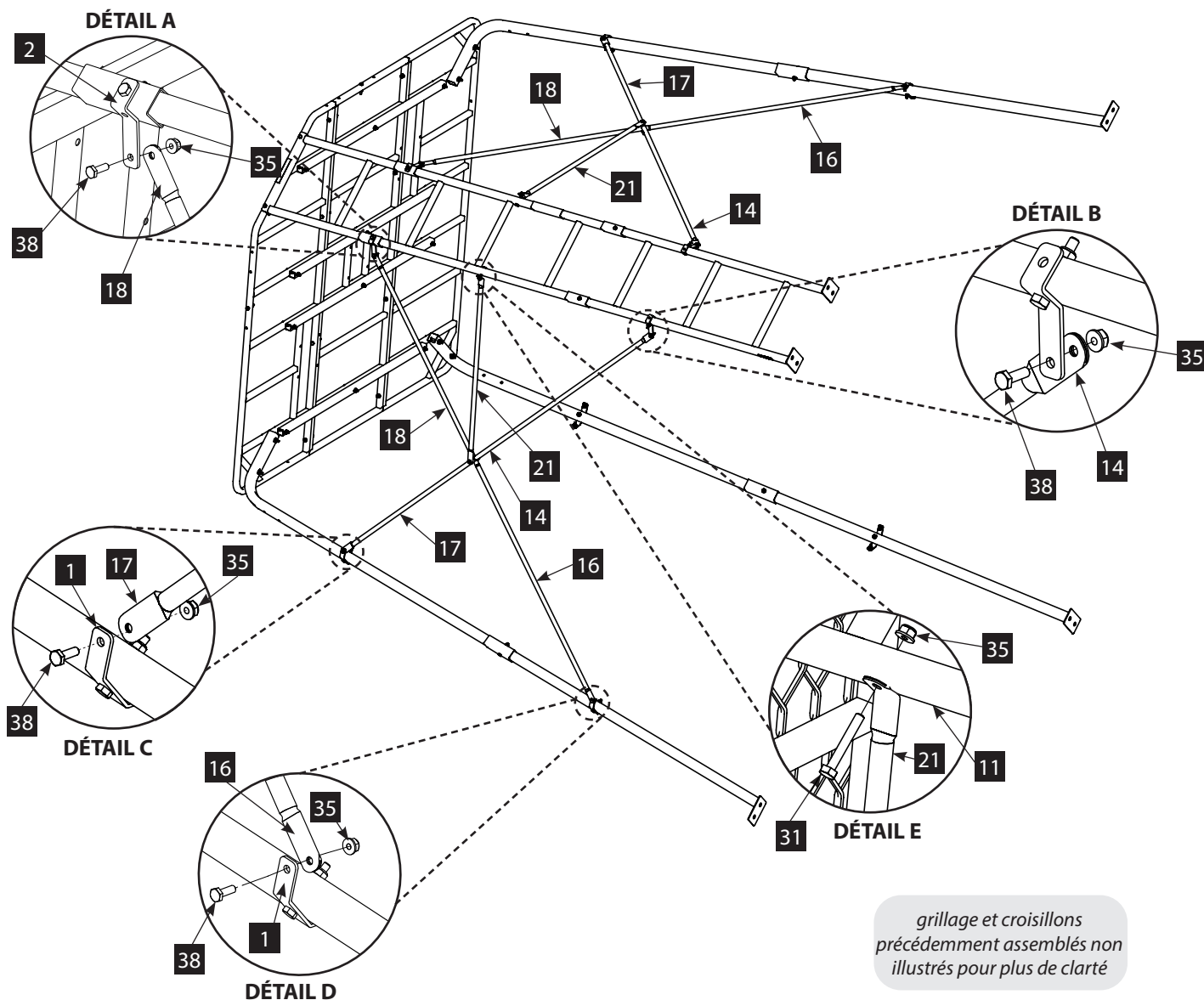
Ensuite, attacher la contrefiche (17) à l'intérieur de l'attache pied-contrefiche (1) la plus proche de la plateforme sur le pied à gauche de l'échelle avec une vis de 1/4 x 3/4 po (38) et un écrou (35). **VOIR DÉTAIL C.**

Attacher la contrefiche (16) à l'intérieur de l'attache pied-contrefiche (1) la plus proche de la base sur le pied à gauche de l'échelle avec une vis de 1/4 x 3/4 po (38) et un écrou (35). **VOIR DÉTAIL D.**

Enfin, attacher la contrefiche (21) à l'extérieur de la section d'échelle du milieu (11) avec une vis de 1/4 x 1-3/4 po (31) et un écrou (35) **VOIR DÉTAIL E.**

Prendre le croisillon d'échelle droit assemblé à l'étape 5B. Répéter cette étape sur le côté droit de l'échelle. Les deux croisillons d'échelle doivent être symétriques l'un de l'autre.

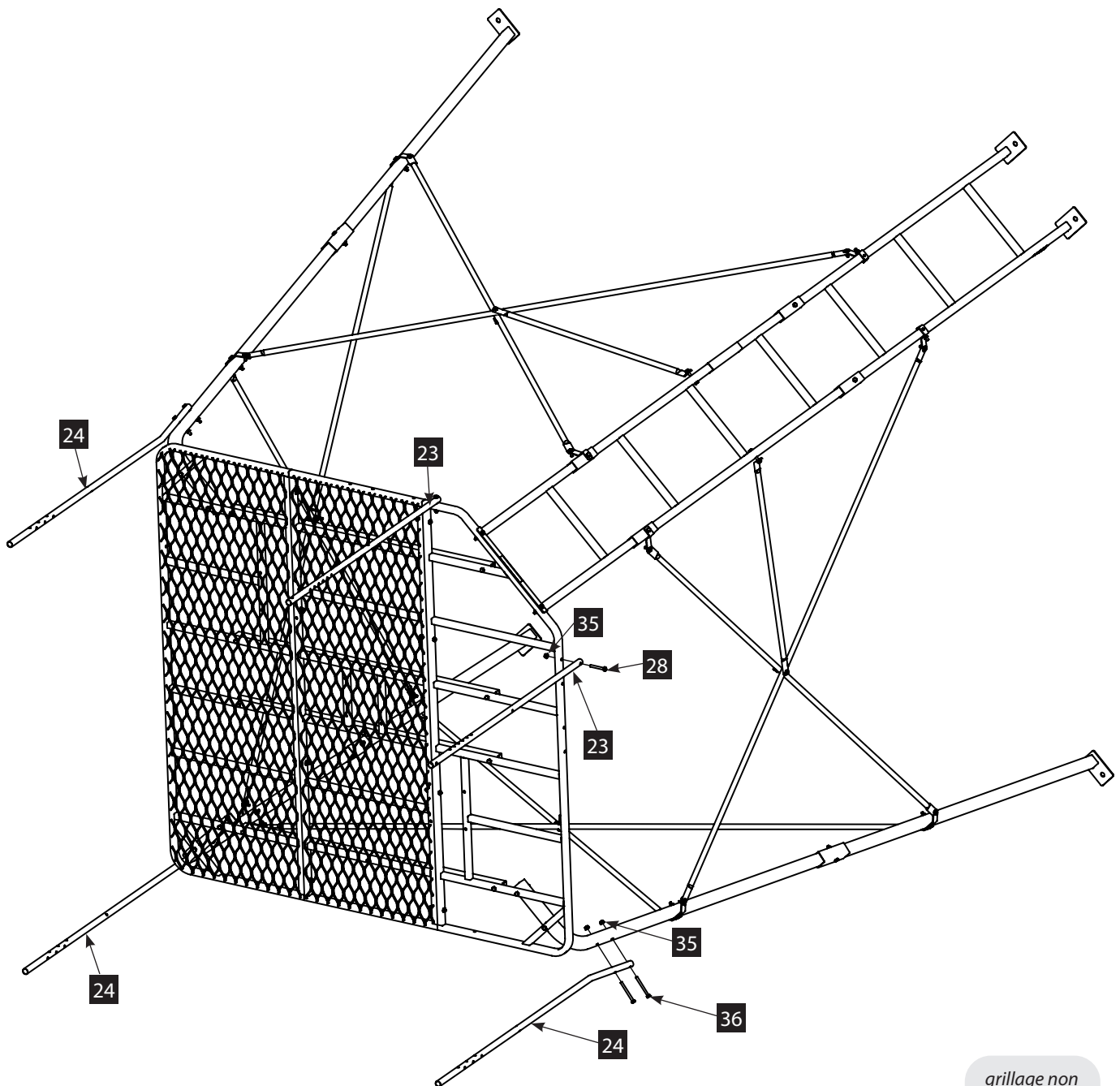
Serrer fermement toute la visserie à ce stade.



10. Attacher les trois supports d'angle verticaux (24) au haut des pieds avec deux vis de 1/4 x 2-3/4 po (36) et deux écrous (35) pour chaque support.
- Fixer les deux supports d'entrée verticaux (23) à la plate-forme à l'aide d'un boulon 1/4 X 2 po (28) et d'un écrou (35) sur chaque support.

REMARQUE : Poser la plateforme sur des cales pour faciliter l'assemblage.

ÉTAPE 10



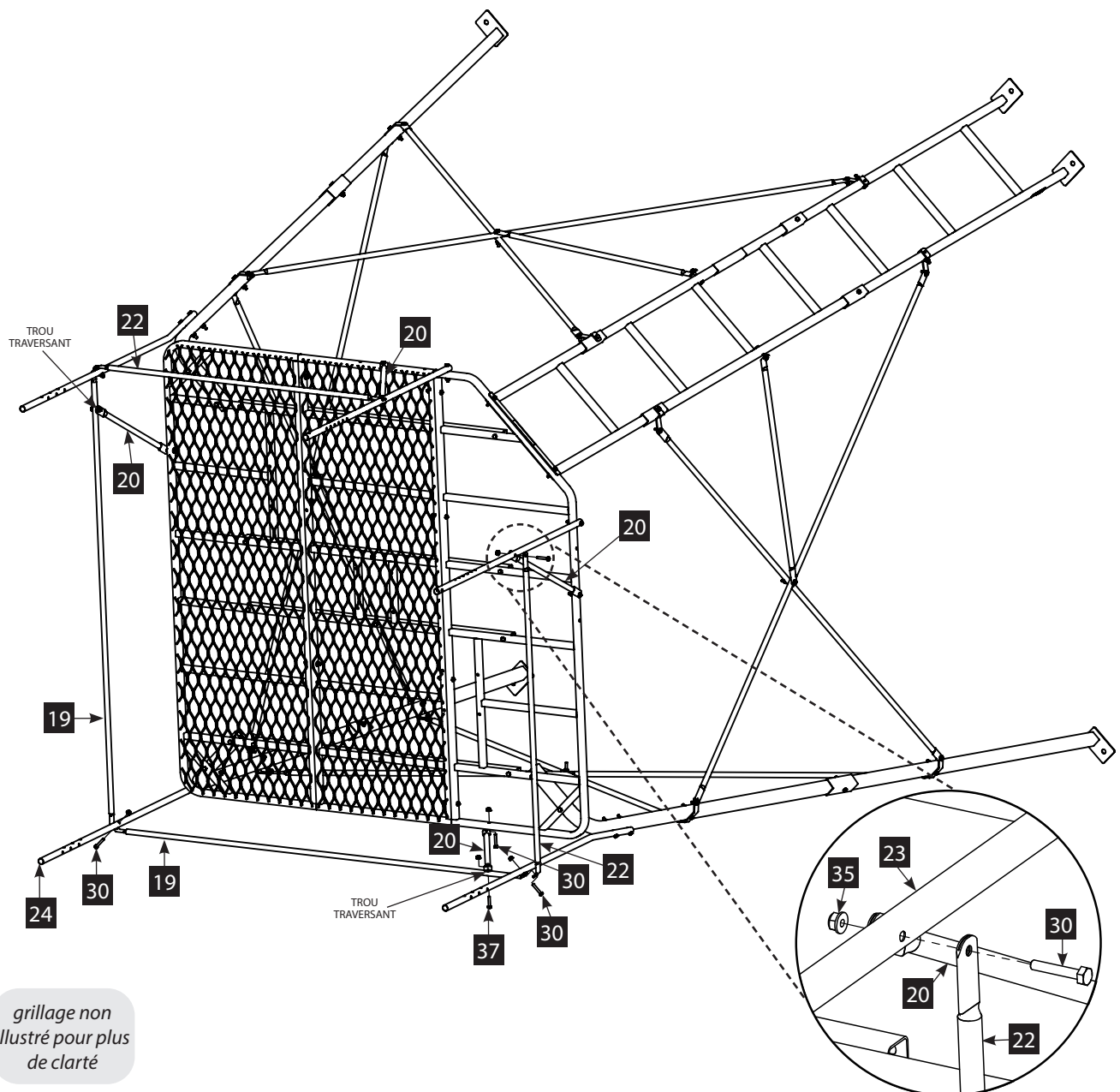
grillage non
illustré pour plus
de clarté

11. Attacher les deux traverses longues (19) au support d'angle vertical (24) opposé à l'échelle avec une vis de 1/4 x 1-1/2 po (30) et un écrou (35). S'assurer que le trou traversant de chaque traverse (19) est placé du côté des deux autres supports d'angle verticaux (24). Attacher l'autre côté de chaque traverse longue (19) et une traverse courte (22) aux deux supports d'angle verticaux restants (24) avec une vis de 1/4 x 1-1/2 po (30) et un écrou (35) dans chaque angle.

Attacher une traverse courte (22) à l'extérieur de chaque support d'entrée vertical (23) et une contrefiche diagonale (20) à l'intérieur de chaque support d'entrée vertical (23) avec une vis de 1/4 x 1-1/2 po (30) et un écrou (35) sur chaque support d'entrée vertical (23). Attacher l'autre côté de chaque contrefiche diagonale (20) à la plateforme avec une vis de 1/4 x 1-1/2 po (30) et un écrou (35).

Attacher une contrefiche diagonale (20) à l'intérieur de chaque traverse longue (19) avec une vis de 1/4 x 1-1/4 po (37) et un écrou (35). Attacher l'autre côté de chaque contrefiche diagonale (20) à la plateforme avec une vis de 1/4 x 1-1/2 po (30) et un écrou (35).

Serrer fermement toute la visserie à ce stade.

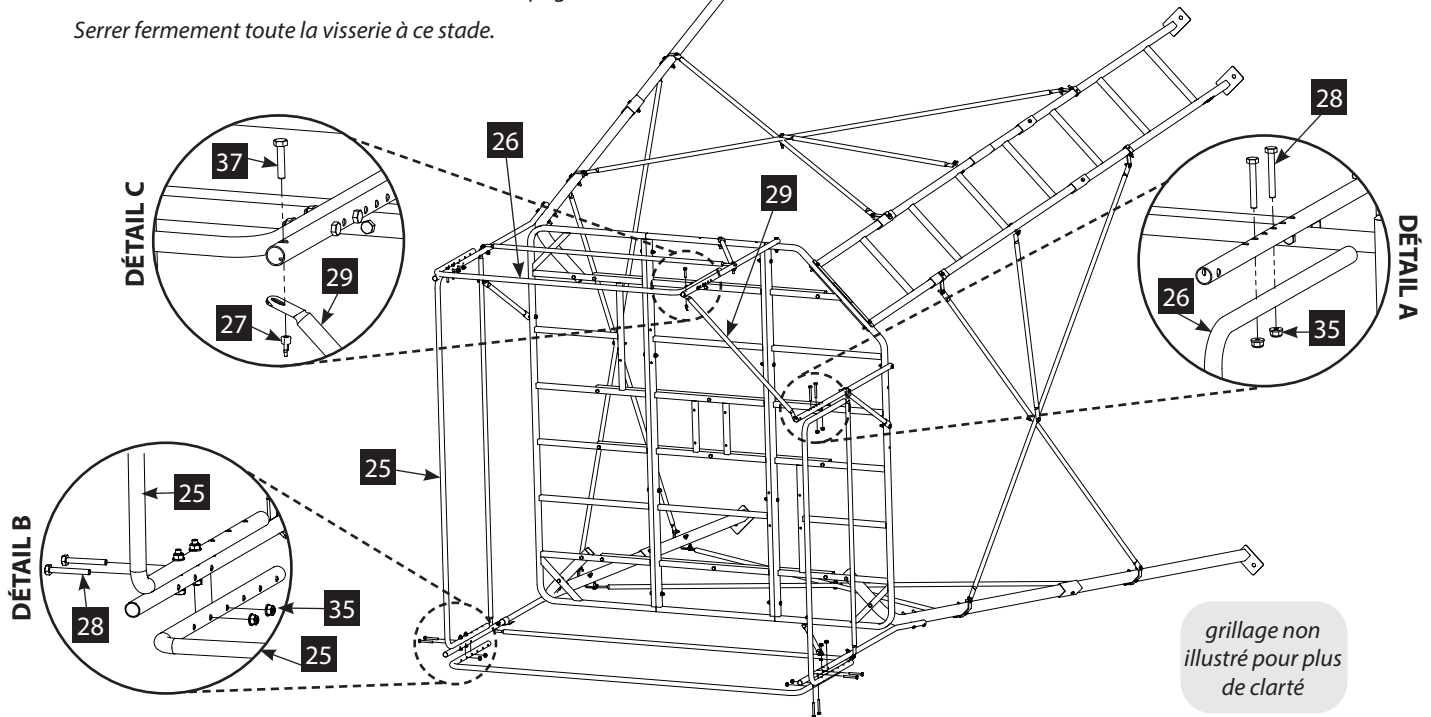


grillage non
illustré pour plus
de clarté

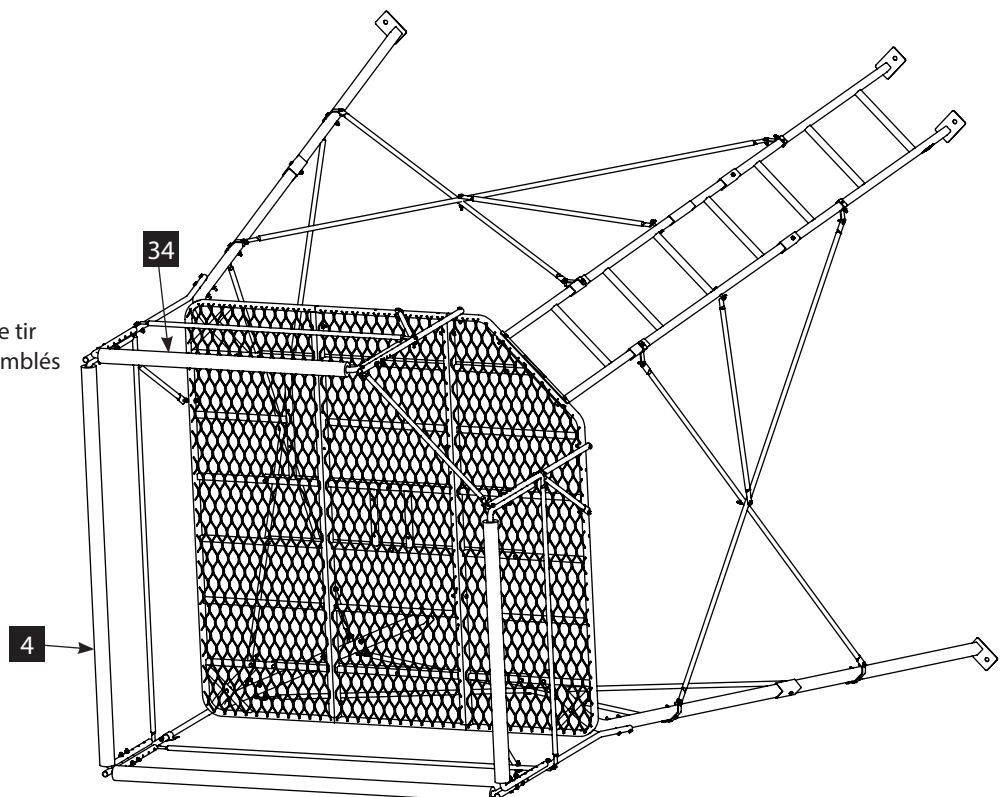
ÉTAPE 12A

- 12A. Attacher les deux rails de tir longs (25) et les deux rails de tir courts (26) avec seize vis de 1/4 x 2 po (28) et des écrous (35). **VOIR DÉTAILS A ET B.** Attacher le rail de tir d'entrée (29) avec deux vis de 1/4 x 1-1/4 po (37) et deux écrous papillon (27). **VOIR DÉTAIL C.** Le rail de tir peut être réglé sur 15 cm (6 po) en hauteur. Une fois l'assemblage terminé, le régler à la hauteur souhaitée. Pour plus de détails, voir la vue éclatée du rail de tir à la page 46.

Serrer fermement toute la visserie à ce stade.

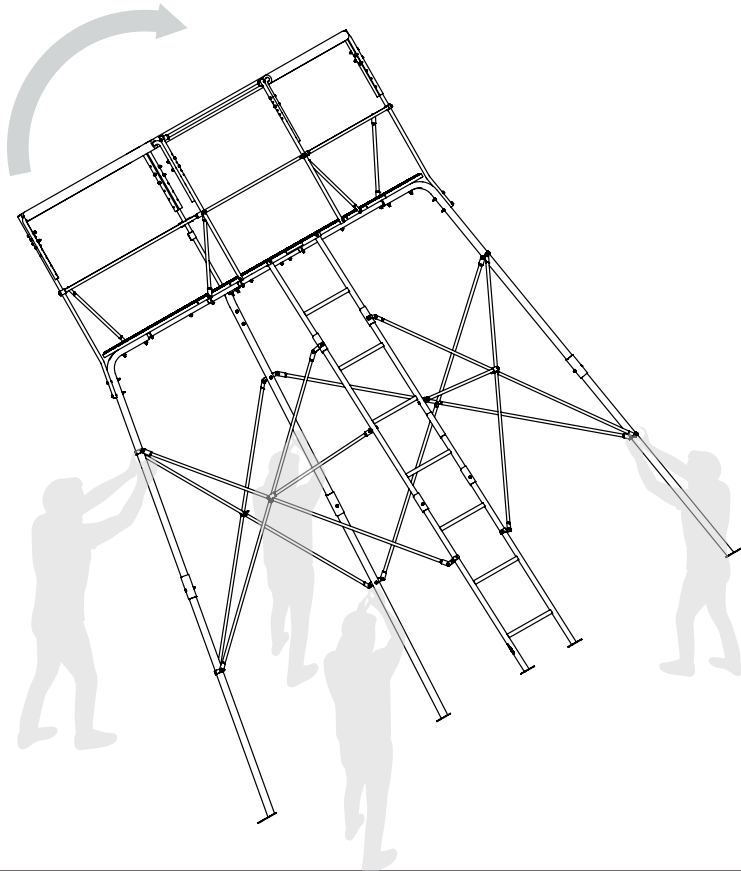


- 12B. Envelopper les coussins de rail de tir (4, 34) autour des rails de tir assemblés et les attacher avec la bande auto-agrippante.



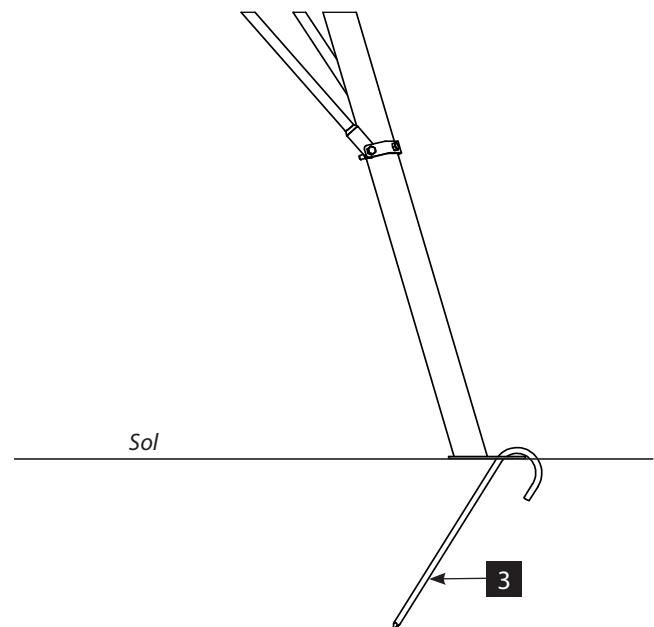
ÉTAPE 12B

ÉTAPE 13



13. À quatre personnes au moins, soulever avec précaution la partie arrière de la plateforme et redresser le mirador sur ses pieds.

14. Au marteau, enfoncer les cinq piquets d'ancrage fournis (3) dans le sol en les inclinant vers le centre du mirador. Leur inclinaison à un angle semblable à celui illustré renforce considérablement l'ancrage du mirador au sol.



ÉTAPE 14

MIRADO ASSEMBLÉ

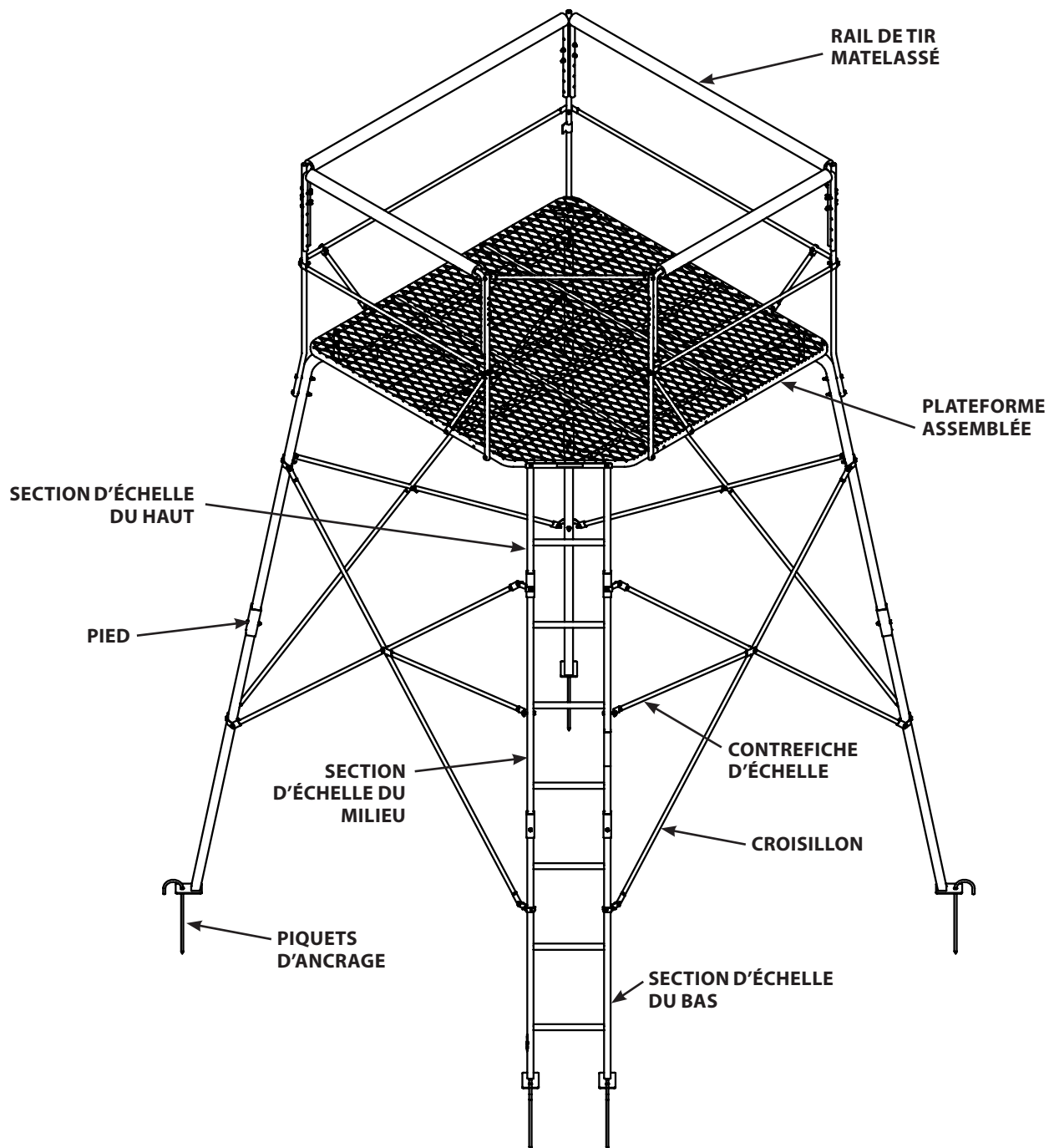
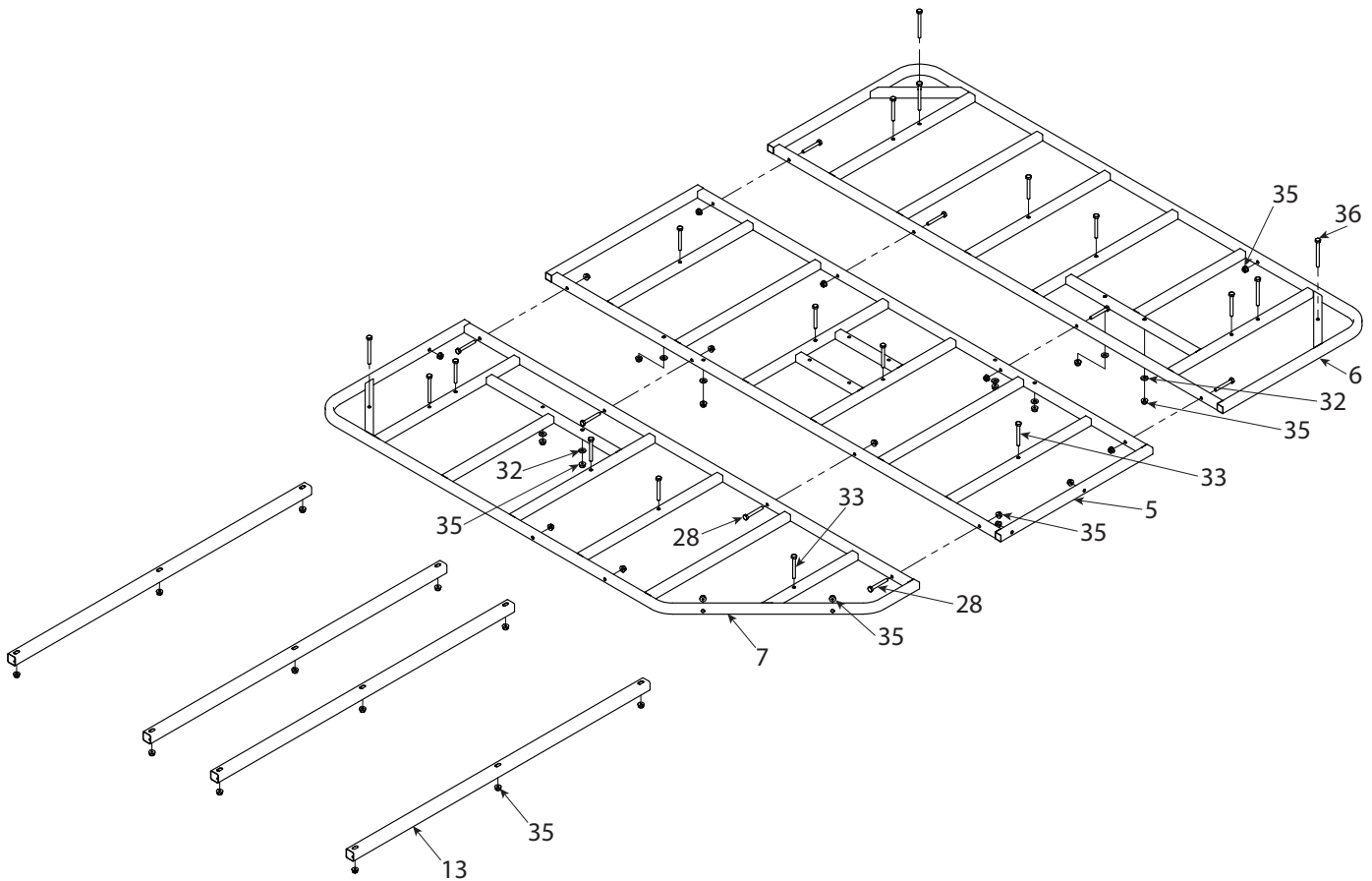
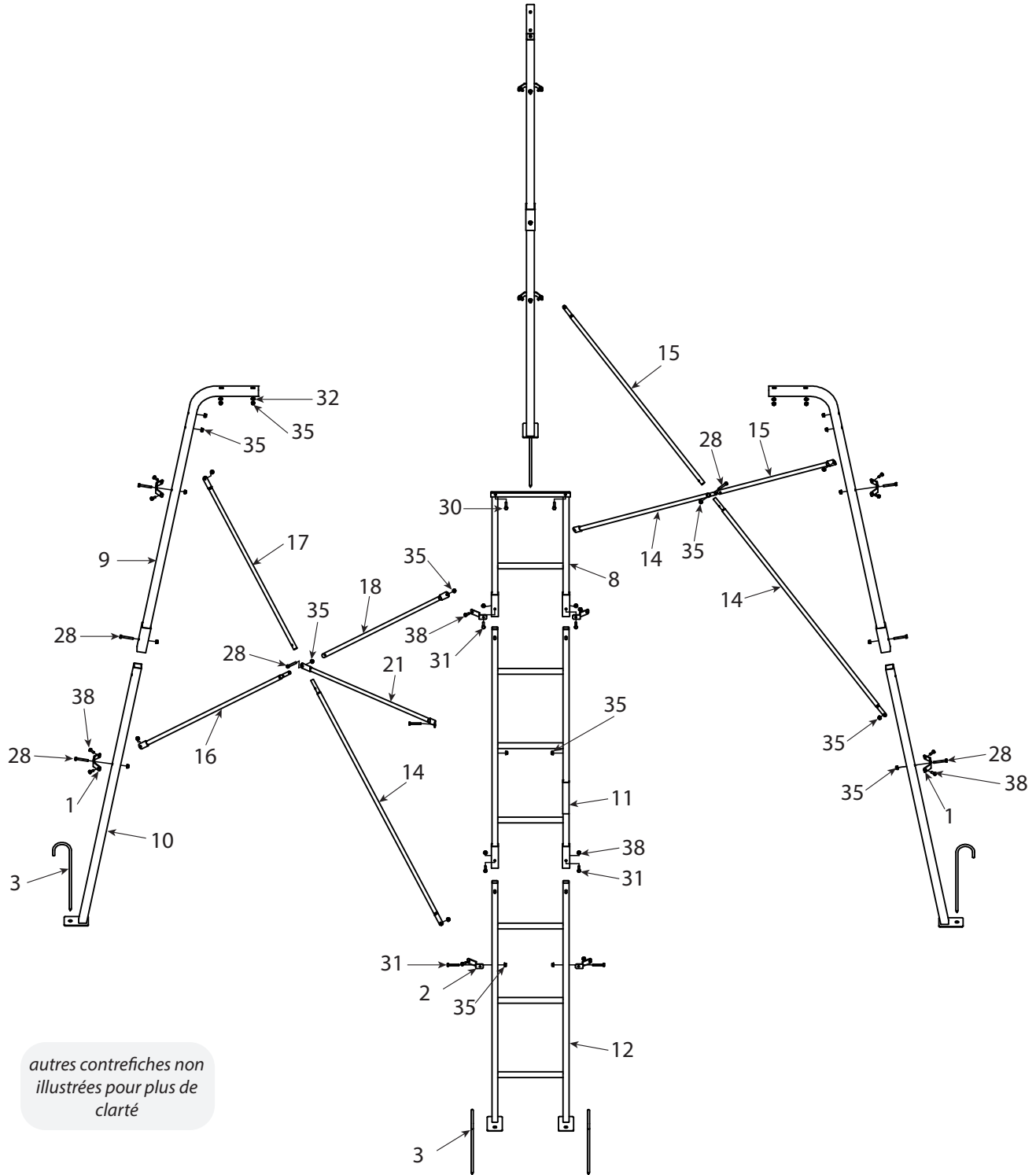


ILLUSTRATION DES PIÈCES DÉTACHÉES - PLATEFORME



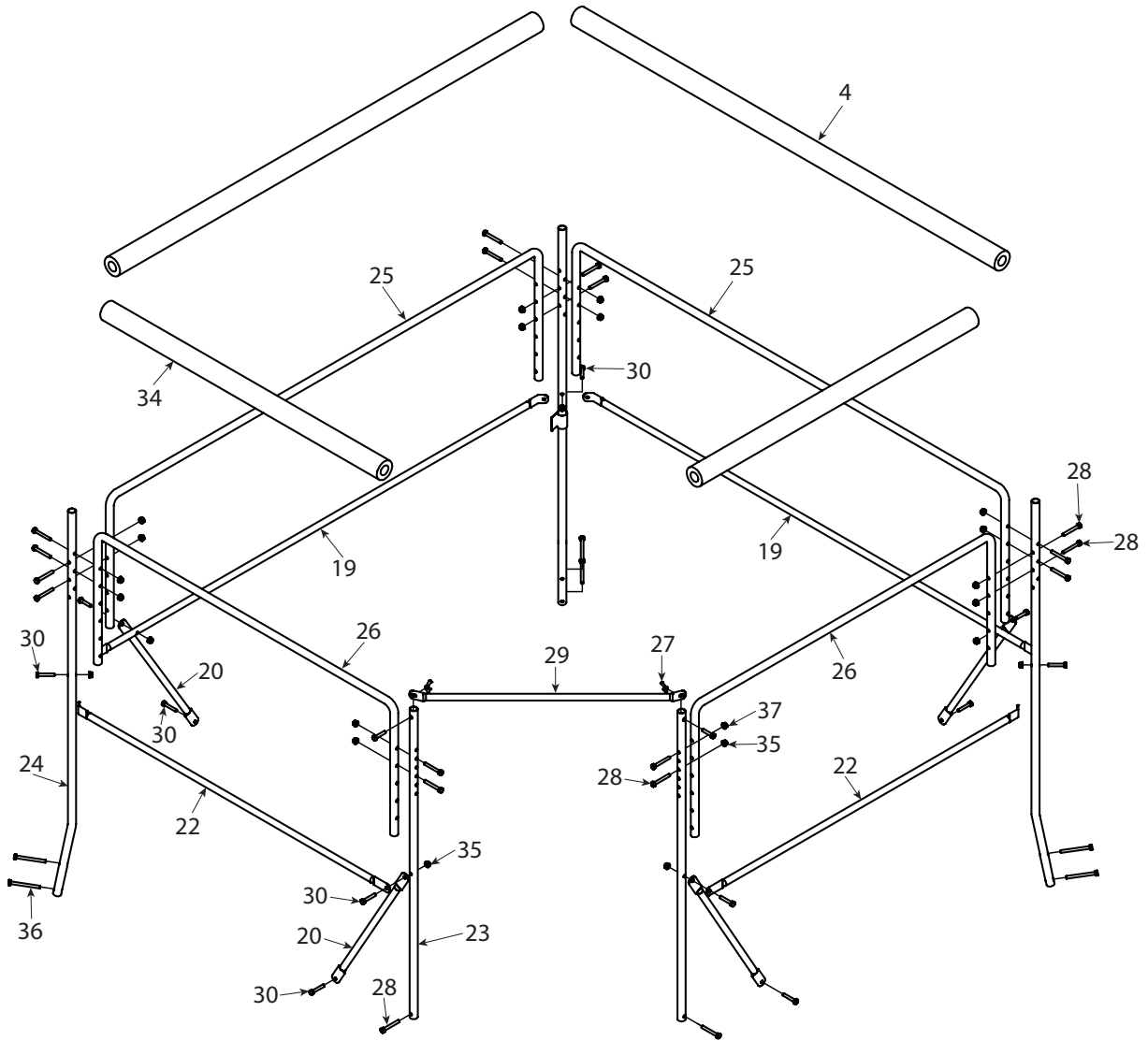
*grillage non
illustré pour plus
de clarté*

ILLUSTRATION DES PIÈCES DÉTACHÉES - PIEDS DU MIRADOR



*autres contrefiches non
illustrées pour plus de
clarté*

ILLUSTRATION DES PIÈCES DÉTACHÉES - RAIL DE TIR



NOMENCLATURE DES PIÈCES

REPÈRE	N° RÉF.	DESCRIPTION	QTÉ
1	34558	ATTACHE PIED-CONTREFICHE	6
2	34559	ATTACHE ÉCHELLE-CONTREFICHE	4
3	34729	PIQUET D'ANCRAGE 38 CM (15 PO)	5
4	44326	MANCHON AVEC MOUSSE 140 CM (55 PO)	2
5	45753	SECTION DE PLATEFORME DU MILIEU	1
6	45754	SECTION DE PLATEFORME ARRIÈRE	1
7	45755	SECTION DE PLATEFORME AVANT	1
8	45764	SECTION D'ÉCHELLE DU HAUT	1
9	45766	MONTANT DE PIED SUPÉRIEUR	3
10	45767	MONTANT DE PIED INFÉRIEUR	3
11	45769	SECTION D'ÉCHELLE DU MILIEU	1
12	45770	SECTION D'ÉCHELLE DU BAS	1
13	45771	TRAVERSE DE PLATEFORME	4
14	45772	CONTREFICHE MÂLE 117 CM (46 PO)	6
15	45773	CONTREFICHE FEMELLE 94 CM (37 PO)	4
16	45775	CONTREFICHE MÂLE 104 CM (41 PO)	2
17	45777	CONTREFICHE FEMELLE 81 CM (32 PO)	2
18	45778	CONTREFICHE FEMELLE 86 CM (34 PO)	2
19	45788	TRAVERSE LONGUE	2
20	45789	CONTREFICHE DIAGONALE	4
21	45790	CONTREFICHE D'ÉCHELLE	2
22	47676	TRAVERSE COURTE	2
23	47677	SUPPORT D'ENTRÉE VERTICAL	2
24	47678	SUPPORT D'ANGLE VERTICAL	3
25	47679	RAIL DE TIR LONG	2
26	47680	RAIL DE TIR COURT	2
27	48042B	ÉCROU PAPILLON	2
28	48153B	VIS 1/4 X 2 PO	37
29	48202	TRAVERSE D'ENTRÉE	1
30	48240B	VIS 1/4 X 1-1/2 PO	11
31	48250B	VIS 1/4 X 1-3/4 PO	10

REPÈRE	N° RÉF.	DESCRIPTION	QTÉ
32	48261B	RONDELLE 1/4 X 5/8	6
33	48271B	VIS 1/4 X 2-1/4 PO	12
34	48739	MANCHON AVEC MOUSSE 91 CM (36 PO)	2
35	48752B	ÉCROU 1/4 PO	100
36	67540B	VIS 1/4 X 2-3/4 PO	12
37	8909B	VIS 1/4 X 1-1/4 PO	4
38	8930B	VIS 1/4 X 3/4 PO	16

**AUCUNE EXTENSION N'EST PROPOSÉE SUR CE MODÈLE.
NE JAMAIS MODIFIER NI DÉPASSER LA HAUTEUR
D'UTILISATION INDIQUÉE!**



— **NOUS SOMMES DES CHASSEURS** —

Rivers Edge® Treestands
Une division d'Ardisam, Inc.
1730 Industrial Avenue, PO Box 666
Cumberland, WI 54829

Téléphone : 800-345-6007
www.HuntRiversEdge.com

Tous les poids, spécifications et caractéristiques indiqués sont approximatifs et sujets à modification sans préavis. En raison des constantes améliorations de nos produits, les représentations du produit peuvent être inexactes. Les étiquettes de mise en garde sur certaines illustrations de produit peuvent avoir été enlevées à des fins de photographie ou de démonstration uniquement. Les accessoires montrés sur les photos ne sont pas inclus. Un certain assemblage peut être requis. Se reporter au mode d'emploi ou au manuel du produit pour voir comment l'installer et l'utiliser en toute sécurité.