



WE ARE HUNTERS



Operator's Manual

OUTLAW XL Hang-On Stand

MODEL RE520

Maximum Field Rating

350 lbs

Tree Diameter Range

8" to 20"

Wear Your Harness!



ATTENTION

YOU MUST READ ALL WRITTEN INSTRUCTIONS AND WATCH THIS SAFETY VIDEO BEFORE USING!



WATCH THIS SAFETY VIDEO BEFORE USING!

Scan →



or Visit →

www.standsafety.com/r1

Scan the QR code with your smart phone, tablet or similar device.

OR

Type the website address into your web browser to view an important safety video before using this product.

HANG-ON STAND SAFETY

PRODUCT MEETS
INDUSTRY STANDARDS
RECOGNIZED BY



PARTICIPATING MEMBER

Get parts online at
www.HuntRiversEdge.com

© 2025 Ardisam, Inc.
All Rights Reserved

P/N: 49199
C/N: 49212
REV1: 02/12/25

INTRODUCTION

Rivers Edge® Treestands are engineered with you the hunter in mind. We appreciate your purchase of one of our world class treestands. Follow these few simple instructions and your stand will provide you many years of trouble-free pleasure. Instructions should be kept in a safe place and reviewed at least annually.

If for any reason you have a problem with your product, **DO NOT return to the retailer**, contact the Rivers Edge® customer service department at 800-345-6007 for assistance.

CONTENTS

Introduction/Warranty	2
Warnings.....	3-4
Inspection and Maintenance	4
Hardware Identification Chart.....	5
Assembly Instructions	6
Treestand Adjustment Instructions	7
Next Level Treestand Bracket Use Instructions.....	8
Critical Strap Attachment Instructions	9
Warnings.....	10
Attachment Instructions.....	11-13
Illustrated Parts Breakdown.....	14
Parts List.....	15

WARRANTY

Ardisam, Inc. offers a one year warranty for all components of the treestand. These warranties apply to the original owner with a proof of purchase. These warranties begin on the date of purchase by the first retail consumer and continue for the period specified above. These warranties apply to products that are not modified, abused or used in a manner that deviates from the product's intended usage. Minor fading in color is normal and is not covered by warranty. Any corrosion of painted surfaces that occurs as a result of paint being removed or damaged is also not covered by warranty. Ardisam, Inc. offers no other warranty expressed or implied. Products for which warranty work has been approved must be sent directly to Ardisam, Inc. and performed by Ardisam, Inc. **To obtain warranty service and/or replacement instructions, you must obtain prior approval from Ardisam, Inc. before shipping your package to us by calling our customer service department at 800-345-6007 or by writing to: Ardisam, Inc., P.O. Box 755, 1730 Industrial Avenue, Cumberland, WI 54829 for a return material authorization number (RMA#).** All items must be shipped prepaid. Ardisam, Inc. will, at no charge, repair or replace, in Ardisam's sole discretion, any product that satisfies the conditions stated above. Ardisam, Inc. retains the right to change models, specifications and price without notice.

SAFETY GUIDELINES

This equipment has been manufactured under strict quality and safety guidelines. As with any equipment of this type, full understanding of the instructions and its use is mandatory and imperative for the safety of its user. Ardisam, Inc. is not responsible for any damages or injuries sustained due to improper use or modification of any of its products, or resulting from any use which deviates from the product's intended usage. Ardisam, Inc. is not responsible for any injuries sustained due to failure to read and adhere to the instructions for use. Any misunderstanding or questions regarding the products of their use should be directed to Ardisam, Inc. prior to any use. **All Rivers Edge® Treestands are sold with a full body harness ("Fall Arrest System") that meets standards set by the Treestand Manufacturer's Association ("TMA").** It is the owner's sole responsibility to inspect the product regularly for damage, improper installation, or conditions that could jeopardize the ultimate safety of the product. Failure to use or improper use of the provided Fall Arrest System may result in serious injury or death. **ALWAYS wear the provided Fall Arrest System while using this product. Owner is responsible to understand and follow product field weight rating and must never exceed maximum weight rating.** Ardisam, Inc. is not responsible for any malfunction or injury resulting from normal wear and tear, damage caused by improper use, improper maintenance, negligence or accidents. This product, if used safely as intended, will provide trouble free service for the useful life of the product. We hope you will enjoy the quality of our products for years to come, and have a safe hunt.



READ AND UNDERSTAND THE FOLLOWING WARNINGS BEFORE ASSEMBLY

MODEL RE520

MAXIMUM OCCUPANCY - ONE (1)
TOTAL WEIGHT LIMIT - 350 LB
TREE DIAMETER RANGE - 8" TO 20"



WARNING

- ▲ This product carries strict weight restrictions. **DO NOT** use this product if you exceed the total weight limit. Please note that the total weight limit includes the user(s) and their equipment.



WARNING

- ▲ **WHEN HUNTING FROM A TREESTAND FALLS CAN OCCUR ANY TIME AFTER LEAVING THE GROUND CAUSING INJURY OR DEATH.**
- ▲ **ALWAYS** wear a Fall Arrest System (FAS) comprising a full body harness at all times after leaving the ground. You must stay connected at all times after leaving the ground while using climbing and hang-on treestands. Single safety belts and chest harnesses are no longer allowed and shall never be used. If you are not wearing a full body harness properly attached to the tree that is protecting you from a fall, do not leave the ground.
- ▲ **READ AND UNDERSTAND** all of the manufacturer's Warnings and Instructions and use all safety devices provided by the manufacturer. Contact the manufacturer for any questions. Failure to do so could result in injury or death.
- ▲ **NEVER** exceed the total weight limit of the treestand.
- ▲ **NEVER** use a treestand during inclement weather such as rain, lightning, windstorms or icy conditions and end your hunt and return to the ground if inclement conditions arise.
- ▲ **NEVER** use a treestand while using drugs (even prescription drugs) or alcohol.
- ▲ **NEVER** use a treestand while feeling ill, nauseous or dizzy, or if you have a prior medical condition that could cause a problem, that is, heart condition, joints that lock-up, spinal fusions, etc., or if you are not well rested. **NEVER** sleep in stand.
- ▲ **NEVER** use a treestand on a dead, leaning, diseased or loose barked tree, or a utility pole. **ALWAYS** avoid electrical power lines.
- ▲ **NEVER** rely on a tree branch for support.
- ▲ **NEVER** jump or bounce on a treestand to seat it to the tree.
- ▲ Pull up a bow, backpack, or firearm or other equipment only after being secure in the treestand and a firearm must be pulled up with it unloaded, chamber open, and muzzle down.



WARNING

- ▲ **ALWAYS** inform someone of the hunting location, where the treestand will be located and the expected duration of the hunt.
- ▲ A signal device such as a mobile phone, radio, whistle, signal flare or personal locator device (PLD) must be on your person and readily available at all times.
- ▲ Inspect the treestand and all safety devices each time before use and **DO NOT** store a treestand outdoors when not in use.
- ▲ **NEVER** modify your treestand in any way by making repairs, replacing parts, or altering it except if explicitly authorized in writing by the manufacturer.
- ▲ Practice installing, adjusting and using your treestand at ground level prior to using it at elevated positions. Study your new stand to become familiar with all of its features and design. Doing so will confirm that the product is manufactured, assembled and installed correctly.
- ▲ Instructions (written and video) shall be kept in a safe place and reviewed at least annually. It is the responsibility of the treestand owner to furnish the complete instructions to any person who borrows or purchases the treestand.
- ▲ The use of a lineman's/climbing belt is required when installing a hang-on treestand to stabilize the user with the tree.
- ▲ Correct tightening and adjustment of chains, cables, straps, etc. are critical to stable hang-on treestand installation. All treestand contact points must be in contact with the tree before you step onto your stand.
- ▲ **NEVER** leave a treestand in a tree for more than two weeks since weather or animals could cause damage. Tree growth can also stress and damage straps and buckles.
- ▲ Practice the attachment of hang-on treestands at ground level before using in a hunting environment. Doing so will confirm that the product is manufactured, assembled and installed correctly. Failure to install and test at ground level first puts users at risk for serious injury or death.
- ▲ Use a haul line to raise and lower the treestand. **NEVER** climb with anything on your back.
- ▲ **ALWAYS** lean forward as you ascend or descend ladder or climbing aid.
- ▲ **NEVER** lean out over edge of device.
- ▲ Climbing aids (stick ladders, sectional ladders, steps, etc.) must extend above the platform to allow the user to step down onto the platform. **NEVER** step up to your stand from a climbing aid. To ensure that you step down onto the platform, the maximum recommended use height is five feet less than the height of the climbing aid being used.

WARNING

- ▲ **ALWAYS** maintain three (3) points of contact when climbing a ladder treestand or hang-on stand. Proper three-point contact means having either two feet with one hand or one foot with two hands on the step portion of the ladder or climbing aid at all times.
- ▲ **DO NOT** use this product until you have watched the safety video, understand it, and practiced the techniques for safe hunting discussed in this video. The video can be found with the QR code and/or URL shown on front cover of this manual.
- ▲ Read and perform all inspection and maintenance tasks before each and every use. Replace any questionable components immediately with Rivers Edge® original replacement parts.
- ▲ **DO NOT** crush tubing when tightening bolt assemblies! Identify and familiarize yourself with all parts before you start. A bolt identification card can be found on the following page.
- ▲ Double check assembly steps to be certain you have correctly assembled this product.
- ▲ **NEVER** use any product that has not been maintained or inspected properly—your life depends on it!
- ▲ Replace any and all treestand straps every two years or when signs of damage or wear exist before.
- ▲ **DO NOT** use any type of after market hanging assists, bracket mount systems or any other type of mechanism to attach your hang-on treestand to a tree that has not been designed by Rivers Edge® Treestands. These types of devices can negatively affect the stability of the treestand in the tree and reduce or prevent proper tightening, tree adhesion and performance of the treestand to the tree which can lead to serious injury or death.
- ▲ Platform must be folded up to remove stand! This allows slack in strap(s) for removal.
- ▲ **ALWAYS** climb tree on the attachment side of this treestand. Visually inspect your connection to be assured you have correctly attached stand to tree as per instructions and diagrams.
- ▲ **ALWAYS** wear the appropriate footwear when using a hang-on treestand. A good non-slip safety boot is important to your personal safety. Be especially careful that boot laces do not get hooked on the stand or any of its components (tuck shoelaces into boots before climbing).
- ▲ **NEVER** touch or move strap buckle(s) while stand is in use.

INSPECTION AND MAINTENANCE

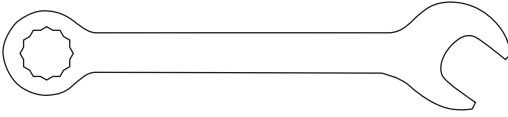
BEFORE EACH USE PERFORM THE FOLLOWING:

- Inspect all webbing, rope, cord, and strap assemblies for wear or damage.
- Inspect cables and/or cable ends for damage or kinking.
- Inspect all hardware and chain components for damage or wear.
- Inspect for any structural damage to product. (If any exists stop use immediately and call our Customer Service.)
- Inspect all nut and bolt assemblies to be certain none are loose.
- Inspect for any missing parts.
- Lubricate all pivot and slide together points with powder graphite, petroleum jelly or silicone spray to prevent noise, wear and rust.
- Inspect entire product for any rust, corrosion, cracks, freezing, excessive heat or rotting damage that may effect the safety of your product. Discard any questionable product.
- Inspect entire product for any structural damage - pay close attention to all weld locations. (Discard product if any damage is found.)
- Using correct wrenches inspect all nut & bolt assembly locations and snug up any that may be loose. Be careful not to crush tubing when tightening!
- Inspect and check operation of all cables, cable ends, cord, rope, webbing, and strap or chain assemblies. Replace with Rivers Edge® original replacement parts any item or assembly that shows signs of wear, damage, kinking, or functions incorrectly.
- Inspect seat for damage or wear. Replace any seat with factory new that shows signs of structural damage or wear.
- Never modify your stand in any way by making repairs, replacing parts, or altering by adding or attaching anything to it except if explicitly authorized in writing by the manufacturer.

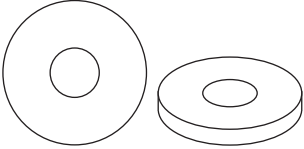
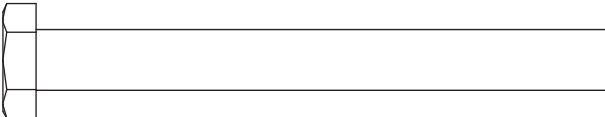

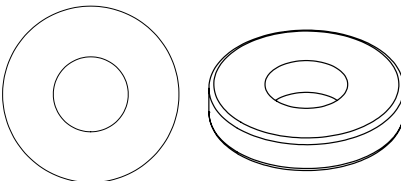
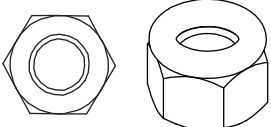
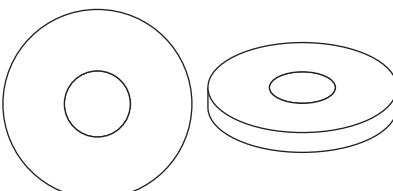
WARNING

- ▲ Only use approved Rivers Edge® parts. Failure to do so may result in serious injury or death!

TOOLS REQUIRED

Item	Part No.	Description	Image	Qty
-	-	1/2 IN WRENCH <i>(NOT INCLUDED)</i>		2

HARDWARE LIST

Item	Part No.	Description	Image	Qty
2	23523	5/16 IN YELLOW WASHER		2
4	29010B	BOLT 5/16 X 3 IN		1
8	48152	BOLT 5/16 X 1-1/2 IN		2
20	49070	YELLOW PLASTIC SPACER		2
25	60G5NYB	NUT 5/16 IN		3
26	WF516B	WASHER 5/16 IN		2

- ALL ASSEMBLY MUST BE DONE IN THIS ORDER AT GROUND LEVEL BEFORE USE.
- DO NOT REMOVE LABELS/WARNINGS FROM PRODUCT, THEY ARE THERE FOR YOUR SAFETY.
- RECOMMENDED FOR ADULT USE ONLY.

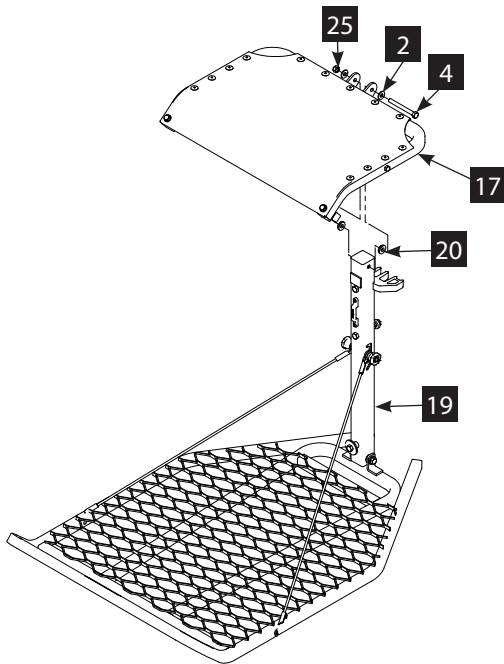
WARNING

- ▲ **NEVER** use, install, or remove a treestand on a dead, leaning, diseased or loose barked tree, or a utility pole.
- ▲ **ALWAYS** avoid electrical power lines.
- ▲ Bring strap(s) up with you in a pocket—**DO NOT** carry in your hands!

IMPORTANT ASSEMBLY TIP:

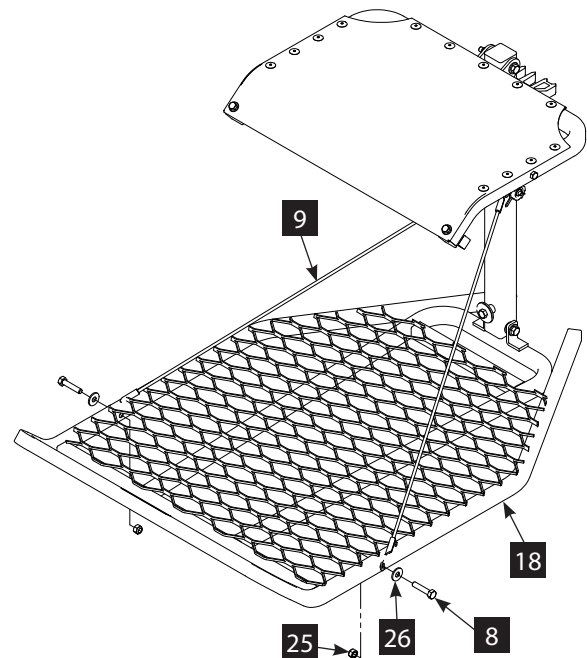
Do not tighten any nut and bolt combinations completely until all parts are assembled together! Finger tighten plus one turn of a wrench only! This will temporarily hold the lock nut on the bolt while helping alignment of all parts! After all parts are assembled together, all nut & bolt combinations must be completely tightened.

STEP 1



1. Attach the seat assembly (17) to the seat post (19) using a 5/16 X 3 IN bolt (4), two yellow washers (2), two yellow spacers (20), and a nut (25).

2. Bolt cables (9) onto platform (18) using two 5/16 X 1-1/2 bolts (8), two steel washers (26) and two nuts (25).



STEP 2

This treestand includes leveling features which allow the user to level the seat and platform. Follow the instructions below and become familiar with these features at ground level before using.

PLATFORM ANGLE ADJUSTMENT

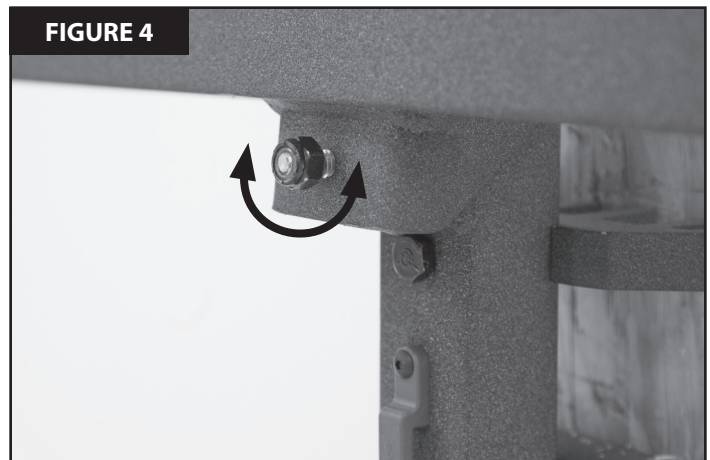
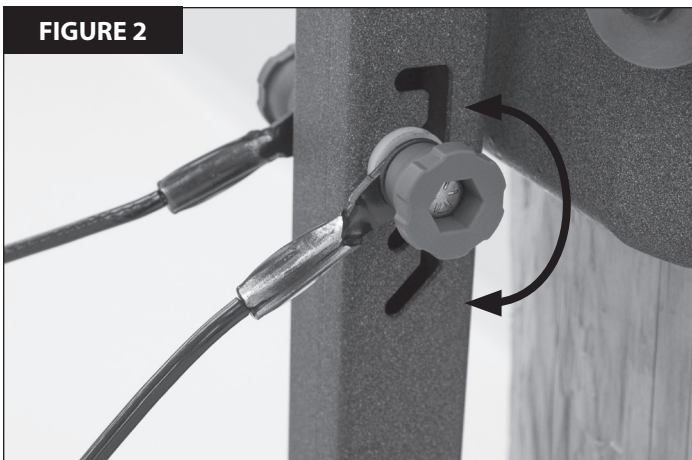
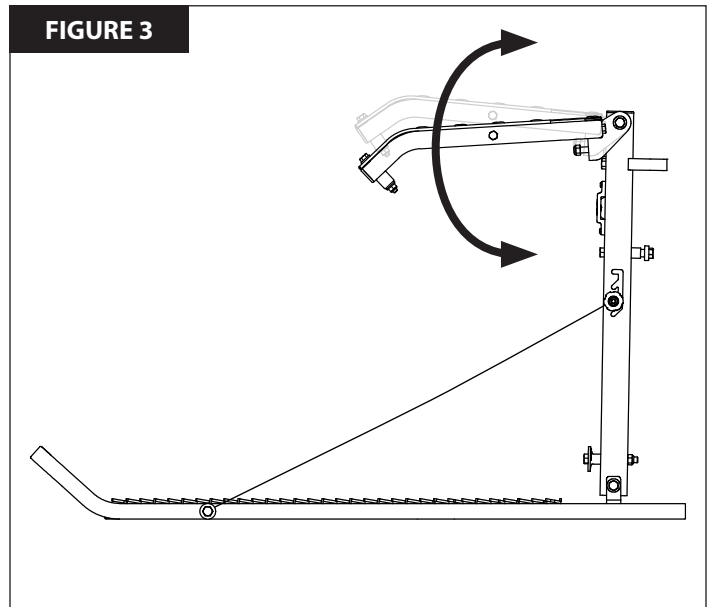
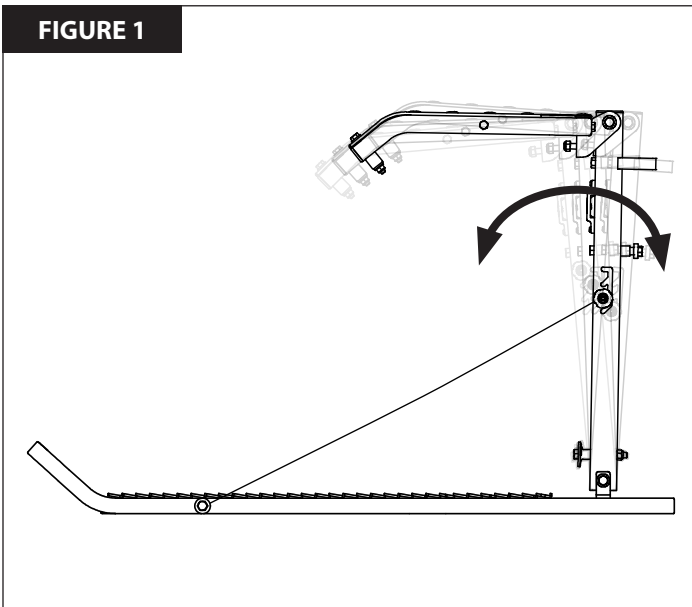
The platform has 4 adjustment positions: 85°, 88°, 91°, and 94°. After initial install of the treestand to the tree and before stepping onto the platform, do the following:

- a. To adjust the platform angle, loosen the cable attachment knobs, slide to the chosen adjustment slot and secure in place by hand tightening the knobs. **(SEE FIGURES 1 & 2)**
- b. Repeat this process until you have found the best position which allows the platform to sit at a slight upward angle. The platform should never be angled downward during use.

SEAT ANGLE ADJUSTMENT

Like the platform, the seat angle can also be adjusted to your desired comfort level. A good starting point is to adjust to a level position like the platform, but from there you can make small adjustments until it is the most comfortable.

- a. The seat is supported by a seat adjustment bolt which can be turned in/out by hand to adjust the angle. **(SEE FIGURES 3 & 4)**
- b. Turn the bolt in or out until the desired seat angle is found. The seat should never be angled downward during use.

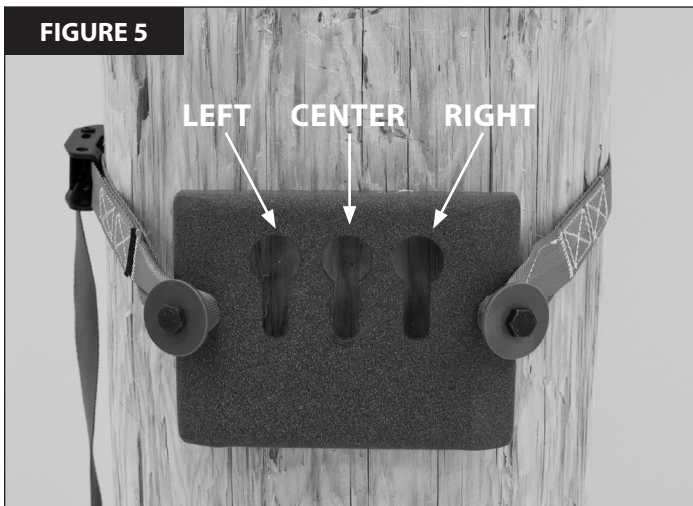


SIDE TO SIDE LEVELING INSTRUCTIONS

The Next Level Treestand Bracket features side to side leveling which allows the user to level their treestand on leaning trees. Once the Next Level Treestand Bracket has been installed, choose one of the three keyhole slots depending on the tree lean (**SEE FIGURE 5**). Become familiar with these features at ground level before using.

- The **LEFT** slot will be used for right leaning trees.
- The **RIGHT** slot will be used for left leaning trees.
- The **CENTER** slot will be used for trees with little to no lean.

You can adjust the amount of lean by pivoting the treestand on the shoulder nut (12). Be sure that there are always at least two top tree blade teeth contacting the tree.



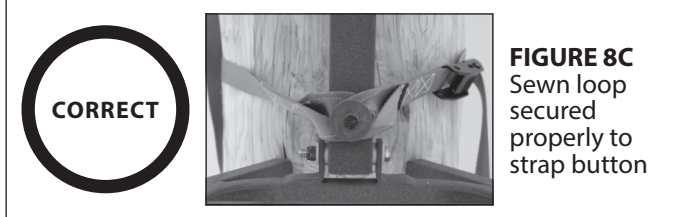
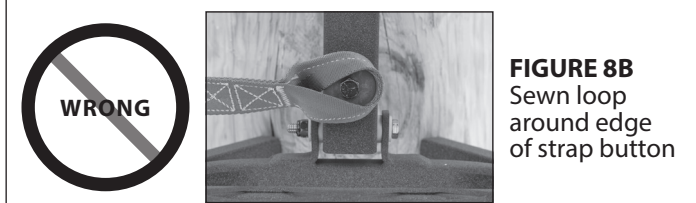
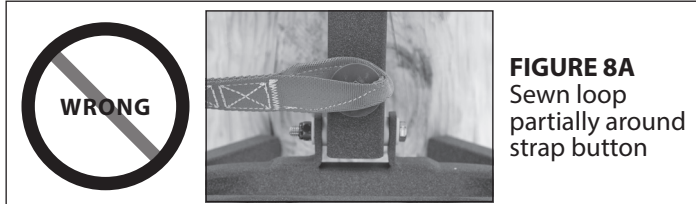
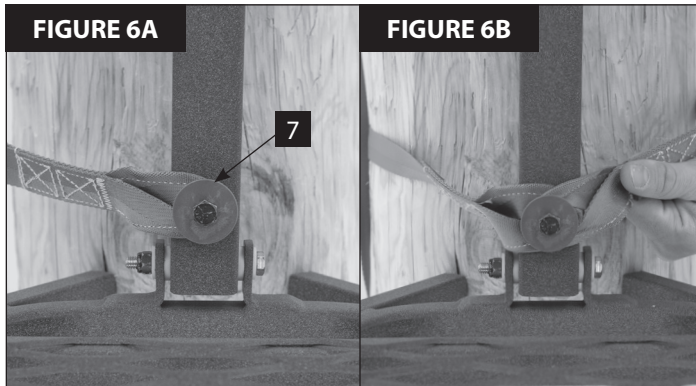
During installation and removal of a hang-on treestand, you must always and properly use the included Full Body Harness (Fall Arrest System) with climbing belt. Refer to the Full Body Harness and climbing belt instructions included with this product for proper use. You must always use the Full Body Harness while using this product.

CRITICAL STRAP ATTACHMENT INSTRUCTIONS

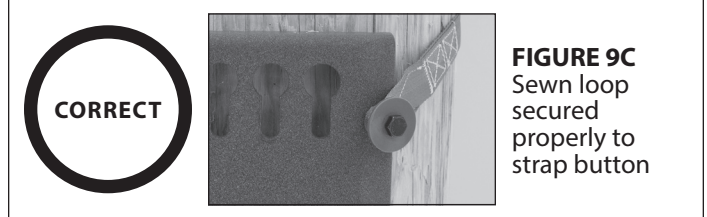
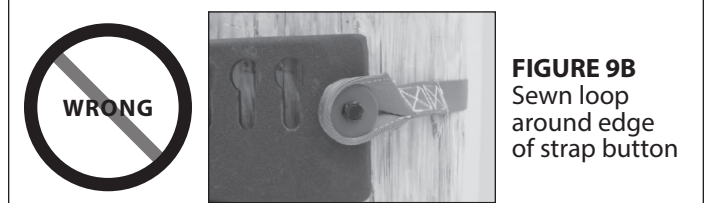
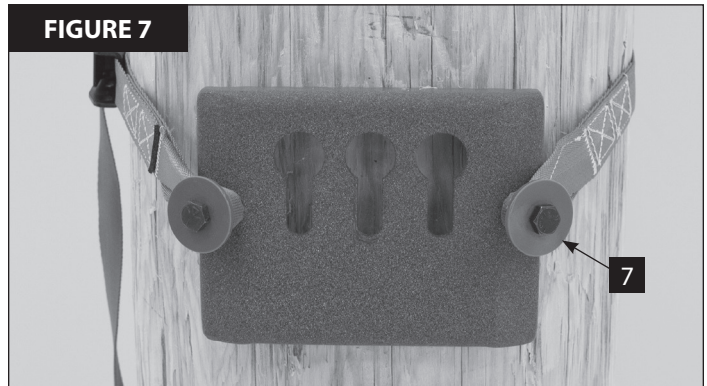
Improper strap attachment to the treestand and/or improper treestand attachment to the tree may lead to serious injury or death due to sudden release of an incorrectly attached strap(s)/treestand!

1. The cam strap can be attached so that the sewn loop side with the cam buckle is on either side of the treestand or Next Level Treestand Bracket depending on your left or right hand installation preference. Make sure to always orientate climbing aid to the cam buckle side of the strap so the cam buckle is positioned on the near side of the tree during installation. Attach the sewn loop of the long end of the strap to the strap button (7) by sliding sewn loop completely over the strap button (SEE FIGURE 6A & FIGURE 7).
2. The sewn loop on the cam buckle end of the strap secures to the same strap button (7) located on the treestand and on the opposite side of the Next Level Treestand Bracket in the same way as described in Step 1 by sliding sewn loop completely over the strap button (SEE FIGURE 6B & FIGURE 7).
3. It is critical that you secure the sewn loops of the straps to the strap button(s) properly and securely, your life depends on it! (SEE FIGURE 8C & 9C). **DO NOT** attach sewn loops of the strap as shown in (FIGURES 8A-9B) or any other incorrect fashion or you may be seriously injured or killed due to sudden release of an incorrectly attached strap/treestand to the tree!

TREE STRAP



NEXT LEVEL TREESTAND BRACKET



WARNING

- ▲ **NEVER** use a treestand on a dead, leaning, diseased or loose barked tree, or a utility pole. Always avoid electrical power lines.
- ▲ It is critical to familiarize yourself with how the strap(s) attaches to the stand. Practice attaching the stand to the tree several times at ground level before ascending up the tree.
- ▲ All users are responsible for ensuring strap(s) are attached to treestand properly and securely. Failure to do so may result in serious injury or death. Read and understand all instructions for proper installation procedure and product warnings before use.

WARNING

- ▲ **DO NOT** twist strap(s) when attaching. See setup and use instructions for correct attachment.
- ▲ **ALWAYS** climb tree on the attachment side of this treestand. Visually inspect your connection to be assured you have correctly attached stand to tree as per instructions and diagrams.
- ▲ The use of a lineman's/climbing belt is required while ascending, descending and installing a hang-on treestand to stabilize the user with the tree.
- ▲ Correct tightening and adjustments of chains, cables, straps, etc. are critical to stable hang-on treestand installation. All treestand contact points must be in contact with the tree before you step onto your stand.
- ▲ **NEVER** touch or move strap buckle(s) while stand is in use.
- ▲ If seat is removable, be certain it is securely attached when in use.
- ▲ **NEVER** stand on seat, it is designed for sitting only.
- ▲ Some models include a footrest, which is designed as a footrest only. **NEVER** stand on footrest! Always be fully aware of foot placement.

⚠ WARNING

⚠ This treestand is intended to be used with all straps securely attached to the stand. **DO NOT** use this stand unless all straps are properly attached according to the manufacturer's instructions, your life depends on it!

TREE ATTACHMENT INSTRUCTIONS

1. To attach the treestand to the tree, begin by attaching the Next Level Treestand Bracket to the tree. Attach the sewn loop of the long end of the strap to the Next Level Treestand Bracket. Then wrap the strap around the tree and connect the other end to the other side. **(SEE FIGURE 10)**. Be sure to have familiarized yourself with the Critical Strap Attachment Instructions on Page 9 prior to installation.

NOTE: Make sure that the strap is even, there are no twists, and it is at the same level all the way around the tree.

2. Pull the strap tight while holding the Next Level Treestand Bracket in place. Finally, push down on the top of the Next Level Treestand Bracket to lock it into place. **(SEE FIGURE 11)**
3. While the platform is folded up, attach the treestand to the Next Level Treestand Bracket by inserting the shoulder nut (12) into one of the three keyhole slots based on how the tree is leaning. See using the Next Level Treestand Bracket Use Instructions on Page 8.
4. While the platform is still folded up, push down on the stand to ensure that the shoulder bolt is securely located at the bottom of the keyhole. This will also help take out any remaining slack from the Next Level Treestand Bracket cam strap. **(SEE FIGURE 12)**.

NOTE: It is critical that the shoulder bolt is located at the bottom of the keyhole, your life depends on it!

FIGURE 10



FIGURE 11

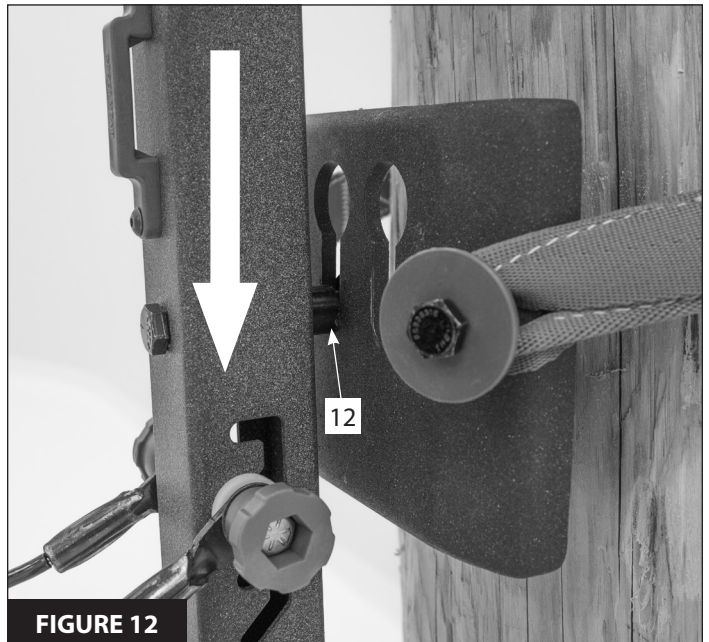
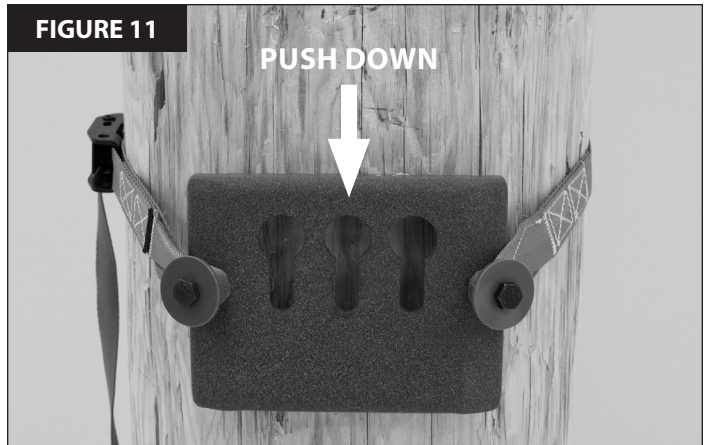


FIGURE 12

⚠ WARNING

⚠ **DO NOT** use the treestand if the shoulder bolt is not at the bottom of the keyhole or any other incorrect fashion or you may be seriously injured or killed due to sudden release of an incorrectly attached treestand to the tree!

TREE ATTACHMENT INSTRUCTIONS CONT.

- Once the shoulder bolt is secure in the bottom of the keyhole, pivot the platform down (**SEE FIGURE 13**). This lever-action will snug stand up tight to the tree to prevent any shifting. Redo as necessary to accomplish a snug stand-to-tree fit. Both contact points of platform must be touching the tree!

NOTE: This lever-action will pull the Next Level Treestand Bracket away from the tree (which is normal) and prevent any shifting of the stand.

- At this time, follow the platform and seat angle adjustment instructions from Page 7 to adjust the treestand properly.
- Feed the webbing end of your ratchet assembly (30) through the strap guide (11) and around the tree (**SEE FIGURE 14**).

NOTE: Be sure that there are no twists in the strap while feeding through the strap guide.

- Feed the webbing end through the center slot of the ratcheting mechanism and back through the tightening lever. (**SEE FIGURE 15A-15B**) Position the ratchet assembly on the direct opposite side of the treestand and pull webbing end through the ratchet until most of the slack is taken out. Be sure the entire strap is even and at the same level all around tree. "Ratchet" tight to tree. (**SEE FIGURE 15C**)

*NOTE: To release ratchet, simply pull the release lever and open tightening lever wide open (flat). (**SEE FIGURE 15D**)*



FIGURE 13

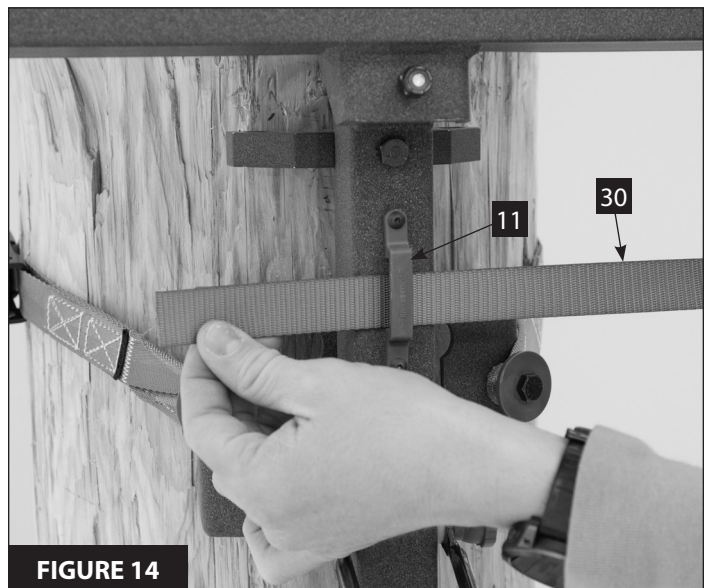


FIGURE 14

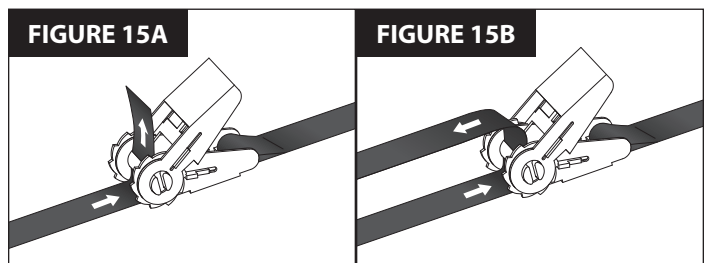


FIGURE 15A

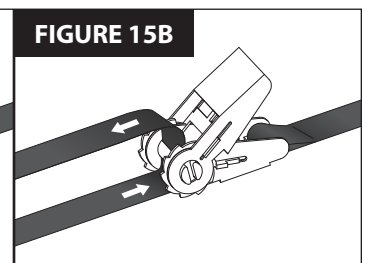


FIGURE 15B

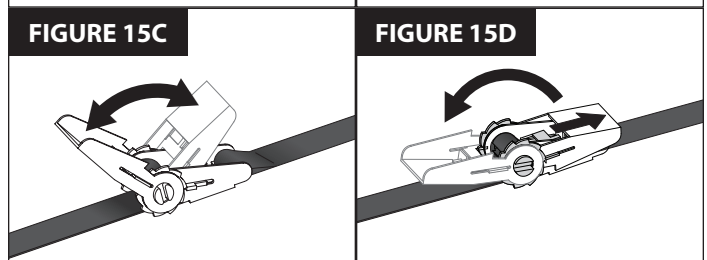


FIGURE 15C

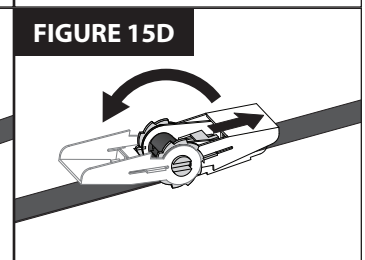


FIGURE 15D

⚠ WARNING

- ⚠ **DO NOT** install the bottom strap with platform folded up to avoid damaging your treestand!
- ⚠ While pivoting the platform down at any time, do not force it. Adjust the position of the treestand on the tree or the tension in the straps until it can be levered into place easily and securely.
- ⚠ Platform must be folded up to remove stand! This allows slack in strap for removal.

TREE ATTACHMENT INSTRUCTIONS CONT.

9. After the treestand is securely attached with the ratchet strap, attach the bottom cam strap to increase the stability. To do so, leave the platform in the level position, install the strap following the Critical Strap Attachment Instructions on Page 9. **(SEE FIGURE 16). SEE WARNINGS!**
10. Before stepping down onto center of stand platform, be sure it is secured properly and is tight against tree with both contact points of the platform and the top tree blade contacting the tree!
11. Carefully step onto stand platform to be sure you have a solid feel against tree and platform is level. Seat folds down for sitting and flips up for standing.
12. When ready to remove stand from the tree, fold platform back up and release the tension from the bottom cam strap. Remove the bottom cam strap, then release the tension from the ratchet strap by pulling the release lever and open tightening lever wide open (flat). Remove the ratchet strap, then lift the treestand out of the Next Level Treestand Bracket.
13. If you plan to leave your Next Level Treestand Bracket in the tree, be sure to remove any slack in the cam strap so the bracket is ready for the next installation.



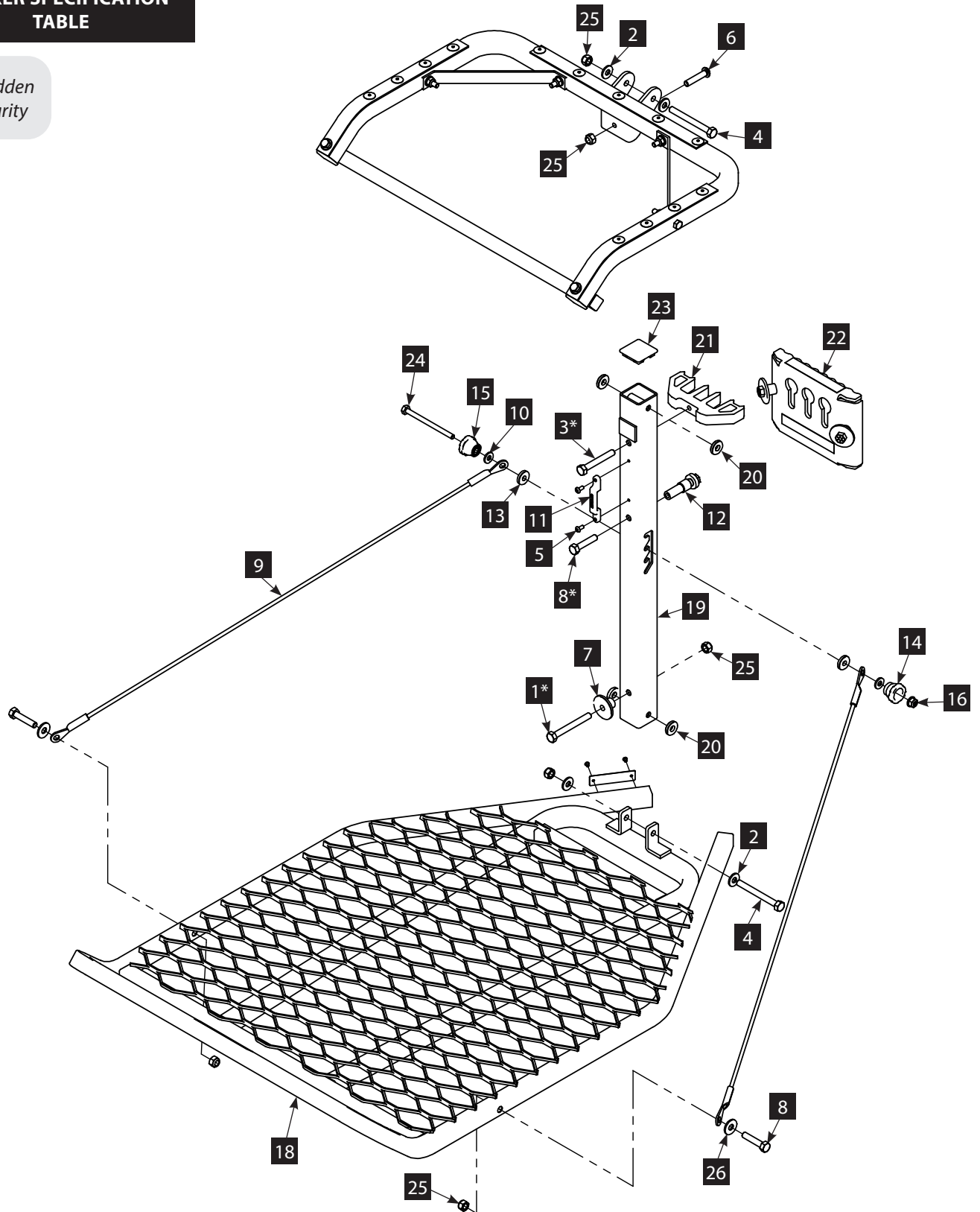
FIGURE 16

WARNING! DO NOT INSTALL THE BOTTOM STRAP WITH PLATFORM FOLDED UP TO AVOID DAMAGING YOUR TREESTAND!



***SEE TORQUE AND THREAD LOCKER SPECIFICATION TABLE**

seat hidden for clarity



ITEM #	PART #	DESCRIPTION	QTY.
1	17949	BOLT 5/16-18 X 2-3/4 IN	1
2	23523	5/16 IN YELLOW WASHER	4
3	27950	BOLT 5/16 X 2-1/4 IN	1
4	29010B	BOLT 5/16 X 3 IN	1
5	43641	BOLT 8-32 X 3/8 IN	2
6	43654	BOLT 5/16 X 1-1/2 IN	1
7	47153	BUTTON STRAP ATTACHMENT	1
8	48152	BOLT 5/16 X 1-1/2 IN	3
9	48212	BROWN CABLE 28 IN	2
10	48261B	WASHER STEEL 1/4 IN	2
11	48293	STRAP GUIDE	1
12	48294	SHOULDER NUT 5/16 X 1 IN	1
13	48309	YELLOW PLASTIC SPACER 7MM	2
14	48318	PLASTIC KNOB NUT SIDE	1
15	48319	PLASTIC KNOB BOLT SIDE	1
16	48752B	NUT 1/4 IN	1
17	48970	SEAT ASSEMBLY	1
18	48994	PLATFORM	1
19	48995	SEAT POST	1
20	49070	YELLOW PLASTIC SPACER 8.5MM	4
21	49072	TOP TREE BLADE	1
22	49095	NEXT LEVEL TREESTAND BRACKET	1
23	49099	PLUG 38MM	1
24	49561	BOLT 1/4 X 3-1/2 IN	1
25	60G5NYB	NUT 5/16 IN	6
26	WF516B	WASHER STEEL 5/16	2
ITEMS BELOW NOT SHOWN			
27	15599	CLIMBING BELT	1
28	43375	FULL BODY HARNESS (FAS)	1
29	48985	CAM STRAP 8 FT	2
30	49188	RATCHET STRAP 8 FT	1

TORQUE AND THREAD LOCKER SPECIFICATIONS			
ITEM #	PART #	TORQUE (Nm)	THREAD LOCKER
1	17949	8	N/A
3	27950	15	*APPLY MEDIUM STRENGTH, BLUE THREAD LOCKER WHEN SERVICING OR REASSEMBLING THESE BOLTS
8	48152	15	*APPLY MEDIUM STRENGTH, BLUE THREAD LOCKER WHEN SERVICING OR REASSEMBLING THESE BOLTS



WE ARE HUNTERS

Rivers Edge® Treestands, Inc.

1730 Industrial Avenue, PO Box 755
Cumberland, WI 54829

Phone: 800-345-6007

www.HuntRiversEdge.com

*All weights, specifications and features are approximate and are subject to change without notice. Due to continuous product improvements, product images may not be exact. Warning labels in some product images may have been removed for photography purposes only. Props shown in photos not included. Some assembly may be required.



NOUS SOMMES DES CHASSEURS



Manuel de l'utilisateur

OUTLAW XL Treestand suspendu

MODÈLE RE520

**Capacité nominale
maximale**

159 kg (350 lb)

Diamètre d'arbre :

20 à 51 cm (8 à 20 po)

Je porte mon harnais!



ATTENTION

**LISEZ TOUTES LES INSTRUCTIONS ÉCRITES ET VISIONNEZ
CETTE VIDÉO DE SÉCURITÉ AVANT L'UTILISATION!**



**VISIONNEZ CETTE VIDÉO DE
SÉCURITÉ AVANT L'UTILISATION!**

Lisez ➔



ou Visitez ➔ www.standsafety.com/r1

Lisez le code QR avec un téléphone intelligent,
une tablette ou un appareil semblable.

OU

Entrez l'adresse du site web dans votre
navigateur pour visionner une vidéo importante
sur la sécurité avant d'utiliser ce produit.

SÉCURITÉ DU TREESTAND SUSPENDU

PRODUCT MEETS
INDUSTRY STANDARDS
RECOGNIZED BY



PARTICIPATING MEMBER

Pièces détachées en ligne à
www.HuntRiversEdge.com

© 2025 Ardisam, Inc.
Tous droits réservés

Réf. : 49199
C/N : 49212
RÉV1 : 12/02/25

INTRODUCTION

Les treestands Rivers Edge® sont conçus spécifiquement à l'intention du chasseur. Nous vous remercions d'avoir acheté un de nos treestands de renommée mondiale. Veuillez à suivre ces instructions simples et votre treestand offrira de nombreuses années de service sans problème. Il est conseillé de conserver les instructions dans un endroit sûr et de les relire au moins une fois par an.

En cas de quelconques problèmes avec le produit, **NE PAS le renvoyer au revendeur**; communiquer avec le service après-vente Rivers Edge® au 800-345-6007 pour assistance.

SOMMAIRE

Introduction/Garantie	18
Avertissements.....	19-20
Contrôle et entretien.....	20
Identification de la visserie	21
Instructions d'assemblage	22
Réglage du treestand.....	23
Mode d'emploi du support de treestand Next Level	24
Instructions importantes de fixation des sangles	25
Avertissements.....	26
Instructions de fixation	27-29
Illustration des pièces détachées	30
Nomenclature des pièces.....	31

GARANTIE

Ardisam, Inc. offre une garantie d'un an sur tous les composants du treestand. Ces garanties s'appliquent au propriétaire initial muni d'une preuve d'achat. Ces garanties prennent effet à la date d'achat par le premier acheteur au détail et s'étendent sur la période indiquée ci-dessus. Ces garanties s'appliquent à des produits qui ne sont pas modifiés, maltraités ou utilisés d'une façon non conforme à l'usage prévu du produit. Une légère décoloration est normale et n'est pas couverte par la garantie. Toute corrosion des surfaces peintes résultant de l'enlèvement ou de l'endommagement de la peinture n'est pas non plus couverte par la garantie. Ardisam, Inc. n'offre aucune autre garantie explicite ou implicite. Les produits pour lesquels des travaux de garantie ont été approuvés doivent être envoyés directement à Ardisam, Inc. et exécutés par Ardisam, Inc. **Pour recourir aux services de réparation ou de remplacement sous garantie, l'accord préalable d'Ardisam, Inc. doit être obtenu avant l'envoi du colis en appelant notre service après-vente au 800-345-6007 ou en écrivant à : Ardisam, Inc., P.O. Box 755, 1730 Industrial Avenue, Cumberland, WI 54829 (USA) pour obtenir un numéro d'autorisation de renvoi de matériel (RMA#).** Tous les articles doivent être expédiés en port payé. Ardisam, Inc., à son entière discrétion, réparera ou remplacera sans frais tout produit qui remplit les conditions énoncées ci-dessus. Ardisam, Inc. se réserve le droit de modifier les modèles, les caractéristiques et les prix sans préavis.

CONSIGNES DE SÉCURITÉ

Ce matériel a été fabriqué dans le respect de strictes règles de qualité et de sécurité. Comme pour tout matériel de ce type, il est obligatoire et impératif de comprendre complètement le mode d'emploi pour assurer la sécurité de son utilisateur. Ardisam, Inc. décline toute responsabilité pour les dommages matériels ou corporels subis à la suite d'une utilisation inappropriée ou d'une modification de l'un quelconque de ses produits ou résultant de toute utilisation non conforme à l'usage prévu du produit. Ardisam, Inc. décline toute responsabilité pour les dommages corporels subis parce que le mode d'emploi n'a pas été lu ou respecté. Tout malentendu ou toute question concernant les produits ou leur utilisation doivent être adressés à Ardisam, Inc. avant toute utilisation. **Tous les treestands Rivers Edge® sont vendus avec un harnais intégral (« système antichute ») qui répond aux normes de la Treestand Manufacturer's Association (« TMA »).** Le propriétaire a pour entière responsabilité de vérifier régulièrement le bon état du produit, sa bonne installation et l'absence de conditions susceptibles de compromettre la sécurité finale du produit. Le fait de ne pas utiliser le système antichute fourni ou sa mauvaise utilisation peuvent entraîner des blessures graves, voire mortelles. **TOUJOURS porter le système antichute fourni lors de l'utilisation de ce produit. Le propriétaire a pour responsabilité de comprendre et de respecter la capacité de poids nominale du produit sur le terrain et ne doit jamais dépasser sa capacité nominale maximale.** Ardisam, Inc. décline toute responsabilité pour tout problème de fonctionnement ou toute blessure résultant de l'usure normale ou de dommages causés par une mauvaise utilisation, un mauvais entretien, une négligence ou un accident. Ce produit, s'il est utilisé de façon sécuritaire aux fins prévues, fonctionnera sans problème pendant toute sa durée de vie. Nous espérons que vous apprécierez la qualité de nos produits pendant de nombreuses années et vous souhaitons une bonne chasse.

ARRÊT

LIRE ET COMPRENDRE LES MISES EN GARDE SUIVANTES AVANT D'ASSEMBLER

MODÈLE RE520

CAPACITÉ MAXIMALE - UNE (1) PERSONNE
LIMITE DE POIDS TOTALE - 136 KG (350 LB)
DIAMÈTRE D'ARBRE - 20 À 51 CM (8 À 20 PO)



AVERTISSEMENT

- ▲ Ce produit est soumis à de strictes restrictions de poids. **NE PAS** utiliser ce produit en cas de dépassement de la limite de poids total. On notera que le poids total comprend le ou les utilisateurs et tout leur matériel.



AVERTISSEMENT

- ▲ **LORSQU'ON CHASSE À PARTIR D'UN TREESTAND, UNE CHUTE EST POSSIBLE À TOUT MOMENT APRÈS AVOIR QUITTÉ LE SOL, POUVANT PROVOQUER DES BLESSURES OU LA MORT.**
- ▲ **TOUJOURS** porter un système antichute comportant un harnais intégral à tout moment après avoir quitté le sol. Veiller à rester attaché en permanence après avoir quitté le sol lors de l'utilisation d'aides à l'escalade et de treestands. Les ceintures de sécurité simples et les baudriers de poitrine ne sont plus autorisés et ne doivent jamais être utilisés. Ne pas quitter le sol à moins de porter un harnais intégral correctement attaché à l'arbre pour protéger contre les chutes.
- ▲ **LIRE ET COMPRENDRE** toutes les mises en garde et instructions du fabricant et utiliser tous les dispositifs de sécurité prévus par le fabricant. Pour écarter les risques de blessure ou de mort, adresser toute question directement au fabricant.
- ▲ **NE JAMAIS** dépasser la limite de poids total du treestand.
- ▲ **NE JAMAIS** utiliser un treestand lors d'intempéries telles que la pluie, des éclairs, une tempête de vent ou du verglas. Interrompre la chasse et redescendre si les conditions météo se dégradent.
- ▲ **NE JAMAIS** utiliser un treestand après avoir consommé des drogues (même des médicaments sur ordonnance) ou de l'alcool.
- ▲ **NE JAMAIS** utiliser un treestand en cas de sensation de malaise, de nausées ou de vertiges, en cas d'état de santé antérieur susceptible de causer un problème, notamment une affection cardiaque, des blocages articulaires, une fusion vertébrale, etc. ou si on n'est pas bien reposé. **NE JAMAIS** dormir dans un treestand.
- ▲ **NE JAMAIS** utiliser un treestand sur un arbre mort, penché, malade ou dont l'écorce se détache ni sur un poteau électrique. **TOUJOURS** éviter les lignes électriques.
- ▲ **NE JAMAIS** utiliser une branche d'arbre en tant que support.
- ▲ **NE JAMAIS** sauter sur un treestand pour bien l'asseoir sur l'arbre.
- ▲ Ne hisser un arc, un sac à dos, une arme à feu ou tout autre matériel qu'après s'être installé en toute sécurité dans le treestand. Une arme à feu devra être hissée déchargée, avec la chambre ouverte et la bouche du canon vers le bas.



AVERTISSEMENT

- ▲ **TOUJOURS** informer quelqu'un du lieu de chasse, de l'emplacement du treestand et de la durée prévue de la chasse.
- ▲ Un moyen de signalisation tel qu'un téléphone portable, une radio, un sifflet, une fusée de signalisation ou une balise de localisation personnelle (BLP) devra être porté en permanence sur soi et facilement accessible.
- ▲ Vérifier le treestand et tous les dispositifs de sécurité avant chaque utilisation et **NE PAS** entreposer le treestand à l'extérieur entre les utilisations.
- ▲ **NE JAMAIS** modifier le treestand de quelque façon que ce soit, par des réparations, le remplacement de pièces ou autres altérations, sauf sur autorisation écrite explicite du fabricant.
- ▲ S'entraîner à installer, à régler et à utiliser le treestand au niveau du sol avant de l'utiliser en hauteur. Étudier le nouveau treestand pour se familiariser avec toutes ses caractéristiques et sa conception. Cela permet de vérifier que le produit a été fabriqué, assemblé et installé correctement.
- ▲ Il est conseillé de conserver les instructions (écrites ou vidéo) dans un endroit sûr et de les revoir au moins une fois par an. Il relève de la responsabilité du propriétaire du treestand de fournir des instructions complètes à toute personne qui emprunte ou achète le treestand.
- ▲ Le port d'une ceinture d'escalade/de monteur de ligne est obligatoire lors du montage d'un treestand suspendu pour attacher l'utilisateur à l'arbre.
- ▲ Le serrage et l'ajustement corrects des chaînes, câbles, sangles, etc. sont essentiels pour assurer une installation stable du treestand suspendu. Tous les points de contact du treestand doivent être en contact avec l'arbre avant qu'on ne monte dessus.
- ▲ **NE JAMAIS** laisser un treestand dans un arbre pendant plus de deux semaines pour éviter qu'il soit endommagé par les intempéries ou les animaux. La croissance des arbres peut également tirer sur les sangles et les boucles et les endommager.
- ▲ S'entraîner à attacher le treestand suspendu au niveau du sol avant de l'utiliser dans un environnement de chasse. Cela permet de vérifier que le produit a été fabriqué, assemblé et installé correctement. Il est impératif d'effectuer une installation et un essai au niveau du sol d'abord pour écarter les risques de blessures graves, voire mortelles.
- ▲ Utiliser un filin pour élever ou abaisser le treestand. **NE JAMAIS** grimper avec quoi que ce soit sur le dos.
- ▲ **TOUJOURS** s'incliner vers l'avant pour monter ou descendre d'une échelle ou d'une aide à l'escalade.
- ▲ **NE JAMAIS** se pencher au-delà de son bord.
- ▲ Les aides à l'escalade (échelles à barreaux, échelles sectionnelles, marches, etc.) doivent dépasser de la plateforme pour permettre à l'utilisateur de descendre sur la plateforme. **NE JAMAIS** monter sur le treestand à partir d'une aide à l'escalade placée plus bas. Pour s'assurer qu'on descend effectivement sur la plateforme, la hauteur maximale d'utilisation recommandée est de 1,5 m (5 pi) de moins que la hauteur de l'aide à l'escalade utilisée.



AVERTISSEMENT

- ▲ **TOUJOURS** maintenir trois (3) points de contact lors de l'ascension sur une échelle d'affût ou un treestand suspendu. Un bon contact en trois points signifie qu'il y a à tout moment deux pieds et une main ou un pied et deux mains posés sur un échelon de l'échelle ou de l'aide à l'escalade.
- ▲ **NE PAS** utiliser ce produit avant d'avoir visionné la vidéo de sécurité, de l'avoir comprise et d'avoir mis en pratique les techniques de chasse sécuritaire présentées dans cette vidéo. La vidéo est accessible au moyen du code QR ou de l'URL figurant sur la couverture de ce manuel.
- ▲ Lire et suivre les instructions de contrôle et d'entretien avant chaque utilisation. Remplacer immédiatement tout composant en état douteux par des pièces de rechange d'origine Rivers Edge®.
- ▲ **NE PAS** écraser le tube lors du serrage des boulons! Veiller à identifier et à se familiariser avec toutes les pièces avant de commencer. Il y a une carte d'identification de la visserie à la page suivante.
- ▲ Revérifier les étapes de l'assemblage pour s'assurer d'avoir correctement assemblé ce produit.
- ▲ **NE JAMAIS** utiliser un produit qui n'a pas été entretenu ou inspecté correctement — Votre vie en dépend!
- ▲ Changer toutes les sangles du treestand tous les deux ans ou dès qu'elles présentent des signes de détérioration ou d'usure.
- ▲ **NE PAS** utiliser d'autres types tiers d'aides à la suspension, de systèmes de fixation ou tout autre type de mécanisme non conçus par Rivers Edge® Treestands pour attacher le treestand à un arbre. Ces dispositifs peuvent avoir un effet négatif sur la stabilité du treestand dans l'arbre et réduire ou entraver le bon serrage, l'adhérence à l'arbre et le fonctionnement du treestand sur l'arbre, pouvant entraîner des blessures graves ou la mort.
- ▲ La plateforme doit être repliée pour retirer le treestand! Cela détend la ou les sangles pour permettre l'enlèvement.
- ▲ **TOUJOURS** grimper à l'arbre par côté attaches du treestand. Vérifier visuellement que le treestand a été correctement attaché à l'arbre, conformément aux instructions et aux illustrations.
- ▲ **TOUJOURS** porter des chaussures adaptées pour utiliser un treestand suspendu. Un bon brodequin de sécurité antidérapant est important pour la sécurité personnelle. Veiller tout particulièrement à éviter que les lacets des chaussures n'accrochent le poste d'affût ou l'un de ses composants (pousser les lacets dans les chaussures avant de grimper).
- ▲ **NE JAMAIS** toucher ni déplacer des boucles de sangle durant l'utilisation du treestand.

CONTRÔLE ET ENTRETIEN

AVANT CHAQUE UTILISATION, PROCÉDER COMME SUIT :

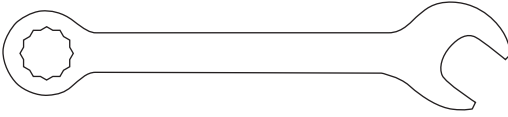
- Contrôler l'état général et l'usure de toutes les sangles, filins, cordages et courroies.
- Vérifier que les câbles et leurs extrémités ne sont pas endommagés ni pincés.
- Vérifier que la visserie et les éléments de chaîne ne sont pas endommagés ou usés.
- Vérifier que le produit ne présente pas de dommages structurels (s'il y en a, cesser immédiatement d'utiliser le produit et appeler notre service après-vente).
- Vérifier que toutes les vis et tous les écrous sont bien serrés.
- Vérifier qu'il ne manque aucune pièce.
- Lubrifier tous les pivots et les assemblages coulissants avec du graphite en poudre, de la vaseline ou du silicone en aérosol pour éviter le bruit, l'usure et la rouille.
- Contrôler l'ensemble du produit pour vérifier l'absence de rouille, de corrosion, de fissures, de dommages par le gel ou par une chaleur excessive et de pourriture susceptibles de nuire à la sécurité du produit. Mettre tout produit douteux au rebut.
- Contrôler l'ensemble du produit pour vérifier l'absence de dommages structurels; accorder attention particulière à tous les assemblage soudés (mettre tout produit endommagé au rebut).
- À l'aide des bonnes clés, contrôler tous les assemblages boulonnés et resserrer les vis et écrous comme il se doit. Attention à ne pas écraser le tube lors du serrage!
- Inspecter et vérifier le bon fonctionnement de tous les câbles, extrémités de câbles, filins, cordes, sangles et mécanismes à courroie ou à chaîne. Remplacer par des pièces de rechange d'origine tout élément ou assemblage présentant des signes d'usure, de détérioration, de pincement ou de mauvais fonctionnement.
- Vérifier que le siège n'est pas endommagé ni usé. Remplacer par un siège neuf d'origine tout siège présentant des signes de dommage structurel ou d'usure.
- Ne jamais modifier le treestand de quelque façon que ce soit, par des réparations, le remplacement de pièces ou autres altérations par l'ajout ou la fixation de quoi que ce soit, sauf sur autorisation écrite explicite du fabricant.



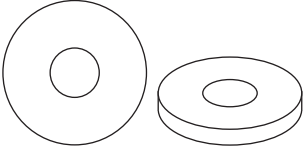
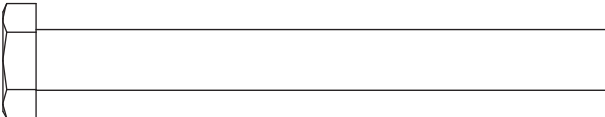

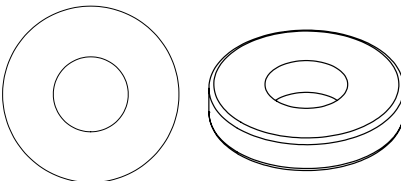
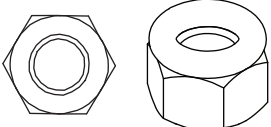
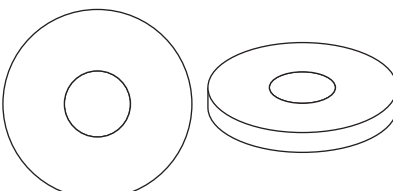
AVERTISSEMENT

- ▲ Utiliser uniquement des pièces Rivers Edge® homologuées pour éviter des blessures graves, voire mortelles.

OUTILLAGE NÉCESSAIRE

Article	N° réf.	Description	Illustration	Qté
-	-	CLÉ DE 1/2 PO (NON FOURNIE)		2

VISSERIE

Article	N° réf.	Description	Illustration	Qté
2	23523	RONDELLE JAUNE 5/16 PO		2
4	29010B	VIS 5/16 X 3 PO		1
8	48152	VIS 5/16 X 1-1/2 PO		2
20	49070	BAGUE D'ESPACEMENT PLASTIQUE JAUNE		2
25	60G5NYB	ÉCROU 5/16 PO		3
26	WF516B	RONDELLE 5/16 PO		2

- **TOUS L'ASSEMBLAGE DOIT ÊTRE EFFECTUÉ DANS CET ORDRE SUR LE SOL AVANT UTILISATION.**
- **NE PAS ENLEVER LES ÉTIQUETTES OU AUTOCOLLANTS DE MISE EN GARDE DU PRODUIT, ILS SONT LÀ POUR DES RAISONS DE SÉCURITÉ.**
- **UTILISATION RECOMMANDÉE PAR UN ADULTE SEULEMENT.**



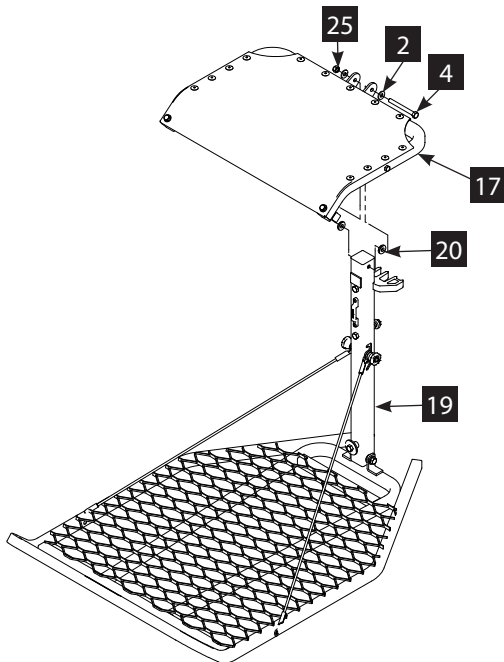
AVERTISSEMENT

- ▲ **NE JAMAIS** utiliser, monter ou démonter un treestand sur un arbre mort, penché, malade ou dont l'écorce se détache ni sur un poteau électrique.
- ▲ **TOUJOURS** éviter les lignes électriques.
- ▲ Mettre la ou les sangles dans une poche pour les monter — **NE PAS** les tenir dans la main!

CONSEIL D'ASSEMBLAGE IMPORTANT :

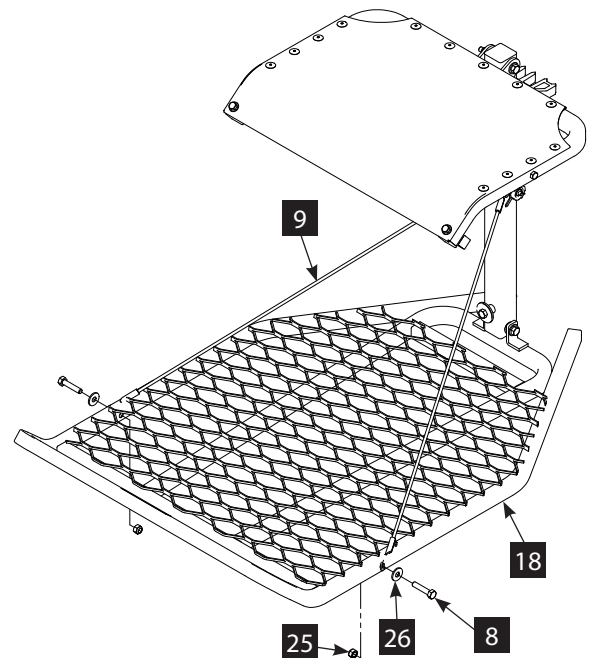
Ne serrer aucun ensemble vis et écrou complètement avant d'avoir assemblé toutes les pièces boulonnées. Serrer au doigt puis d'un tour supplémentaire à la clé seulement! Cela maintient provisoirement le contre-écrou sur la vis tout en permettant le bon alignement de toutes les pièces. Une fois toutes les pièces assemblées, tous les ensembles vis et écrous doivent être complètement serrés.

ÉTAPE 1



1. Attacher le siège (17) au montant de siège (19) avec une vis de 5/16 x 3 po (4), deux rondelles jaunes (2), deux bagues d'espacement jaunes (20) et un écrou (25).

2. Boulonner les câbles (9) à la plateforme (18) avec deux vis de 5/16 x 1-1/2 po (8), deux rondelles en acier (26) et deux écrous (25).



ÉTAPE 2

Ce treestand comporte des mécanismes de mise à niveau du siège et de la plate-forme. Suivre les instructions ci-dessous en se familiarisant avec ces mécanismes au niveau du sol avant de les utiliser.

RÉGLAGE D'INCLINAISON DE LA PLATEFORME

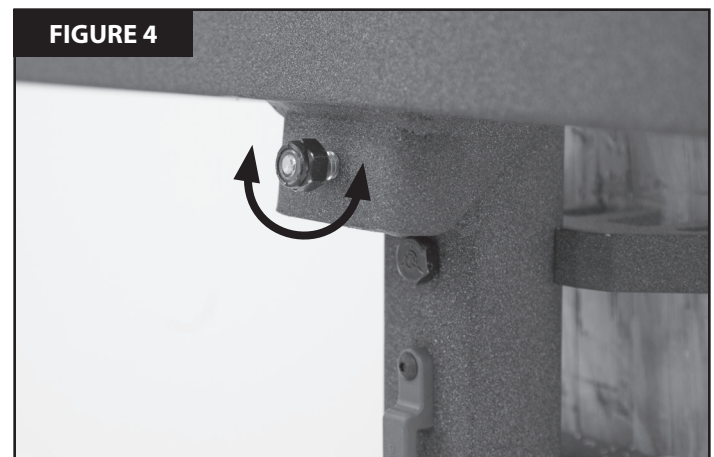
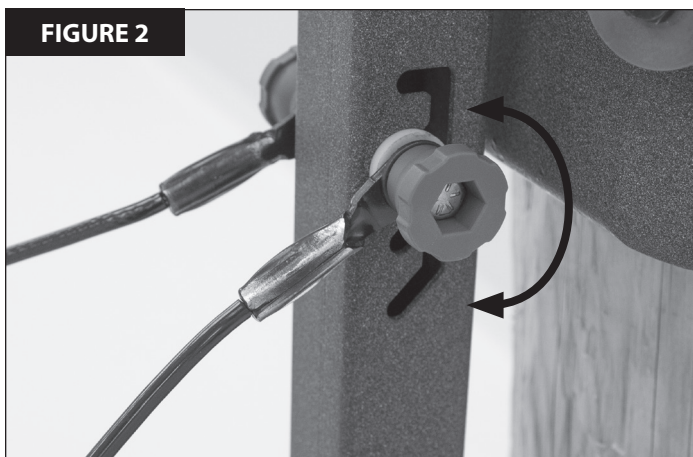
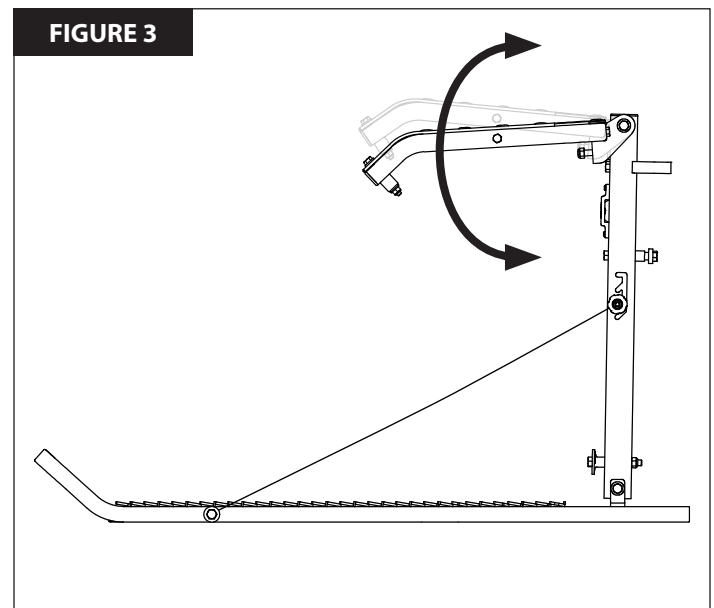
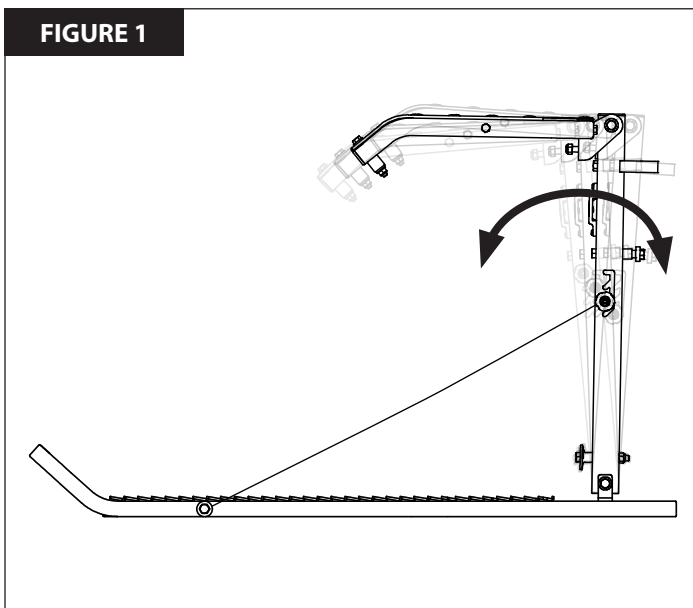
La plateforme a 4 positions de réglage : 85°, 88°, 91° et 94°. Après la pose initiale du treestand sur l'arbre et avant de monter sur la plateforme, procéder comme suit :

- Pour régler l'inclinaison de la plateforme, desserrer les boutons de fixation de câble, les engager dans les fentes de réglage souhaitées puis serrer les boutons à la main. **(VOIR FIGURES 1 ET 2)**
- Répéter l'opération jusqu'à ce obtenir la meilleure position, où la plateforme est légèrement inclinée vers le haut. La plateforme ne doit jamais être inclinée vers le bas durant l'utilisation.

RÉGLAGE D'INCLINAISON DU SIÈGE

Comme pour la plateforme, l'inclinaison du siège peut également être réglée pour permettre un confort optimal. Un bon point de départ est de le régler en position horizontale comme la plateforme, puis d'opérer à de petits ajustements à partir de là jusqu'à la position la plus confortable.

- Le siège repose sur une vis réglage qui peut être vissée ou dévissée à la main pour modifier l'inclinaison. **(VOIR FIGURES 3 ET 4)**
- Visser ou dévisser la vis jusqu'à obtenir l'angle d'assise souhaitée. Le siège ne doit jamais être incliné vers le bas durant l'utilisation.

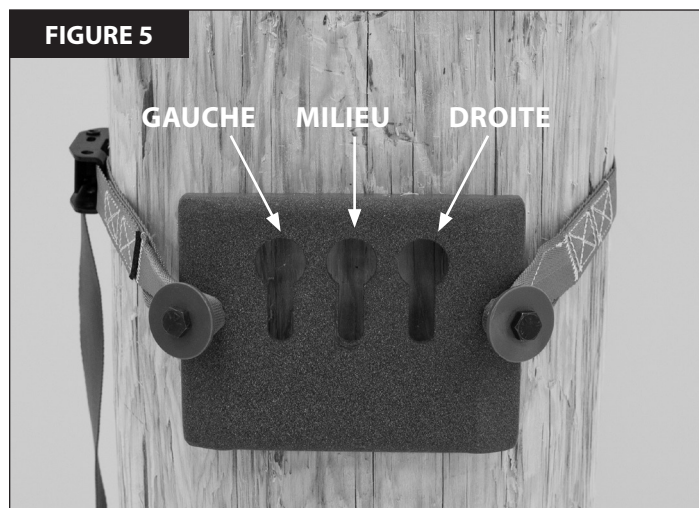


MISE À NIVEAU LATÉRALE

Le support de treestand Next Level comporte un dispositif de mise à niveau latérale qui permet de monter le treestand à l'horizontale sur des arbres penchés. Une fois que le support de treestand Next Level est en place, choisir l'un des trois trous en poire en fonction de l'inclinaison de l'arbre (**VOIR FIGURE 5**). Veiller à se familiariser avec ce dispositif au niveau du sol avant de l'utiliser.

- Utiliser le trou de **GAUCHE** sur des arbres qui penchent à droite.
- Utiliser le trou de **DROITE** sur des arbres qui penchent à gauche.
- Utiliser le trou du **MILIEU** sur des arbres qui penchent peu ou pas du tout.

Le degré d'inclinaison peut être ajusté en pivotant le treestand sur l'écrou à épaulement (12). S'assurer qu'il y a toujours au moins deux dents de la lame crantée supérieure au contact de l'arbre.



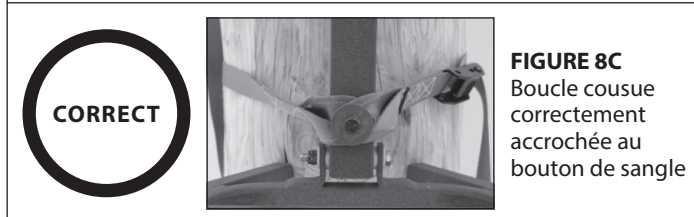
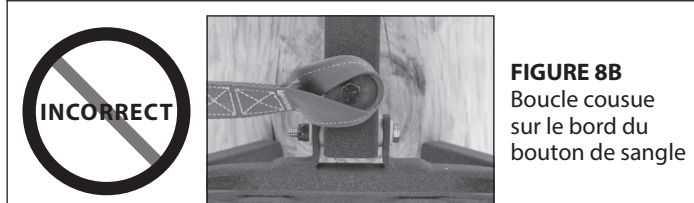
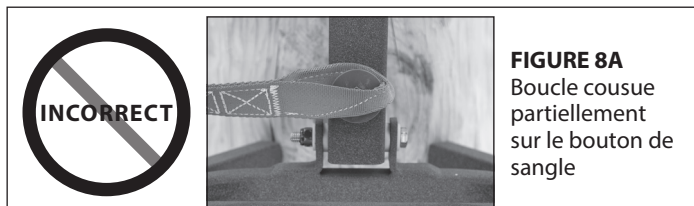
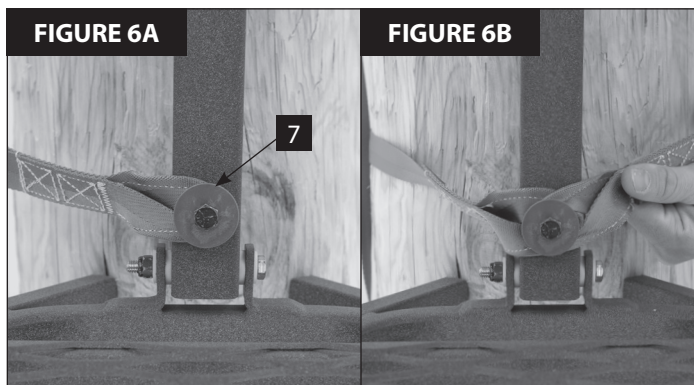
Durant la mise en place et le retrait d'un treestand suspendu, veiller à toujours utiliser correctement le harnais intégral (système antichute) avec ceinture d'escalade fourni. Pour cela, consulter le mode d'emploi du harnais intégral et de la ceinture d'escalade fournis avec ce produit. Le harnais intégral doit toujours être porté lors de l'utilisation de ce produit.

INSTRUCTIONS IMPORTANTES DE FIXATION DES SANGLES

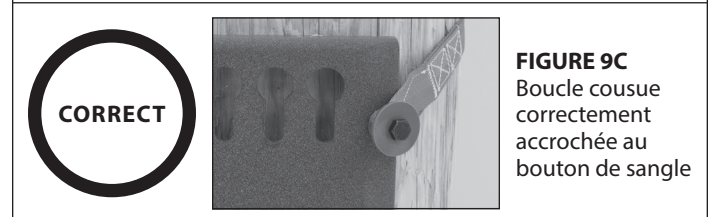
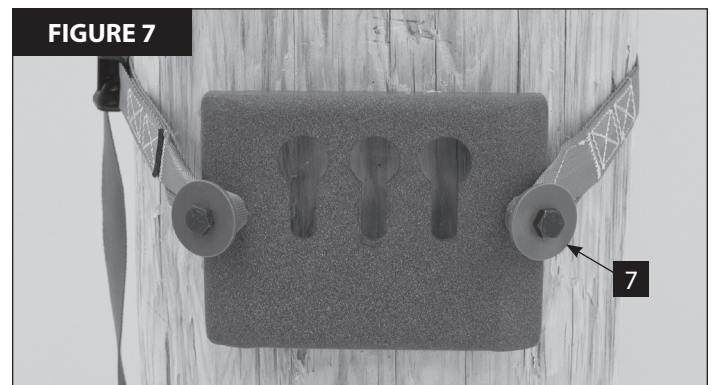
Une mauvaise fixation des sangles au treestand ou une mauvaise fixation du treestand à l'arbre peuvent entraîner des blessures graves, voire mortelles, si des sangles ou un treestand mal fixés se détachent soudainement!

1. La sangle à came peut être posée avec le côté de la sangle comportant la boucle à came placé d'un côté ou de l'autre du treestand ou du support de treestand Next Level, selon qu'on préfère une pose par la gauche ou la droite. Veiller à toujours orienter l'aide à l'escalade du côté de la boucle à came de la sangle afin que la boucle à came soit placée du côté accessible de l'arbre lors du montage. Attacher la boucle cousue du côté long de la sangle au bouton de sangle (7) en veillant à passer la boucle cousue complètement sur le bouton (**VOIR FIGURE 6A ET FIGURE 7**).
2. La boucle cousue du côté boucle à came de la sangle s'attache au même bouton de sangle (7) sur le treestand et sur au bouton opposé du support de treestand Next Level de la façon décrite à l'étape 1, en passant la boucle cousue complètement sur le bouton de sangle (**VOIR FIGURE 6B ET FIGURE 7**).
3. Il est essentiel que les boucles cousues des sangles soit attachées correctement et solidement aux boutons de sangle, sous peine de danger de mort! (**VOIR FIGURES 8C ET 9C**). **NE PAS** attacher les boucles cousues de la sangle comme illustré aux **FIGURES 8A à 9B** ou de toute autre manière incorrecte car le détachement soudain d'une sangle ou d'un treestand mal attachés peut provoquer des blessures graves ou mortelles.

SANGLE D'ARBRE



SUPPORT DE TREESTAND NEXT LEVEL



**AVERTISSEMENT**

- ▲ **NE JAMAIS** utiliser un treestand ou une aide à l'escalade sur un arbre mort, penché, malade ou dont l'écorce se détache ni sur un poteau électrique. Toujours éviter les lignes électriques.
- ▲ Il est essentiel de se familiariser avec la façon dont la sangle s'attache au treestand. S'entraîner à attacher le treestand à l'arbre plusieurs fois au niveau du sol avant de grimper à l'arbre.
- ▲ Tous les utilisateurs ont pour responsabilité de s'assurer que les sangles sont correctement et solidement attachées au treestand afin d'éviter les risques de blessures graves, voire mortelles. Veiller à lire et comprendre toutes les instructions de montage et les mises en garde avant utilisation.

**AVERTISSEMENT**

- ▲ **NE PAS** vriller les sangles en les attachant. Voir la fixation correcte dans les instructions de mise en place et d'utilisation.
- ▲ **TOUJOURS** grimper à l'arbre par le côté attaches du treestand. Vérifier visuellement que le treestand a été correctement attaché à l'arbre, conformément aux instructions et aux illustrations.
- ▲ Le port d'une ceinture d'escalade/de monteur de ligne est obligatoire durant l'ascension, la descente et l'installation d'un treestand suspendu pour attacher l'utilisateur à l'arbre.
- ▲ Le serrage et le réglage corrects des chaînes, des câbles, des sangles, etc. sont essentiels pour assurer la stabilité de l'installation d'un treestand suspendu. Tous les points de contact du treestand doivent être en contact avec l'arbre avant qu'on ne monte dessus.
- ▲ **NE JAMAIS** toucher ni déplacer des boucles de sangle durant l'utilisation du treestand.
- ▲ Si le siège est amovible, veiller à ce qu'il soit bien fixé durant l'utilisation.
- ▲ **NE JAMAIS** se tenir debout sur le siège, il est conçu pour s'asseoir uniquement.
- ▲ Certains modèles comportent un repose-pied, qui est conçu en tant que repose-pied uniquement. **NE JAMAIS** se tenir debout sur le repose-pied! Toujours être bien conscient de la position des pieds.

! AVERTISSEMENT

▲ Ce treestand est conçu pour être utilisé avec toutes les sangles solidement attachées. **NE PAS** utiliser de treestand si toutes les sangles ne sont pas correctement attachées conformément aux instructions du fabricant, sous peine de danger de mort!

INSTRUCTIONS DE FIXATION À L'ARBRE

1. Pour attacher le treestand à l'arbre, monter d'abord le support de treestand Next Level sur l'arbre. Attacher la boucle cousue du côté long de la sangle au support de treestand Next Level. Passer ensuite la sangle autour de l'arbre et attacher l'autre bout de la sangle de l'autre côté. **(VOIR FIGURE 10)**. Veiller à bien se familiariser avec les Instructions importantes de fixation des sangles à la page 25 avant de procéder à l'installation.

REMARQUE : S'assurer que la sangle est à plat et non vrillée et qu'elle est de niveau tout autour de l'arbre.

2. Tirer fermement sur la sangle tout en tenant le support de treestand Next Level en place. Enfin, pousser le dessus du support de treestand Next Level vers le pas pour le bloquer. **(VOIR FIGURE 11)**.
3. La plateforme étant repliée, accrocher le treestand au support Next Level en insérant l'écrou à épaulement (12) dans l'un des trois trous en poire, en fonction de l'inclinaison de l'arbre. Voir le mode d'emploi du support de treestand Next Level à la page 24.
4. La plateforme étant toujours repliée, appuyer sur le treestand pour s'assurer que l'écrou à épaulement est engagé jusqu'au fond du trou en poire. Cela permet aussi d'éliminer tout le mou éventuel de la sangle à came du support de treestand Next Level. **(VOIR FIGURE 12)**.

REMARQUE : Il est absolument essentiel que l'écrou à épaulement s'engage jusqu'au fond du trou en poire, sous peine de danger de mort!

FIGURE 10



FIGURE 11

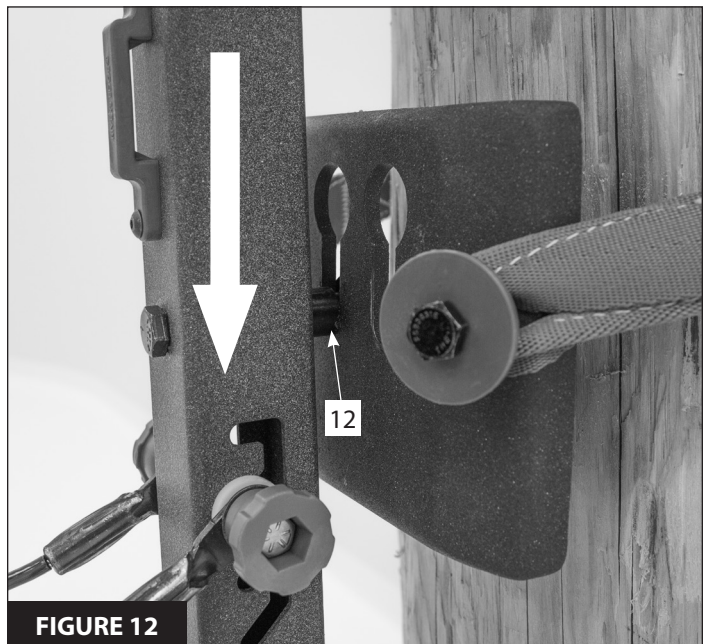
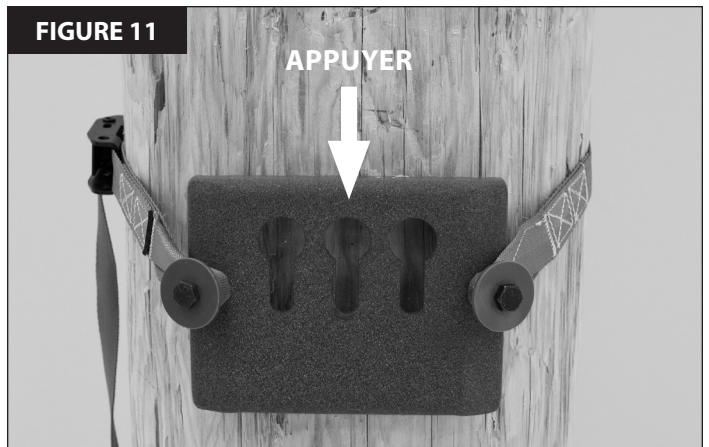


FIGURE 12

! AVERTISSEMENT

▲ **NE PAS** utiliser le treestand si l'écrou à épaulement n'est pas au fond du trou en poire ou qu'elle est dans toute autre position incorrecte, car le détachement soudain d'un treestand mal attaché peut provoquer des blessures graves ou mortelles!

INSTRUCTIONS DE FIXATION À L'ARBRE (SUITE)

5. Une fois l'écrou à épaulement bien calé au fond du trou en poire, basculer la plateforme vers le bas (**VOIR FIGURE 13**). Cela produit un effet de levier permet qui resserre fermement le treestand contre l'arbre pour éviter tout déplacement. Recommencer s'il y a lieu pour obtenir un ajustement serré du treestand sur l'arbre. Les deux points de contact de la plateforme doivent toucher l'arbre.

REMARQUE : Cet effet de levier écarte le support de treestand Next Level de l'arbre (ce qui est normal) et empêche tout déplacement du treestand.

6. A ce stade, suivre les instructions de réglage de l'inclinaison de la plateforme et du siège à la page 23 pour ajuster le treestand comme il se doit.
7. Passer le bout de la sangle à cliquet (30) à travers le guide de sangle (11) et autour de l'arbre. (**VOIR FIGURE 14**).

REMARQUE : Veiller à ne pas vriller la sangle en la passant à travers le guide de sangle.

8. Enfiler le bout de la sangle dans la fente centrale du mécanisme à cliquet et la ressortir à travers le levier d'actionnement. (**VOIR FIGURE 15A ET 15B**). Placer le cliquet sur le côté diamétralement opposé au treestand et tirer la sangle à travers le cliquet pour éliminer l'essentiel du mou. Vérifier que l'ensemble de la sangle est à plat et de niveau tout autour de l'arbre. La serrer alors sur l'arbre avec le « cliquet ». (**VOIR FIGURE 15C**).

*REMARQUE : Pour débloquer le cliquet, il suffit de tirer le levier de déblocage et d'ouvrir complètement (à plat) le levier d'actionnement. (**VOIR FIGURE 15D**).*



FIGURE 13

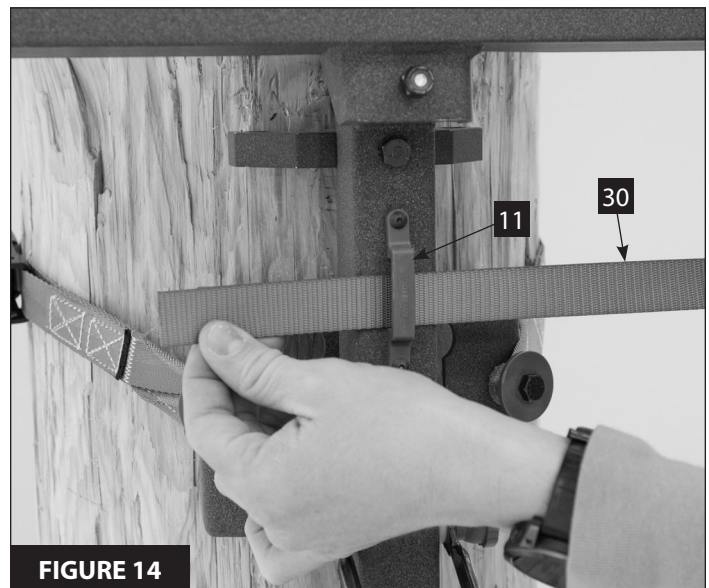


FIGURE 14

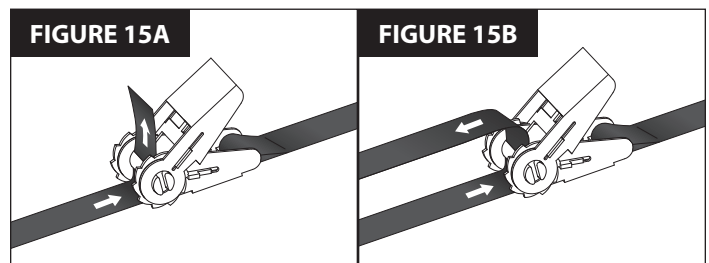


FIGURE 15A

FIGURE 15B

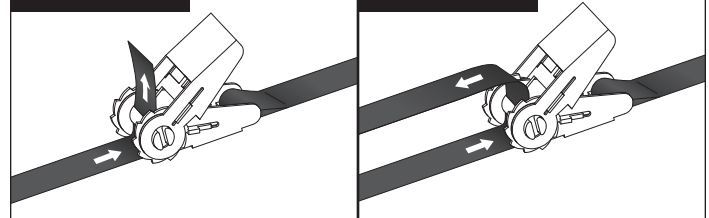
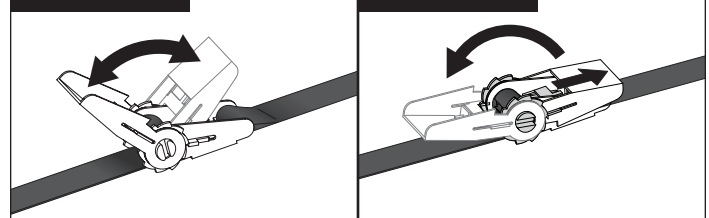


FIGURE 15C

FIGURE 15D



⚠ AVERTISSEMENT

- ⚠ **NE PAS** poser la sangle inférieure avec la plateforme repliée, cela pourrait endommager le treestand.
- ⚠ Ne jamais forcer sur la plateforme pour l'abaisser. Ajuster la position du treestand sur l'arbre ou la tension des sangles jusqu'à ce qu'elle puisse être abaissée aisément et en toute sécurité.
- ⚠ La plateforme doit être repliée pour retirer le treestand! Cela détend la sangle pour permettre l'enlèvement.

INSTRUCTIONS DE FIXATION À L'ARBRE (SUITE)

9. Une fois le treestand solidement attaché avec la sangle à cliquet, attacher la sangle à came inférieure pour renforcer la stabilité. Pour cela, laisser la plateforme en position horizontale et poser la sangle en respectant les Instructions importantes de fixation des sangles à la page 25. **(VOIR FIGURE 16). VOIR LES AVERTISSEMENTS!**
10. Avant de descendre et de se tenir sur le centre de la plateforme, s'assurer que le treestand est solidement attaché et serré contre l'arbre, avec les deux points de contact de la plateforme et la lame crantée supérieure en appui contre l'arbre.
11. Avec précaution, se mettre sur la plateforme pour vérifier qu'elle semble bien appuyée contre l'arbre et qu'elle est de niveau. Rabattre le siège vers le bas pour s'asseoir et le replier vers le haut pour se tenir debout.
12. Pour retirer le treestand de l'arbre, replier la plateforme vers le haut et détendre la sangle à came inférieure. Retirer la sangle de came inférieure, puis détendre la sangle à cliquet en tirant sur le levier de déblocage et en ouvrant complètement (à plat) le levier de serrage. Retirer la sangle à cliquet, puis soulever le treestand pour le dégager du support de treestand Next Level.
13. S'il est prévu de laisser le support de treestand Next Level sur l'arbre, veiller à éliminer tout le mou de la sangle à came afin que le support soit prêt pour l'utilisation suivante.



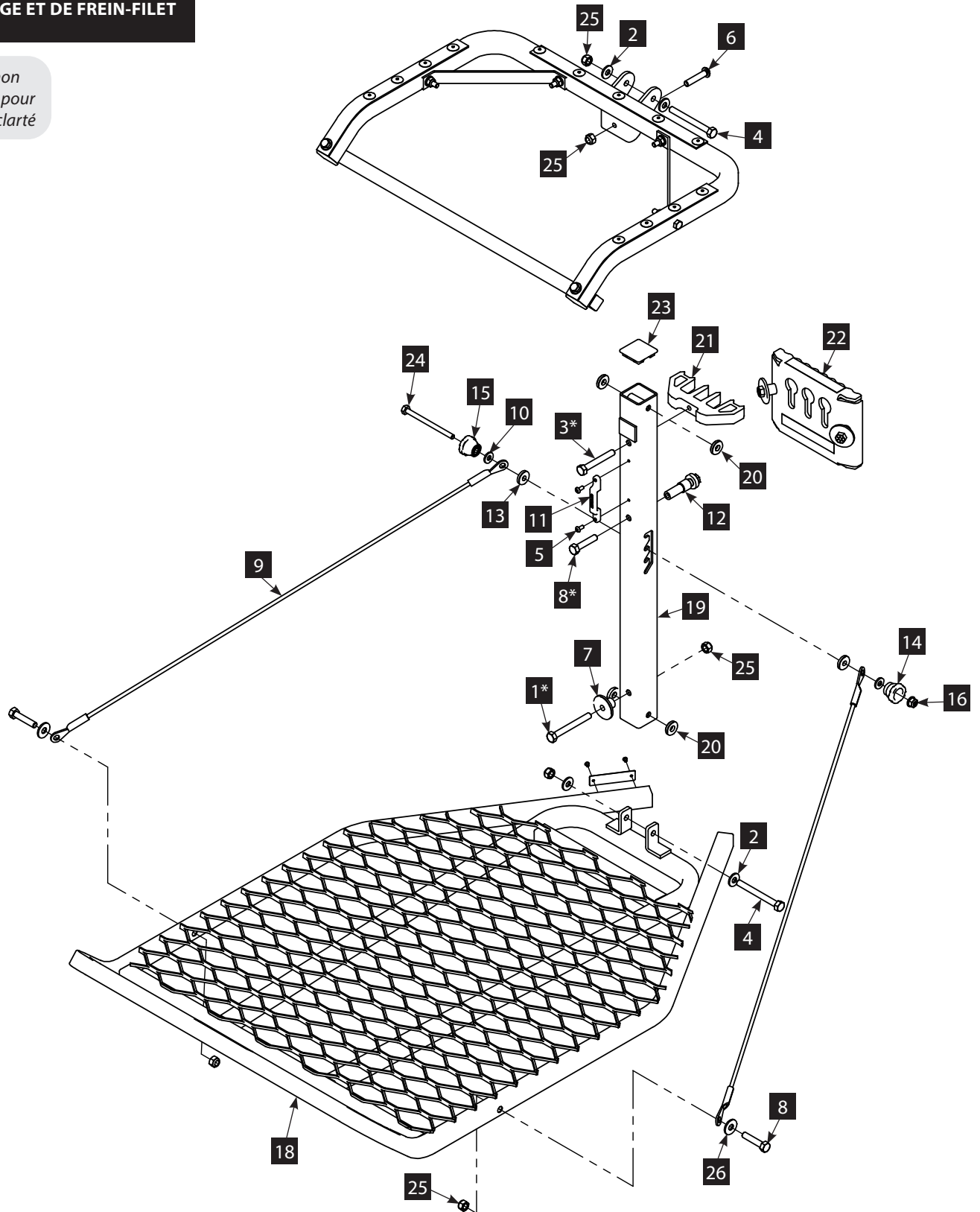
FIGURE 16

AVERTISSEMENT! NE PAS POSER LA SANGLE INFÉRIEURE AVEC LA PLATEFORME REPLIÉE, CELA POURRAIT ENDOMMAGER LE TREESTAND!



***VOIR LES SPÉCIFICATIONS DE SERRAGE ET DE FREIN-FILET**

toile non illustrée pour plus de clarté



REPÈRE	N° RÉF.	DESCRIPTION	QTÉ
1	17949	VIS 5/16-18 X 2-3/4 PO	1
2	23523	RONDELLE JAUNE 5/16 PO	4
3	27950	VIS 5/16 X 2-1/4 PO	1
4	29010B	VIS 5/16 X 3 PO	1
5	43641	VIS 8-32 X 3/8 PO	2
6	43654	VIS 5/16 X 1-1/2 PO	1
7	47153	BOUTON DE FIXATION DE SANGLE	1
8	48152	VIS 5/16 X 1-1/2 PO	3
9	48212	CÂBLE BRUN 71 CM (28 PO)	2
10	48261B	RONDELLE ACIER 1/4 PO	2
11	48293	GUIDE DE SANGLE	1
12	48294	ÉCROU À ÉPAULEMENT 5/16 X 1 PO	1
13	48309	BAGUE D'ESPACEMENT PLASTIQUE JAUNE 7 MM	2
14	48318	BOUTON PLASTIQUE, CÔTÉ ÉCROU	1
15	48319	BOUTON PLASTIQUE, CÔTÉ VIS	1
16	48752B	ÉCROU 1/4 PO	1
17	48970	SIÈGE	1
18	48994	PLATEFORME	1
19	48995	MONTANT DE SIÈGE	1
20	49070	BAGUE D'ESPACEMENT PLASTIQUE JAUNE 8,5 MM	4
21	49072	LAME CRANTÉE SUPÉRIEURE	1
22	49095	SUPPORT DE TREESTAND NEXT LEVEL	1
23	49099	BOUCHON 38 MM	1
24	49561	VIS 1/4 X 3-1/2 PO	1
25	60G5NYB	ÉCROU 5/16 PO	6
26	WF516B	RONDELLE ACIER 5/16 PO	2
ARTICLES CI-DESSOUS NON REPRÉSENTÉS			
27	15599	CEINTURE D'ESCALADE	1
28	43375	HARNAIS INTÉGRAL ANTICHUTE	1
29	48985	SANGLE À CAME 2,4 M (8 PI)	2
30	49188	SANGLE À CLIQUET 2,4 M (8 PI)	1

SPÉCIFICATIONS DE SERRAGE ET DE FREIN-FILET			
REPÈRE	N° RÉF.	COUPLE (Nm)	FREIN-FILET
1	17949	8	S.O.
3	27950	15	*APPLIQUER DU FREIN-FILET BLEU DE FORCE MOYENNE LORS DE L'ENTRETIEN OU DU REMONTAGE DE CES VIS
8	48152	15	*APPLIQUER DU FREIN-FILET BLEU DE FORCE MOYENNE LORS DE L'ENTRETIEN OU DU REMONTAGE DE CES VIS



NOUS SOMMES DES CHASSEURS

Rivers Edge® Treestands, Inc.

1730 Industrial Avenue, PO Box 755
Cumberland, WI 54829

Téléphone : 800-345-6007

www.HuntRiversEdge.com

*Tous les poids, spécifications et caractéristiques indiqués sont approximatifs et sujets à modification sans préavis. En raison des constantes améliorations de nos produits, les représentations du produit peuvent être inexactes. Les étiquettes de mise en garde sur certaines illustrations de produit peuvent avoir été enlevées pour les besoins de la photo. Les accessoires montrés sur les photos ne sont pas inclus. Un certain assemblage peut être requis.