



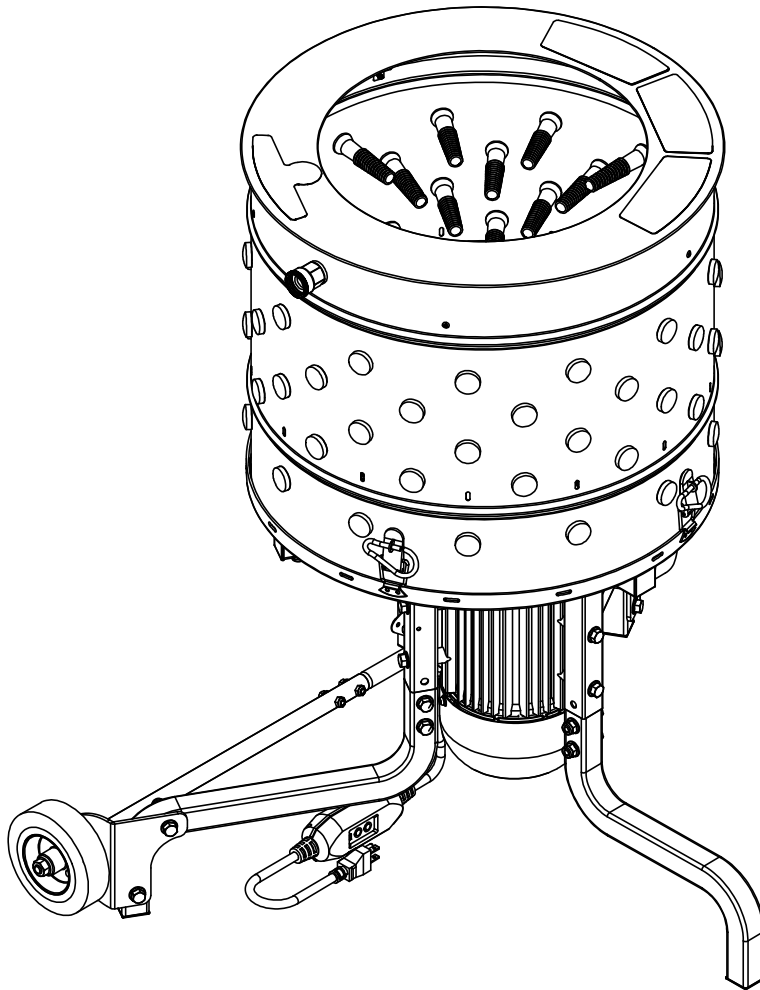
YARDBIRD®

Illustrated Parts Breakdown
Illustration des pièces détachées

**Model Number,
Numéros de modèle :**
21833

ENGLISH
FRANÇAIS

S/N



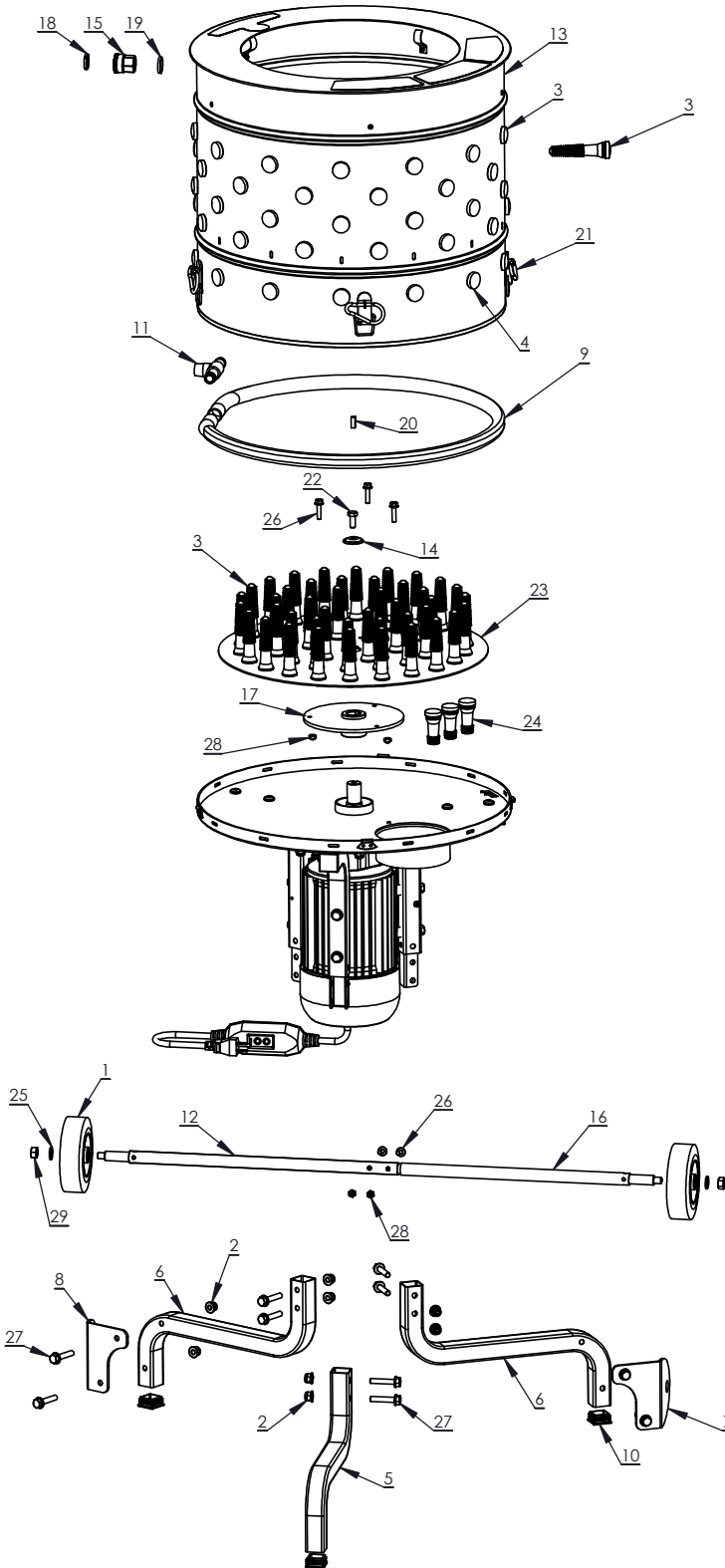
www.yardbirdpluckers.com - (800) 345-6007

© 2023 Ardisam, Inc.
All Rights Reserved
Tous droits réservés
P/N: 45248
SVC: 05658
ECN: 14273
REV 1: 2023-08-03



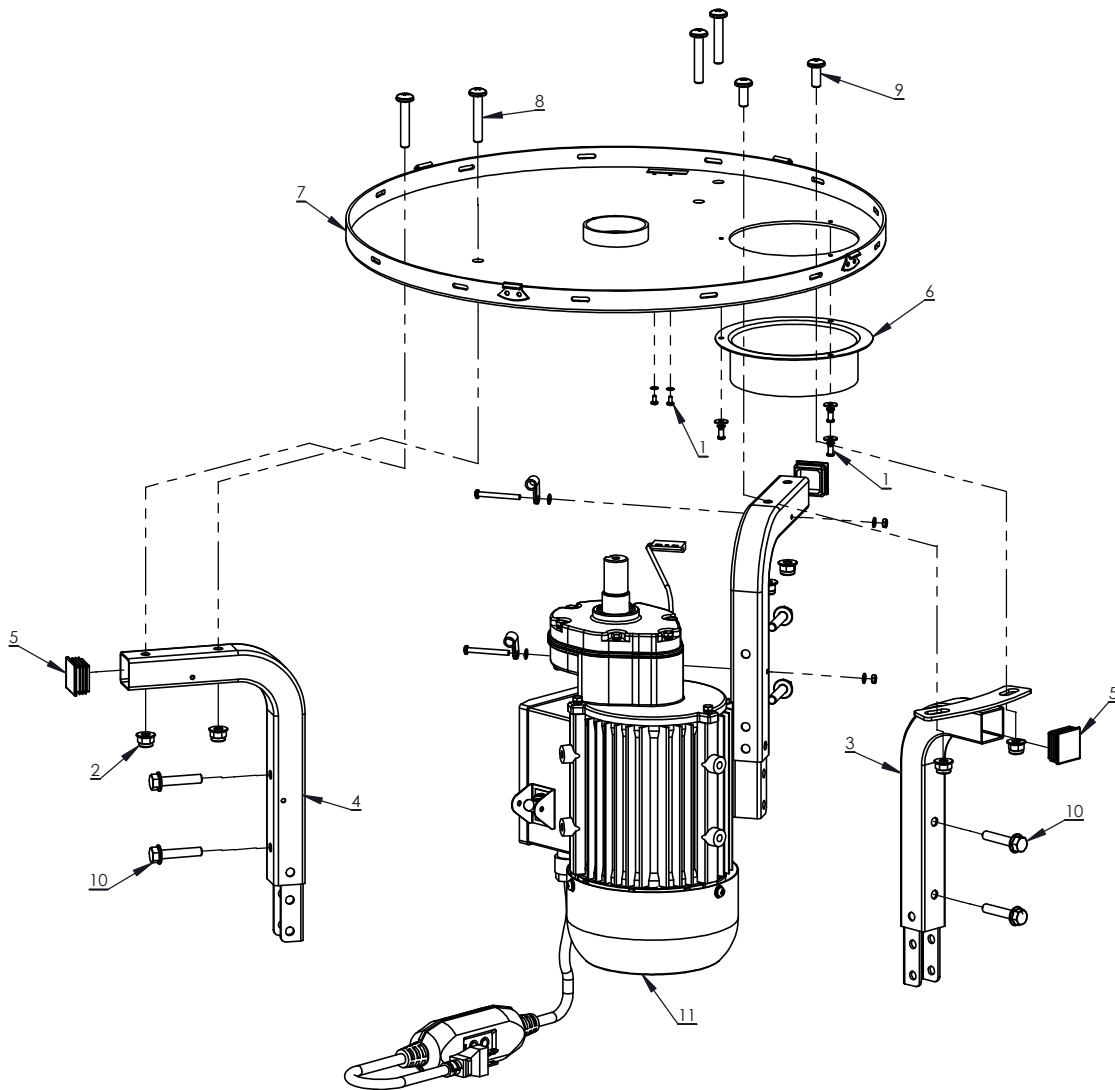
THIS INSTRUCTION BOOKLET CONTAINS IMPORTANT SAFETY INFORMATION. PLEASE READ AND KEEP FOR FUTURE REFERENCE.
CE LIVRET D'INSTRUCTIONS CONTIENT DES INFORMATIONS IMPORTANTES SUR LA SÉCURITÉ. VEUILLEZ LE LIRE ET LE CONSERVER POUR TOUTE CONSULTATION EXTÉRIEURE.

CHICKEN PLUCKER BREAKDOWN



REF./REP.	PART NO./° RÉF.	DESCRIPTION	QTY./QTÉ
1	11919	WHEEL	2
2	16400	NUT M8X1.25 MM	10
3	22577	98MM FINGER	95
4	22697	46MM FINGER	13
5	23107	SUPPORT LEG	1
6	23108	AXLE LEG	2
7	23110	SUPPORT BRACKET LEFT SIDE	1
8	23111	SUPPORT BRACKET RIGHT SIDE	1
9	23632	HOSE	1
10	23636	SQUARE PLUG	3
11	23649	FITTING TEE	1
12	23795	AXLE FEMALE END	1
13	23837	DRUM WITH FINGERS	1
14	23840	DOMED WASHER	1
15	23844	BRASS FITTING	1
16	23864	AXLE MALE END	1
17	23868	FEATHER PLATE HUB	1
18	23924	16MM RUBBER WASHER	1
19	23925	21MM RUBBER WASHER	1
20	24016	SQUARE KEY	1
21	24017	CARABINER	4
22	24545	BOLT M8X20 MM LEFT HAND	1
23	24675	FEATHER PLATE WITH FINGERS	1
24	25897	56MM FINGER	3
25	28196	WASHER M10X28 MM	2
26	35196	BOLT M6X30 MM	5
27	37705	BOLT M8X40 MM	10
28	4650	NUT M6	5
29	W1265V0903	NUT M10	2

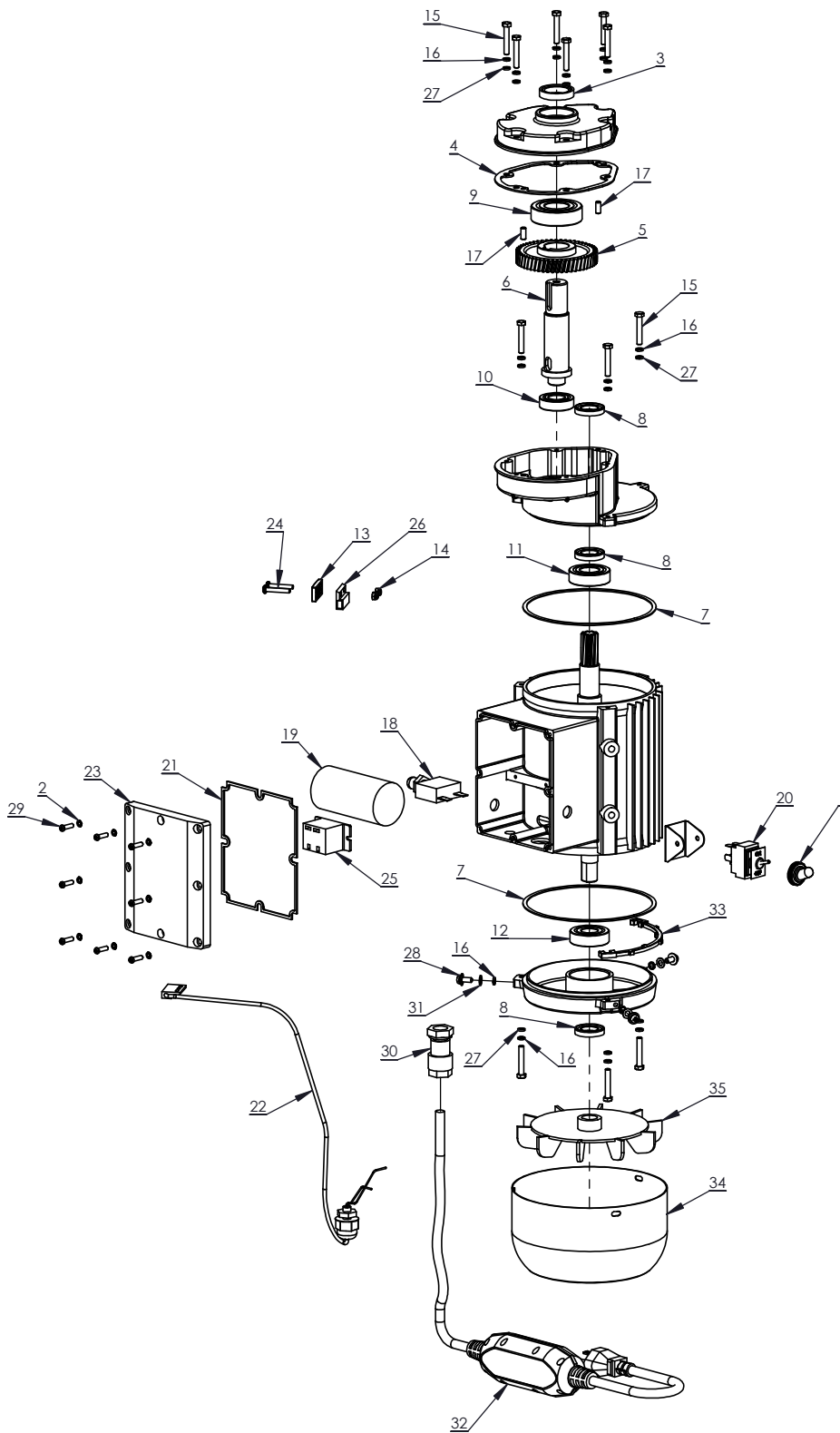
CHICKEN PLUCKER MOTOR PLATE BREAKDOWN



REF./REP.	PART NO./° RÉF.	DESCRIPTION	QTY./QTÉ
1	12419	BOLT M4X8 MM	3
2	16400	NUT M8	6
3	23089	SUPPORT LEG TOP	1
4	23104	AXLE LEG TOP	2
5	23636	SQUARE PLUG	3
6	23637	FEATHER CHUTE	1

REF./REP.	PART NO./° RÉF.	DESCRIPTION	QTY./QTÉ
7	23638	FEATHER PAN	1
8	24032	BOLT M8X45 MM	4
9	24033	BOLT M8X20 MM	2
10	37705	BOLT M8X40 MM	6
11	45115	MOTOR 1.5 HP INLINE GFCI	1

CHICKEN PLUCKER MOTOR BREAKDOWN



CHICKEN PLUCKER MOTOR BREAKDOWN

REF./ REP.	PART NO. /° RÉF.	DESCRIPTION	QTY. /QTÉ
1	10929	SWITCH COVER	1
2	22024	WASHER M4	8
3	23115	OIL SEAL 35MM	1
4	23117	UPPER COVER GASKET	1
5	23118	53T STEEL GEAR	1
6	23119	OUTPUT SHAFT	1
7	23121	RUBBER GASKET 136MM	2
8	23122	OIL SEAL 30MM	3
9	23128	BEARING BALL 25X52X15 MM	1
10	23129	BEARING BALL 17X35X10 MM	1
11	23130	BEARING BALL 20X42X12 MM	1
12	23131	BEARING BALL 17X40X12 MM	1
13	23846	MAGNET	1
14	23866	NUT M4	2
15	24004	BOLT M5X30 MM	12
16	24005	WASHER M5	15
17	24006	PIN M5X12 MM	2
18	24008	RESET SWITCH	1
19	24009	CAPACITOR MOTOR	1
20	24010	SWITCH	1
21	24012	TERMINAL BOX GASKET	1
22	24014	REED SWITCH KIT	1
23	24015	TERMINAL BOX COVER	1
24	24034	BOLT M4X25	2
25	24076	RELAY 30AMPS	1
26	24082	SPACER	1
27	28164	WASHER M5X7.4 MM	12
28	3250	BOLT M5X12 MM	3
29	32855	BOLT M4X14 MM	8
30	32962	STRAIN RELIEF CONDUIT	1
31	3308	WASHER M5X10 MM	3
32	45106	GFCI PLUG	1
33	45131	FEATHER GUARD	1
34	W1200202	MOTOR FAN SHROUD	1
35	W1200236	MOTOR FAN	1



YARDBIRD®

1730 Industrial Avenue
PO Box 666
Cumberland, WI 54829

Phone, Téléphone: (800) 345-6007
Fax, Télécopieur: (715) 822-2124
www.yardbirdpluckers.com