

Operator's Manual

# LITE RAIL™ Climbing System

MODEL NT201/NT202

**MAXIMUM FIELD RATING**

350 LB.

**TREE DIAMETER RANGE**

8" TO 20"

**WEAR YOUR  
HARNESS!**



**ATTENTION**

**YOU MUST READ ALL WRITTEN INSTRUCTIONS  
AND WATCH THIS SAFETY VIDEO BEFORE USING!**



**WATCH THIS SAFETY VIDEO BEFORE USING!**

Scan →



or Visit →

[www.standsafety.com/r8](http://www.standsafety.com/r8)

Scan the QR code with your smart phone, tablet or similar device.

**OR**

Type the website address into your web browser to view an important safety video before using this product.

**CLIMBING AID SAFETY**

PRODUCT MEETS  
INDUSTRY STANDARDS  
RECOGNIZED BY



PARTICIPATING MEMBER

**NESTED**  
TREESTAND SYSTEMS®

© 2024 Ardisam, Inc. | All Rights Reserved

P/N: 45456

C/N: 46196, 46197

REV2: 03/19/24

# INTRODUCTION

If for any reason you have a problem with your product, please contact our customer service department at (800) 345-6007 for assistance.

# CONTENTS

Introduction/Warranty .....	2
Warnings .....	3
Inspection and Maintenance.....	4
Set-Up and Use Instructions.....	5-7
Illustrated Parts Breakdown/Parts List.....	8

## 2-YEAR—NO QUESTIONS ASKED—WARRANTY

This warranty applies to the original owner that provides a proof of purchase of the registered unit and is not transferable. The warranty period begins on the date of purchase by the first retail consumer or commercial end user. For the warranty to be valid, the product must be registered online at [www.ardisam.com](http://www.ardisam.com), within 30 days of purchase.

## LIMITED LIFETIME WARRANTY

After the expiration of the 2-Year—No Questions Asked—Warranty, a Limited Lifetime warranty on manufactures defects will be applied. This Limited Lifetime warranty applies only to products which have not been subjected to negligent use, misuse, uses other than those indicated in the product’s owner’s manual, alteration, accident, use of unauthorized parts, failure to perform periodic maintenance as specified in product’s owner’s manual, or normal wear and tear. Wear parts are not covered under the Limited Lifetime Warranty. All other implied warranties are excluded. Liability for incidental or consequential damages are excluded to the extent exclusion is permitted by law. Ardisam, Inc. does not assume and does not authorize any other person to assume for us, any liability in connection with the sale of our products. Ardisam, Inc. retains the right to change models, specifications, and price without notice. Ardisam, Inc. shall not be obligated to ship any replacement product to any location outside of the United States of America or Canada. For more warranty information contact Ardisam, Inc. at 800-345-6007.

## SAFETY GUIDELINES

This equipment has been manufactured under strict quality and safety guidelines. As with any equipment of this type, full understanding of the instructions and its use is mandatory and imperative for the safety of its user. Ardisam is not responsible for any damages or injuries sustained due to improper use or modification of any of its products, or resulting from any use which deviates from the product’s intended usage. Ardisam is not responsible for any injuries sustained due to failure to read and adhere to the instructions for use. Any misunderstanding or questions regarding the products of their use should be directed to Ardisam prior to any use. **All Ardisam treestands are sold with a full body harness (“Fall Arrest System”) that meets standards set by the Treestand Manufacturer’s Association (“TMA”).** It is the owner’s sole responsibility to inspect the product regularly for damage, improper installation, or conditions that could jeopardize the ultimate safety of the product. Failure to use or improper use of the provided Fall Arrest System may result in serious injury or death. **ALWAYS wear the provided Fall Arrest System while using this product. Owner is responsible to understand and follow product field weight rating and must never exceed maximum weight rating.** Ardisam is not responsible for any malfunction or injury resulting from normal wear and tear, damage caused by improper use, improper maintenance, negligence or accidents. This product, if used safely as intended, will provide trouble free service for the useful life of the product. We hope you will enjoy the quality of our products for years to come, and have a safe hunt.

**STOP**

**READ AND UNDERSTAND THE FOLLOWING WARNINGS BEFORE ASSEMBLY**

## MODEL NT201/NT202

**TOTAL WEIGHT LIMIT - 350 LB**  
**TREE DIAMETER RANGE - 8" TO 20"**

### **WARNING**

- ▲ This product carries strict weight restrictions. **DO NOT** use this product if you exceed the total weight limit. Please note that the total weight limit includes the user(s) and their equipment.

### **WARNING**

- ▲ **WHEN HUNTING FROM, INSTALLING, OR REMOVING A TREESTAND FALLS CAN OCCUR ANY TIME AFTER LEAVING THE GROUND CAUSING INJURY OR DEATH.**
- ▲ When using, installing, or removing a treestand, **ALWAYS** wear a Fall Arrest System (FAS) comprising a full body harness at all times after leaving the ground. You must stay connected at all times after leaving the ground while using climbing treestands, and while using, installing, or removing hang-on treestands. Single safety belts and chest harnesses are no longer allowed and shall never be used. When using, installing, or removing a treestand, if you are not wearing a full body harness properly attached to the tree that is protecting you from a fall, do not leave the ground.
- ▲ **READ AND UNDERSTAND** all of the manufacturer's Warnings and Instructions and use all safety devices provided by the manufacturer. Contact the manufacturer for any questions. Failure to do so could result in injury or death.
- ▲ **NEVER** exceed the total weight limit of the treestand or climbing aid.
- ▲ **NEVER** use, install, or remove a treestand or climbing aid during inclement weather such as rain, lightning, windstorms or icy conditions and end your hunt and return to the ground if inclement conditions arise.
- ▲ **NEVER** use, install, or remove a treestand or climbing aid while using drugs (even prescription drugs) or alcohol.
- ▲ **NEVER** use, install, or remove a treestand or climbing aid while feeling ill, nauseous or dizzy, or if you have a prior medical condition that could cause a problem, that is, heart condition, joints that lock-up, spinal fusions, etc., or if you are not well rested.
- ▲ **NEVER** use a treestand or climbing aid on a dead, leaning, diseased or loose barked tree, or a utility pole.
- ▲ **NEVER** rely on a tree branch for support.
- ▲ **NEVER** jump or bounce on a treestand or climbing aid to seat it to the tree.

### **WARNING**

- ▲ Pull up a bow, backpack, or firearm or other equipment only after being secure in the treestand and a firearm must be pulled up with it unloaded, chamber open, and muzzle down.
- ▲ **ALWAYS** inform someone of the hunting location, where the treestand will be located and the expected duration of the hunt.
- ▲ A signal device such as a mobile phone, radio, whistle, signal flare or personal locator device (PLD) must be on your person and readily available at all times.
- ▲ **NEVER** leave a treestand in a tree for more than two weeks since weather or animals could cause damage. Tree growth can also stress and damage straps and buckles.
- ▲ Inspect the treestand/climbing aid and all safety devices each time before use and **DO NOT** store a treestand or climbing aid outdoors when not in use.
- ▲ **NEVER** modify your treestand or climbing aid in any way by making repairs, replacing parts, or altering it except if explicitly authorized in writing by the manufacturer.
- ▲ Practice installing, adjusting, removing, and using your treestand or climbing aid at ground level prior to using it at elevated positions. Study your new stand to become familiar with all of its features and design. Doing so will confirm that the product is manufactured, assembled and installed correctly. Failure to install and test at ground level first puts users at risk for serious injury or death.
- ▲ Instructions (written and video) shall be kept in a safe place and reviewed at least annually. It is the responsibility of the treestand or climbing aid owner to furnish the complete instructions to any person who borrows or purchases the treestand or climbing aid.
- ▲ Practice the attachment of hang-on treestands or climbing aids at ground level before using in a hunting environment. Doing so will confirm that the product is manufactured, assembled and installed correctly. Failure to install and test at ground level first puts users at risk for serious injury or death.
- ▲ A full body harness with a lineman's/climbing belt must be worn at all times while installing or removing any hang-on climbing aids.
- ▲ Hang-on climbing aids must be placed on the tree at a height above the platform where the user can maintain a handhold on the unit and step downwards onto the treestand. **NEVER** step up from a climbing device to get into your stand. To ensure that you step down onto the platform, the maximum recommended use height is five feet less than the height of the climbing aid being used.

## WARNING

- ▲ When using a climbing/lineman's belt to ascend the tree, the full body harness shall be attached to the tree before stepping down onto the treestand.
- ▲ Sectional ladders and steps shall be spaced on the tree to insure each step is no more than 18 in. (45.72 cm) apart.
- ▲ Check every stick ladder section connection every time you use the stick ladder before you leave the ground. If stick ladder sections are separating, **DO NOT** use the stick ladder.
- ▲ Read and perform all inspection and maintenance tasks before each and every use. Replace any questionable components immediately with Nested original replacement parts.
- ▲ **DO NOT** use this product until you have watched the online safety video, understand it, and practiced the techniques for safe hunting discussed in this video. Video can be found with the QR code and/or URL shown on front cover of this manual.
- ▲ **ALWAYS** maintain three (3) points of contact when Ascending or descending a ladder or climbing aid. Proper three-point contact means having either two feet with one hand or one foot with two hands on the step portion of the ladder or climbing aid at all times.
- ▲ **ALWAYS** wear the appropriate footwear when using a treestand or climbing aid. A good non-slip safety boot is important to your personal safety. Be especially careful that boot laces do not get hooked on the stand, climbing aid or any of their components (tuck shoelaces into boots before climbing).
- ▲ **ALWAYS** lean forward as you ascend or descend ladder or climbing aid. **NEVER** lean out over edge of device.
- ▲ Double check assembly steps to be certain you have correctly assembled this product.
- ▲ Replace any and all treestand or climbing aid straps every two years or when any signs of damage or wear exist before.
- ▲ **NEVER** hold onto any section or pull on any section that is not securely attached to the tree with the provided strap and buckle.
- ▲ **ALWAYS** attach the cam strap assembly so the spring loaded cam lever of the strap is facing away from the tree.
- ▲ **NEVER** touch the cam lever while putting weight on the stick and/or climbing the stick as this could potentially release the strap and remove that section from the tree.
- ▲ **DO NOT** crush tubing when tightening bolt assemblies! Identify and familiarize yourself with all parts before you start.
- ▲ **NEVER** use any product that has not been maintained or inspected properly - Your life depends on it!

## INSPECTION AND MAINTENANCE

### BEFORE EACH USE PERFORM THE FOLLOWING:

- Inspect all webbing, rope, cord, and strap assemblies for wear or damage.
- Inspect cables and/or cable ends for damage or kinking.
- Inspect all hardware and chain components for damage or wear.
- Inspect for any structural damage to product. (If any exists stop use immediately and call our Customer Service.)
- Inspect all nut and bolt assemblies to be certain none are loose.
- Inspect for any missing parts.
- Lubricate all pivot and slide together points with powder graphite, petroleum jelly or silicone spray to prevent noise, wear and rust.
- Inspect entire product for any rust, corrosion, cracks, freezing, excessive heat or rotting damage that may effect the safety of your product. Discard any questionable product.
- Inspect entire product for any structural damage - pay close attention to all weld locations. (Discard product if any damage is found.)
- Using correct wrenches inspect all nut & bolt assembly locations and snug up any that may be loose. Be careful not to crush tubing when tightening!
- Inspect and check operation of all cables, cable ends, cord, rope, webbing, and strap or chain assemblies. Replace with Nested original replacement parts any item or assembly that shows signs of wear, damage, kinking, or functions incorrectly.
- Inspect seat for damage or wear. Replace any seat with factory new that shows signs of structural damage or wear.
- Never modify your stand in any way by making repairs, replacing parts, or altering by adding or attaching anything to it except if explicitly authorized in writing by the manufacturer.

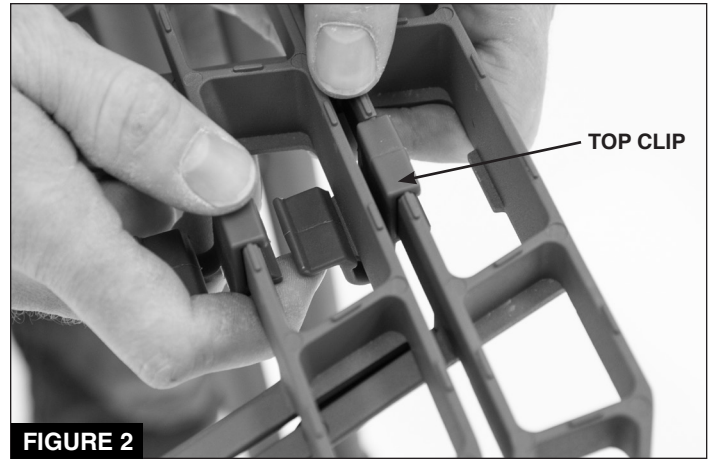
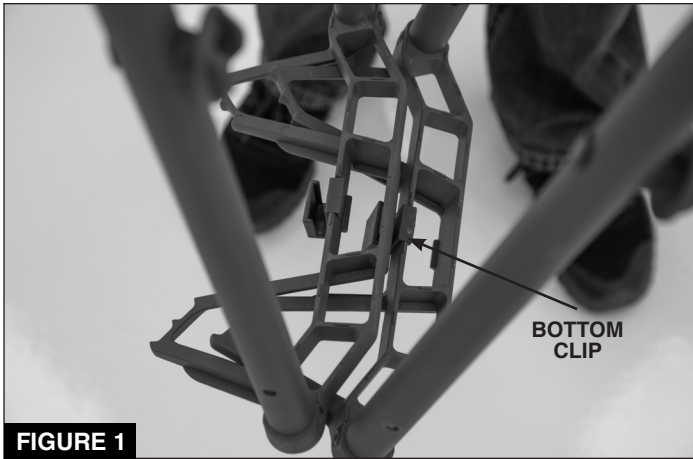
## WARNING

- ▲ **DO NOT** remove labels/warnings from product, they are there for your safety.
- ▲ All users are responsible for ensuring strap is attached to treestand properly and securely. Failure to do so may result in serious injury or death. Read and understand all instructions for proper installation procedure and product warnings before use. Recommended for adult use only.
- ▲ Only use approved Nested parts. Failure to do so may result in serious injury or death!

## NESTING INSTRUCTIONS

The Nested® Lite Rails™ are designed to stack and attach to each other for easy and quiet transport.

1. With no cam strap attached, hold a rail in each hand and insert the front of one bottom step into the bottom clip on the rail in front of it (**SEE FIGURE 1**).
2. Pivot the rails together at the top and secure together by clipping the front of the top step into the top clip of the rail in front of it (**SEE FIGURE 2**).
3. Repeat with as many rails as you intend to use. (**SEE FIGURE 3**).
4. When ready to use your Lite Rails™, simply unclip them one at a time by pushing down on the thumb lever of the top clip and lift out of the bottom clip.



## CRITICAL STRAP ATTACHMENT INSTRUCTIONS

At ground level, prior to attaching to tree and leaving the ground, it is critical you familiarize yourself with the Nested® Lite Rail™ and how the strap attaches to the rail. Improper strap attachment to the rail and/or improper rail attachment to the tree may lead to serious injury or death due to sudden release of an incorrectly attached strap/rail!

1. The Nested® cam strap can be attached so that the sewn loop side with the cam buckle is on either side of the climbing rail depending on your left or right hand installation preference. Attach the sewn loop of the long side of the strap to either the left or right strap mount by sliding sewn loop completely over the mount with the strap on the outside of the rail (SEE FIGURE 4). The sewn loop of the cam buckle side of the strap secures to the opposite strap mount in the same way as described in step 1 by sliding sewn loop completely over the mount with the strap on the outside of the rail (SEE FIGURE 5).
2. It is critical that you secure the sewn loops of cam strap to the strap mounts properly and securely, your life depends on it! (SEE FIGURE 6C) **DO NOT** attach the sewn loops of the strap as shown in FIGURES 6A-6B or any other incorrect fashion or you may be seriously injured or killed due to sudden release of an incorrectly attached strap/rail to the tree!



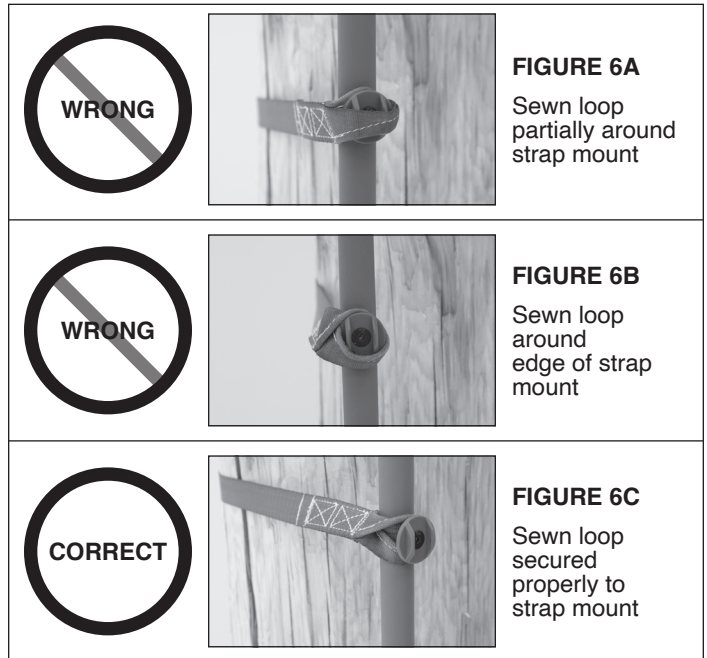
FIGURE 4



FIGURE 5

### ⚠ WARNING

- ▲ **NEVER** use a treestand on a dead, leaning, diseased or loose barked tree, or a utility pole. **ALWAYS** avoid electrical power lines.
- ▲ It is critical to familiarize yourself with how the strap attaches to the climbing aid. Practice attaching the climbing aid to the tree several times at ground level before ascending up the tree.
- ▲ **ALL** users are responsible for ensuring strap is attached to climbing aid properly and securely. Failure to do so may result in serious injury or death. Read and understand all instructions for proper installation procedure and product warnings before use.



## TREE ATTACHMENT INSTRUCTIONS

1. Standing on the ground with one Nested® Lite Rail™ against tree, attach the sewn loop of the long side of the strap to either the left or right side strap mount by sliding sewn loop completely over the mount with the strap on the outside of the rail (SEE FIGURE 7).
2. Wrap entire cam strap assembly around the tree and repeat step 1 by sliding sewn loop of cam buckle side completely over the opposite strap mount with the strap on the outside of the rail. Be sure the strap is even and at the same level all the way around the tree. Also, be sure there are no twists in the strap (SEE FIGURE 8).
3. Pull on excess end of strap firmly to tighten the cam strap (SEE FIGURE 9). SEE **CRITICAL STRAP ATTACHMENT INSTRUCTIONS**. Be certain all four contact points of tree blades, two on each step, are contacting tree.
4. Take the rail and pull down on it so it feels stable and is “seated” into position before stepping on it. Check again to be certain all four contact points of tree blades are contacting tree. Redo as necessary to accomplish this (SEE FIGURE 10).
5. While properly wearing/using a Full Body Harness with a lineman’s/climbing belt, climb the rail only far enough to attach the second section to the tree. Repeat steps 1, 2, 3 and 4 for proper attachment of all remaining rails.
6. Reverse the tree attachment instructions to remove the rails from the tree.



FIGURE 7



FIGURE 8



FIGURE 9



FIGURE 10

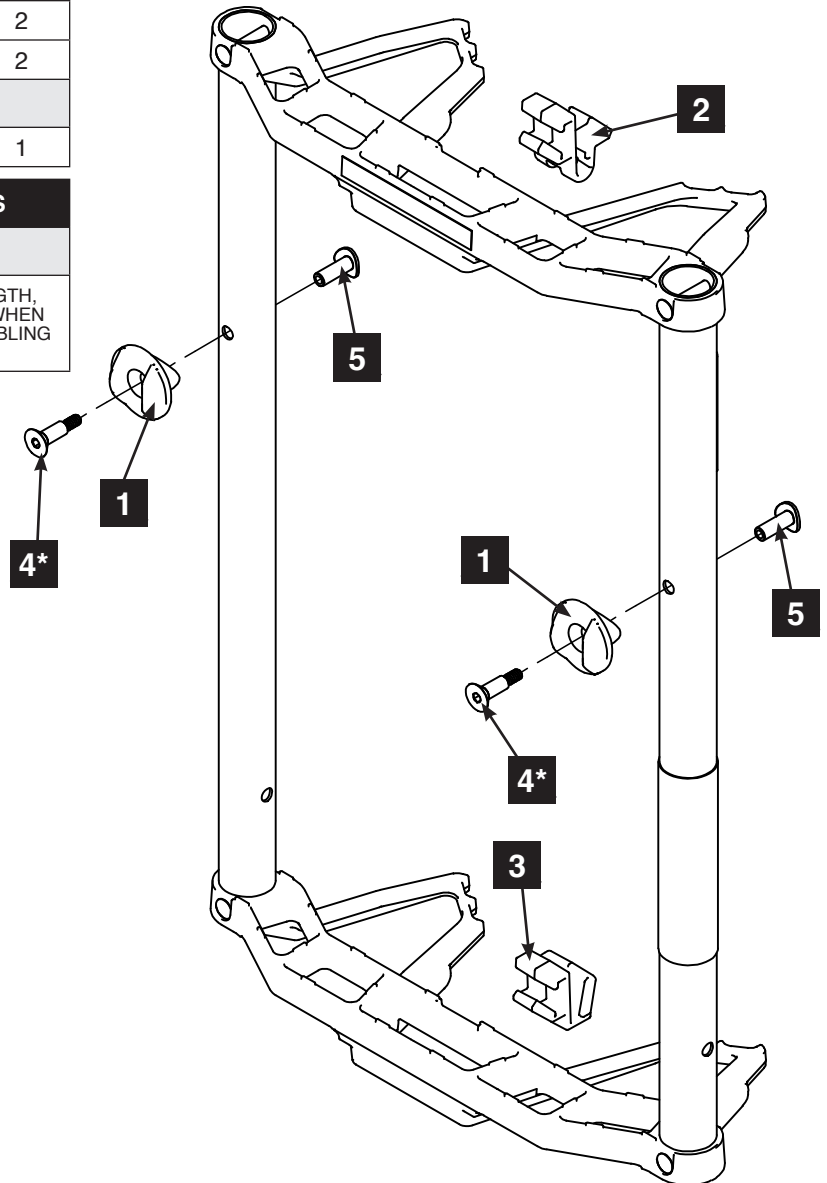
# ILLUSTRATED PARTS BREAKDOWN & PARTS LIST

**NESTED**  
TREESTAND SYSTEMS®

ITEM #	PART #	DESCRIPTION	QTY.
1	45326	PLASTIC STRAP MOUNT	2
2	45327	PLASTIC TOP RAIL CLIP	1
3	45328	PLASTIC BOTTOM RAIL CLIP	1
4	45422	SCREW 10-24 X 1/2 IN	2
5	45423	BARREL NUT 10-24 X 3/4 IN	2
<b>ITEMS BELOW NOT SHOWN</b>			
--	44572	CAM STRAP 1 IN X 8FT	1

**\*SEE TORQUE AND  
THREAD LOCKER  
SPECIFICATION TABLE**

<b>TORQUE AND THREAD LOCKER SPECIFICATIONS</b>			
ITEM #	PART #	TORQUE (Nm)	THREAD LOCKER
4	45422	4	*APPLY MEDIUM STRENGTH, BLUE THREAD LOCKER WHEN SERVICING OR REASSEMBLING THESE BOLTS



# NESTED

## TREESTAND SYSTEMS®

**RIVERS EDGE® TREESTANDS, A DIVISION OF ARDISAM, INC.**

1730 Industrial Avenue, PO Box 666, Cumberland, WI 54829

Phone: 800-345-6007 | Fax: 715-822-2124

All weights, specifications and features are approximate and are subject to change without notice. Due to continuous product improvement, product images may not be exact. Warning labels in some product images may have been removed for photography or demonstration purposes only. Props shown in photos not included. Some assembly may be required. Refer to product manual/instructions for safe setup and use.