

Operator's Manual

Nested® AIDER ROPE

MODEL NT402

MAXIMUM FIELD RATING

350 LB.

TREE DIAMETER RANGE

8" TO 20"

**WEAR YOUR
HARNES!**

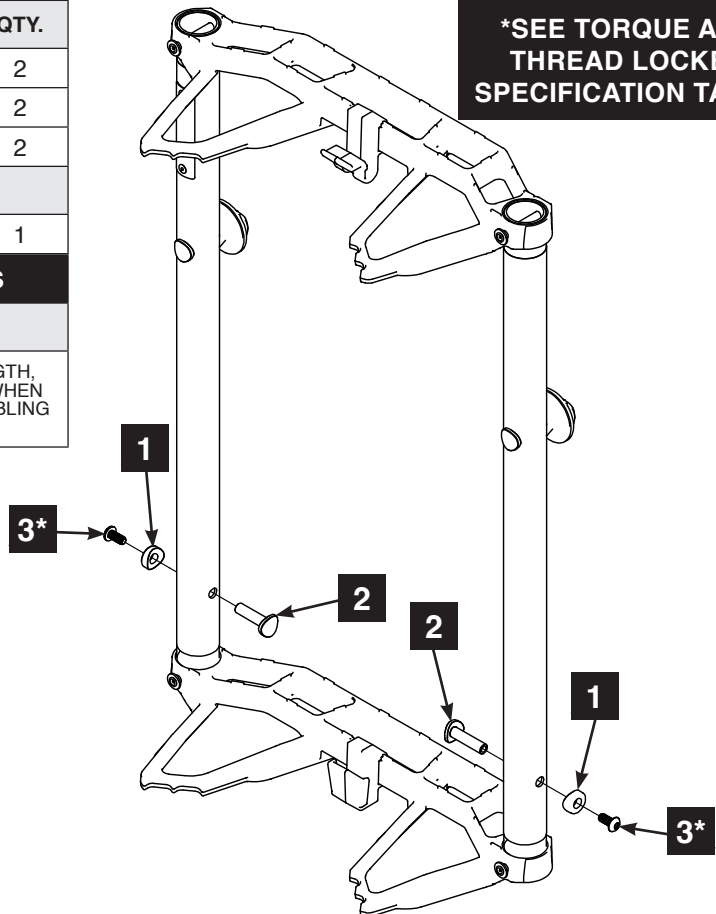


Thank you for your purchase. If for any reason you have a problem with your product please contact our customer service department at (800) 345-6007 for assistance. For warranty registration and service part information please visit www.ardisam.com

ILLUSTRATED PARTS BREAKDOWN & PARTS LIST

ITEM #	PART #	DESCRIPTION	QTY.
1	45521	PLASTIC WASHER CURVED	2
2	45567	BARREL NUT 10-24 X 1 IN	2
3	45568	BOLT 10-24 X 7/16 IN	2
ITEMS BELOW NOT SHOWN			
--	46740	ROPE AIDER 3/6 X 18 IN	1
TORQUE AND THREAD LOCKER SPECIFICATIONS			
ITEM #	PART #	TORQUE (Nm)	THREAD LOCKER
3	45568	3	*APPLY MEDIUM STRENGTH, BLUE THREAD LOCKER WHEN SERVICING OR REASSEMBLING THESE BOLTS

***SEE TORQUE AND
THREAD LOCKER
SPECIFICATION TABLE**



PRODUCT MEETS
INDUSTRY STANDARDS
RECOGNIZED BY



PARTICIPATING MEMBER

NESTED TREESTAND SYSTEMS®

RIVERS EDGE® TREESTANDS, A DIVISION OF ARDISAM, INC.
1730 Industrial Avenue, PO Box 666,
Cumberland, WI 54829

Phone: 800-345-6007 | Fax: 715-822-2124
© 2024 Ardisam, Inc. | All Rights Reserved

P/N: 46977 | C/N: 46799 | REV1: 06/13/24

All weights, specifications and features are approximate and are subject to change without notice. Due to continuous product improvement, product images may not be exact. Warning labels in some product images may have been removed for photography or demonstration purposes only. Props shown in photos not included. Some assembly may be required. Refer to product manual/instructions for safe setup and use.

 STOP

READ AND UNDERSTAND THE FOLLOWING WARNINGS BEFORE ASSEMBLY

WARRANTY

WARRANTY

Ardisam, Inc. offers a one-year warranty for all components of the treestand. These warranties apply to the original owner with a proof of purchase. These warranties begin on the date of purchase by the first retail consumer and continue for the period specified above. These warranties apply to products that are not modified, abused or used in a manner that deviates from the product's intended usage. Minor fading in color is normal and is not covered by warranty. Any corrosion of painted surfaces that occurs as a result of paint being removed or damaged is also not covered by warranty. Ardisam, Inc. offers no other warranty expressed or implied. Products for which warranty work has been approved must be sent directly to Ardisam, Inc. and performed by Ardisam, Inc.. To obtain warranty service and/or replacement instructions, you must obtain prior approval from Ardisam, Inc. before shipping your package to us by calling our customer service department at 800-345-6007 or by writing to: Ardisam, Inc., P.O. Box 755, 1730 Industrial Avenue, Cumberland, WI 54829 for a return material authorization number (RMA#). All items must be shipped prepaid. Ardisam, Inc. will, at no charge, repair or replace, in Ardisam's sole discretion, any product that satisfies the conditions stated above. Ardisam, Inc. retains the right to change models, specifications and price without notice.

This equipment has been manufactured under strict quality and safety guidelines. As with any equipment of this type, full understanding of the instructions and its use is mandatory and imperative for the safety of its user. Ardisam, Inc. is not responsible for any damages or injuries sustained due to improper use or modification of any of its products, or resulting from any use which deviates from the product's intended usage. Ardisam, Inc. is not responsible for any injuries sustained due to failure to read and adhere to the instructions for use. Any misunderstanding or questions regarding the products of their use should be directed to Ardisam, Inc. prior to any use. It is the owner's sole responsibility to inspect the product regularly for damage, improper installation, or conditions that could jeopardize the ultimate safety of the product. Failure to use or improper use of a Fall Arrest System may result in serious injury or death. ALWAYS wear a Fall Arrest System while using this product. Owner is responsible to understand and follow product field weight rating and must never exceed maximum weight rating. Ardisam, Inc. is not responsible for any malfunction or injury resulting from normal wear and tear, damage caused by improper use, improper maintenance, negligence or accidents. This product, if used safely as intended, will provide trouble free service for the useful life of the product. We hope you will enjoy the quality of our products for years to come, and have a safe hunt.

MODEL NT402

TOTAL WEIGHT LIMIT - 350 LB

WARNING

- ▲ This product carries strict weight restrictions. **DO NOT** use this product if you exceed the total weight limit. Please note that the total weight limit includes the user(s) and their equipment.

WARNING

- ▲ **WHEN HUNTING FROM, INSTALLING, OR REMOVING A TREESTAND FALLS CAN OCCUR ANY TIME AFTER LEAVING THE GROUND CAUSING INJURY OR DEATH.**
- ▲ When using, installing, or removing a treestand, **ALWAYS** wear a Fall Arrest System (FAS) comprising a full body harness at all times after leaving the ground. You must stay connected at all times after leaving the ground while using, installing, or removing hang-on treestands. Single safety belts and chest harnesses are no longer allowed and shall never be used. When using, installing, or removing a treestand, if you are not wearing a full body harness properly attached to the tree that is protecting you from a fall, do not leave the ground.
- ▲ **READ AND UNDERSTAND** all of the manufacturer's Warnings and Instructions and use all safety devices provided by the manufacturer. Contact the manufacturer for any questions. Failure to do so could result in injury or death.
- ▲ Inspect the treestand, climbing aid, rope, and all safety devices each time before use and **DO NOT** store a treestand or climbing aid outdoors when not in use.
- ▲ **ALWAYS** store your strap/rope out of direct sunlight and any other harsh environmental condition(s) that may adversely affect its performance. Failure to do so could result in serious injury or death.
- ▲ **NEVER** modify your treestand, climbing aid, or strap/rope in any way by making repairs, replacing parts, or altering it except if explicitly authorized in writing by the manufacturer.
- ▲ Instructions (written and video) shall be kept in a safe place and reviewed at least annually. It is the responsibility of the owner to furnish the complete instructions to any person who borrows or purchases the treestand, climbing aid, or strap/rope.
- ▲ Practice the attachment of hang-on treestands or climbing aids at ground level before using in a hunting environment. Doing so will confirm that the product is manufactured, assembled and installed correctly. Failure to install and test at ground level first puts users at risk for serious injury or death!

WARNING

- ▲ Climbing aids/aider ropes shall be spaced on the tree to insure each step is no more than 18 in. (45.72 cm) apart.
- ▲ Read and perform all inspection and maintenance tasks before each and every use. Replace and questionable components immediately with Nested original replacement parts.
- ▲ **ALWAYS** maintain three (3) points of contact when ascending or descending a ladder or climbing aid. Proper three-point contact means having either two feet with one hand or one foot with two hands on the step portion of the ladder or climbing aid at all times.
- ▲ **ALWAYS** wear the appropriate footwear when using a treestand or climbing aid. A good non-slip safety boot is important to your personal safety. Be especially careful that boot laces do not get hooked on the treestand, climbing aid, or any of their components (tuck shoelaces into boots before climbing).
- ▲ **ALWAYS** lean forward as you ascend or descend ladder or climbing aid. **NEVER** lean out over the edge of device.
- ▲ Double check assembly steps to be certain you have correctly assembled this product.
- ▲ Replace any and all treestand or climbing aid straps/ropes every two years or when any signs of damage or wear exist before.
- ▲ **NEVER** hold onto any section or pull on any section that is not securely attached to the tree.
- ▲ **DO NOT** crush tubing when tightening bolt assemblies! Identify and familiarize yourself with all parts before you start.
- ▲ **NEVER** use a product that has not been maintained and inspected properly – Your life depends on it!
- ▲ **DO NOT** remove labels/warnings from product, they are there for your safety.
- ▲ Recommended for adult use only.
- ▲ Only use approved Nested parts. Failure to do so may result in serious injury or death!

INSPECTION AND MAINTENANCE**BEFORE EACH USE PERFORM THE FOLLOWING:**

- Inspect all webbing, rope, cord, and strap assemblies for wear or damage.
- Inspect all hardware and chain components for damage or wear.
- Inspect for any structural damage to product. (If any exists stop use immediately and call our Customer Service.)
- Inspect all nut and bolt assemblies to be certain none are loose.
- Inspect for any missing parts.
- Never modify your stand in any way by making repairs, replacing parts, or altering by adding or attaching anything to it except if explicitly authorized in writing by the manufacturer.

WARNING

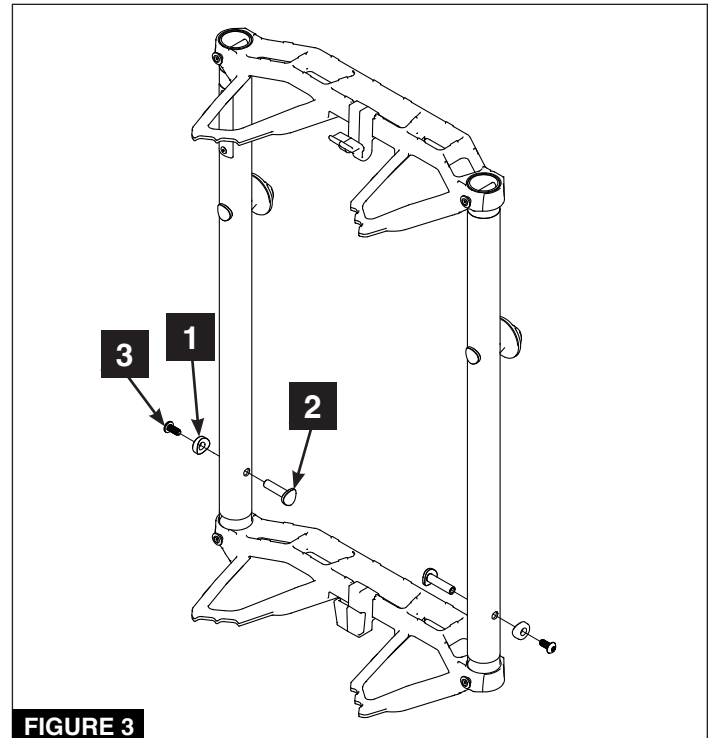
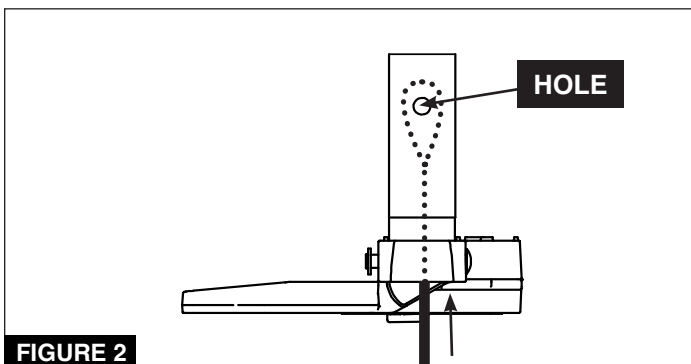
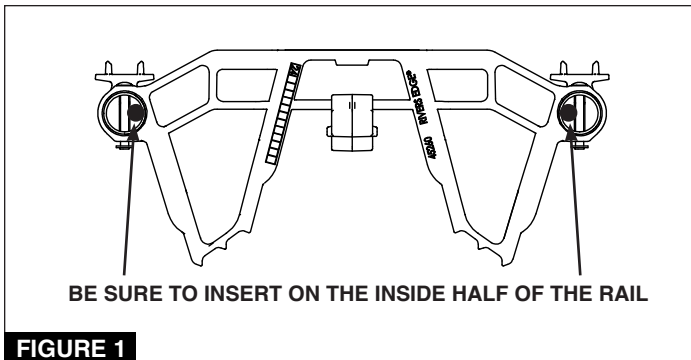
- ▲ Only use with approved Nested climbing aids! Read and understand the climbing aid's owner's manual for proper installation procedure and product warnings.
- ▲ It is critical to familiarize yourself with how the strap/rope attaches to the climbing aid. Practice attaching the climbing aid to the tree several times at ground level before ascending up the tree.
- ▲ **ALL** users are responsible for ensuring strap/rope is attached to climbing aid properly and securely. Failure to do so may result in serious injury or death. Read and understand all instructions for proper installation procedure and product warnings before use.
- ▲ Failure to discard and replace this rope after 2 years from purchase date, or when any signs of damage or wear exist could cause serious injury or death.
- ▲ **NEVER** modify this product.
- ▲ Use as its intended purpose only.
- ▲ **NEVER** wash this product in a washing machine.
- ▲ **ALWAYS** keep this product out of direct exposure to ozone generated by an ozone generator/machine.
- ▲ **NEVER** use this product when it has been exposed to moisture and has then froze. If it is stiff and frozen or covered in ice or frost, do not use it until it has thawed completely.
- ▲ **ALWAYS** place rope in center of foot and push toe straight into tree while climbing. Failure to do so will make climbing less stable and could result in serious injury or death!

SET-UP AND USE INSTRUCTIONS

NESTED
TREESTAND SYSTEMS™

The Nested® Aider Rope is designed to work with the Lite Rail™ and remain attached to each rail while stacking for transport. To assemble the aider to the rail:

1. On either side of the rail, insert one loop end of the rope into the bottom of the rail being sure to insert on the inside half of the rail in the location shown (**SEE FIGURE 1**). Slide in until the loop aligns with the hole through the side. (**SEE FIGURE 2**).
2. Insert the barrel nut (2) through the hole in the rail and loop end of the rope. Pay close attention to the rope loop, making sure that the barrel nut passes through it freely. The head of the barrel nut should be facing the inside of the rail.
3. Apply a small amount of the included blue thread locker to the threads of bolt (3). Secure rope in place using the brown spacer (1) and bolt (3) (**SEE FIGURE 3**). Using a torque wrench, torque the bolt to 3 foot-pounds. **MAKE SURE THE CURVED HEAD OF THE BARREL NUT IS ALIGNED PROPERLY WITH THE RAIL! DO NOT OVER TIGHTEN OR CRUSH THE TUBE!**
4. Repeat steps 1-3 for the remaining side.



CLIMBING INSTRUCTIONS

1. Install the Lite Rail™ to the tree according to the Lite Rail™ owner's manual instructions. If you are using the Nested® Tree Rope accessory instead of the cam strap, refer to the Tree Rope owner's manual instructions as well.
2. While climbing, place the Aider Rope in the center of your foot. (**SEE FIGURE 4**)
3. Push your toe firmly straight into the tree as you climb. (**SEE FIGURE 4**)
4. This method of climbing will provide the most stable climb.

