

Earthquake[®]

Groundbreaking Power Equipment

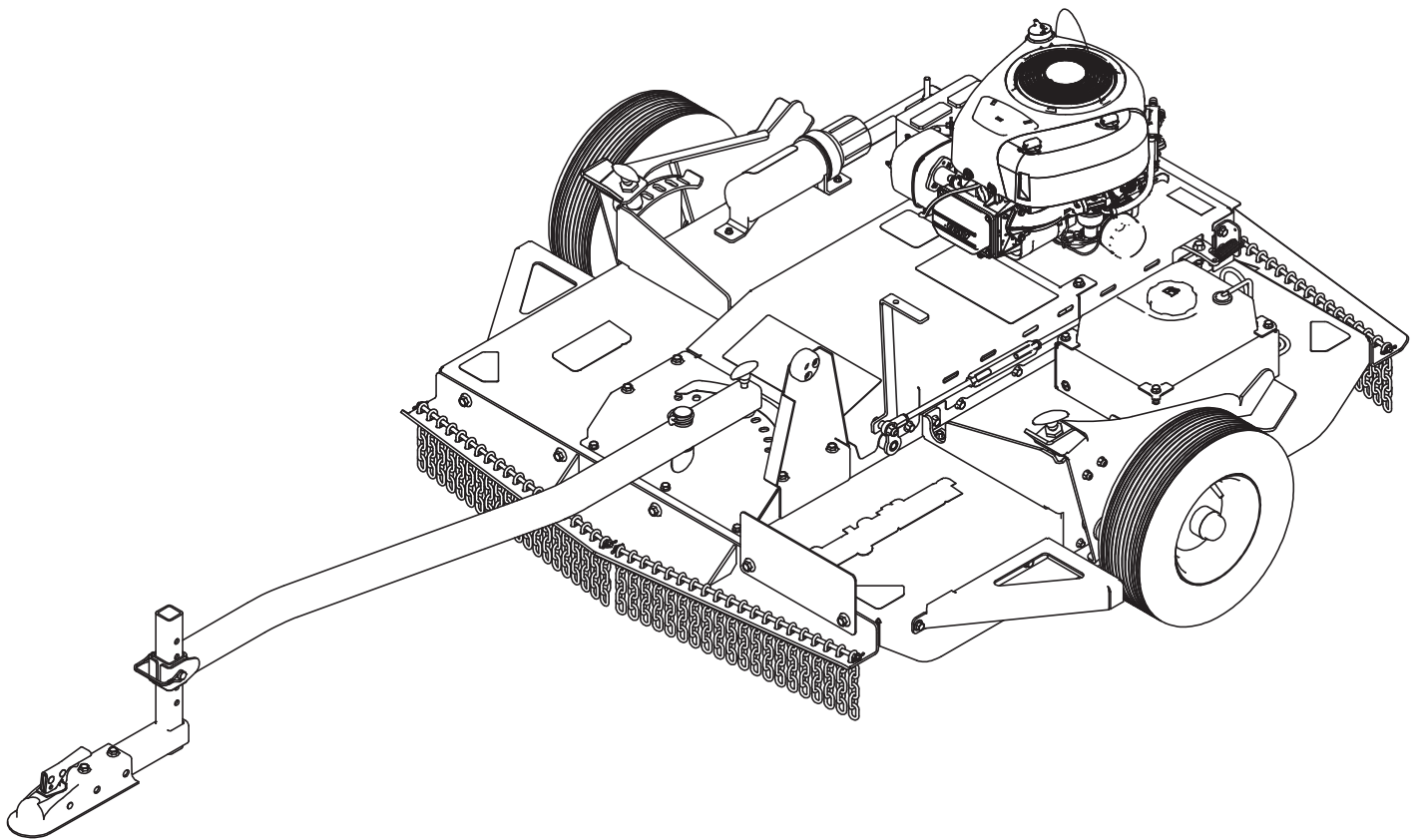
Operator Manual
Manuel de l'utilisateur

Acreage[™]
Rough Cut Mower

Model Number, Numéros de modèle :
42795

ENGLISH

FRANÇAIS



Get parts or technical assistance online at
www.getearthquake.com or call (800) 345-6007
Pièces détachées et assistance technique en ligne à
www.getearthquake.com ou composer le (800) 345-6007

© 2025 Ardisam
All Rights Reserved
Tous droits réservés
P/N: 42912
ECN: 14829
REV 2: 05/01/2025



THIS INSTRUCTION BOOKLET CONTAINS IMPORTANT SAFETY INFORMATION. PLEASE READ AND KEEP FOR FUTURE REFERENCE.
CE LIVRET D'INSTRUCTIONS CONTIENT DES INFORMATIONS IMPORTANTES SUR LA SÉCURITÉ. VEUILLEZ LE LIRE ET LE CONSERVER POUR TOUTE CONSULTATION EXTÉRIEURE.



ACTIVATE YOUR WARRANTY BEFORE USE

All products must be registered within 30 days from the date of purchase in order to be covered under warranty. For more information regarding Warranty and Registration please review the Warranty and Registration terms and conditions expressed in the warranty insert.

TABLE OF CONTENTS

Introduction/Contents	2
Warnings and Safety Precautions	3
Features	10
Assembly	11
Operation	13
Maintenance, Service, and Storage	18
Troubleshooting and Repair	19

INTRODUCTION

Thank you for purchasing your product from Earthquake®. We have worked to ensure that this product meets the highest standards for usability and durability. With proper care, your purchase will provide many years of service.

Please read this entire manual before installation and use. Earthquake® reserves the right to change, alter or improve the product and this document at any time without prior notice. Due to continuous product improvements, product images may not be exact. Some assembly may be required.

Read and keep this manual for future reference. This manual contains important information regarding safety, assembly, operation and maintenance. The owner must be certain that all the product information is included with the unit. This information includes the manual, the replacement parts and the

warranties. This information must be included to make sure state laws and other laws are followed. All persons to whom rent/loan this unit must have access to and understand this information. This manual should remain with the product even if it is resold. This manual can be stored on the machine in the included storage container located on the deck.

REGISTRATION & SERVICE

Record the product model number and serial number in the space provided for easy reference when ordering parts or requesting technical support. Excluding emissions-related warranty items, the warranty is valid only if the completed registration is received by Ardisam within 30 days of purchase. You can register your warranty online by visiting [www. GetEarthquake.com](http://www.GetEarthquake.com), or by mailing it to: Ardisam, 1730 Industrial Avenue, Cumberland, WI 54829. You may also call our Customer Service department at (800) 345-6007 Mondays through Fridays from 8 a.m. to 4:30 p.m. CST.

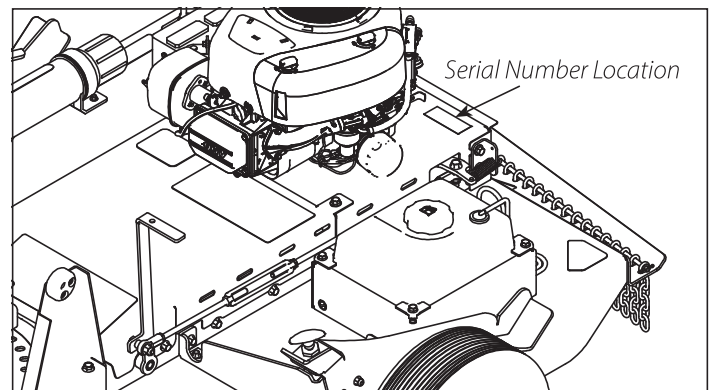


Figure 1

Serial Number

Date of Purchase

! DANGER

▲ CALIFORNIA PROPOSTION 65 WARNING - ENGINE EXHAUST FROM THIS PRODUCT CONTAINS CHEMICALS KNOWN TO THE STATE OF CALIFORNIA TO CAUSE CANCER, BIRTH DEFECTS, OR OTHER REPRODUCTIVE HARM.

WARNINGS & SAFETY PRECAUTIONS

OWNER'S RESPONSIBILITY

Accurate assembly and safe and effective use of the machine is the owner's responsibility.

- Read and follow all safety instructions.
- Carefully follow all assembly instructions.
- Maintain the machine according to directions and schedule included in this Earthquake® operator's manual.
- Ensure that anyone who uses the machine is familiar with all controls and safety precautions.

SPECIAL MESSAGES

Your manual contains special messages to bring attention to potential safety concerns, machine damage as well as helpful operating and servicing information. Please read all the information carefully to avoid injury and machine damage.

NOTE: General information is given throughout the manual that may help the operator in the operation or service of the machine.

▲ This symbol points out important safety instructions which if not followed could endanger your personal safety. Read and follow all instructions in this manual before attempting to operate this equipment.

BEFORE OPERATING EQUIPMENT:

PLEASE READ THIS SECTION CAREFULLY. Read entire operating and maintenance instructions for this product. Failure to follow instructions could result in serious injury or death. Operate the machine according to the safety instructions outlined here and inserted throughout the text. Anyone who uses this machine must read the instructions and be familiar with the controls.

INTENDED USE / FORESEEABLE MISUSE

IMPORTANT: This is a pull behind rotary mower that mows grass, brush, and trees up to 3" in diameter. The blades are manually engaged and disengaged by the user and are powered by a belt and gasoline-fueled internal combustion engine. It shall not be used for any other purpose.

▲ DANGER

**KEEP AWAY FROM ROTATING BLADES.
ROTATING BLADES WILL CAUSE INJURY OR DEATH.**



NOTICE

NOTICE INDICATES YOUR EQUIPMENT CAN BE DAMAGED IF THE SAFETY INSTRUCTIONS THAT FOLLOW THIS SIGNAL WORD ARE NOT OBEYED.

IMPORTANT

IMPORTANT INDICATES HELPFUL INFORMATION FOR PROPER ASSEMBLY, OPERATION OR MAINTENANCE OF YOUR EQUIPMENT.

▲ CAUTION

▲ CAUTION INDICATES A HAZARD WHICH, IF NOT AVOIDED, COULD RESULT IN PERSONAL INJURY AND/OR PROPERTY DAMAGE.

▲ WARNING

▲ WARNING INDICATES A HAZARD WHICH, IF NOT AVOIDED, COULD RESULT IN DEATH OR SERIOUS INJURY AND/OR PROPERTY DAMAGE.

▲ DANGER

▲ DANGER INDICATES A HAZARD WHICH, IF NOT AVOIDED, CERTAINLY WILL RESULT IN DEATH OR SERIOUS INJURY AND/OR PROPERTY DAMAGE.

▲ WARNING

▲ YOU MUST READ, UNDERSTAND AND COMPLY WITH ALL SAFETY AND OPERATING INSTRUCTIONS IN THIS MANUAL BEFORE ATTEMPTING TO SETUP AND OPERATE YOUR MACHINE. FAILURE TO COMPLY WITH ALL SAFETY AND OPERATING INSTRUCTIONS CAN RESULT IN LOSS OF MACHINE CONTROL, SERIOUS PERSONAL INJURY TO YOU AND/OR BYSTANDERS, AND RISK OF EQUIPMENT AND PROPERTY DAMAGE. THE TRIANGLE IN THE TEXT SIGNIFIES IMPORTANT CAUTIONS OR WARNINGS WHICH MUST BE FOLLOWED.

GENERAL SAFETY RULES

- Read, understand, and follow all instructions on the machine and in the manual(s). Be thoroughly familiar with the controls and the proper use of the mower before starting. Know how to disengaged the controls quickly and stop the machine.
- Familiarize yourself with all of the safety and operating decals on this equipment and on any of its attachments or accessories.
- Do not put hands or feet near or under rotating parts.
- Only allow responsible individuals, who are familiar with the instructions, to operate the mower.
- Thoroughly inspect the area where the machine is to be used and remove all foreign objects. Your equipment can propel small objects at high speed causing personal injury or property damage. Stay away from breakable objects, such as house windows, automobile, greenhouses, etc.
- Keep the area of operation clear of all persons, particularly small children, and pets.
- Wear appropriate clothing such as a long-sleeved shirt or jacket. Also wear long trousers or pants. Do not wear shorts.
- Do not wear loose clothing or jewelry. They can get caught in moving parts.
- Always wear safety goggles or safety glasses with side shields when operating mower to protect your eyes from foreign objects which can be thrown from the unit.
- Always wear work gloves and sturdy footwear. Wear footwear that will improve footing on slippery surfaces. Leather work shoes or short boots work well for most people. These will protect the operator's ankles and shins from small sticks, splinters, and other debris.
- It is advisable to wear protective headgear to prevent the possibility of being struck by small flying particles, or being struck by low hanging branches, twigs, or other objects which may be unnoticed by the operator.
- Do not operate the mower without proper guards or other safety protective devices in place.
- Use this equipment for its intended purpose only.
- See manufacturer's instructions for proper operation and installation of accessories. Only use accessories approved by the manufacturer.
- Operate only in daylight or good artificial light.
- Do not operate product when fatigued or under the influence of alcohol, drugs or other medication which can cause drowsiness or affect your ability to operate this machine safely.
- Never operate mower in wet grass. Always be sure of your vehicle's traction; keep a steady pace and do not exceed the recommended maximum speed in this manual.
- Stop the rotating cutting head and blades when crossing gravel drives, walks, or roads. Wait for the cutting blades to stop rotating before crossing.
- Watch for traffic when operating near, or when crossing roads.
- Stop the engine (motor) whenever you leave the equipment, before cleaning, repairing or inspecting the unit, be sure the mower and all moving parts have stopped. Let the engine cool, disconnect the spark plug wire, move it away from the spark plug and remove the ignition key.
- If the equipment should start to vibrate abnormally, stop the engine (motor), disconnect the spark plug wire, prevent it from touching the spark plug and remove the ignition key. Check immediately for cause. Vibration is generally a symptom of a larger issue.
- After striking a foreign object, stop the engine (motor). Remove the wire from the spark plug and remove the ignition key. Inspect the mower for damage. If damaged, repair before starting and operating the mower.
- Never leave the mower unattended when the engine is running.
- Regularly inspect the mower. Make sure parts are not bent, damaged or loose.
- Temperature of muffler and nearby areas may exceed 150° F (65°C). Allow muffler and nearby areas to cool before touching.
- Never pick up or carry machine while engine is running.
- Never operate or have engine running without having mower attached to suitable tow vehicle.

- Prolonged exposure to noise and vibration from gasoline engine powered equipment should be avoided. Take intermittent breaks and/or wear ear protection from engine noise.
- Check local regulations for age restrictions on use of this machine.
- If the noise or vibrations of the machine increase, stop immediately and perform an inspection.
- The fuel used in this machine is considered extremely flammable and should be handled with care. When storing extra fuel be sure that it is in an appropriate container and away from any fire hazards.
- Never attempt to make any adjustments while the engine is running (except where specifically recommended by the manufacturer).
- Blades of the mower should not rotate while the engine is running, and blade control handle is disengaged. If cutting blades rotate when blade control handle is disengaged, contact Earthquake customer service for instructions.
- Caution - Cutting head and blades will continue to rotate for a short period of time after blade control handle is disengaged. If cutting head and blades fail to stop rotating after 1 minute contact Earthquake customer service for instruction.

BEFORE OPERATING EQUIPMENT:

- Slopes are a major factor related to slip-and-fall or roll-over accidents which can result in severe injury. All slopes require extra caution. If you feel uneasy on a slope, do not mow it. Do mow up and down; never across the face of slopes. Do not mow slopes greater than 20 degrees, or as specified by the towing vehicle, which ever is less. Do not mow areas where the ground is very rough. See the "Slope Guide" in the back of this manual to check a slope. Exercise extreme caution when changing direction on slopes.
- Remove objects such as rocks, tree limbs, fence posts, etc.
- Watch for holes, ruts, or bumps. Tall grass can hide obstacles or foreign objects.

IMPORTANT NOTES:

Do not mow near drop-offs, ditches, or embankments. The towing vehicle could lose traction or balance.

Do not mow excessively steep slopes.

Do not mow on wet grass. Reduced traction could cause slipping or roll-over. Wet piles of grass can also cause fire due to spontaneous combustion.

Do not mow in extremely dry or drought conditions. Sparks generated by the machine may cause ignition of grass and leaves.

CHILDREN:

Tragic accidents can occur if the operator is not alert to the presence of children. Children are often attracted to the mower and the mowing activity. Never assume that children will remain where you last saw them.

- Keep children out of the mowing area and under the watchful care of a responsible adult that is not performing mower operation.
- Be alert and turn mower off if children enter the area.
- Before and while moving backwards, look behind and down for small children.
- Never allow children to operate the mower or be a passenger on the tow vehicle.
- Use extra care when approaching blind corners, shrubs, trees, or other objects that may obscure vision.

SERVICE:

- Use extra care in handling gasoline and other fuels. They are flammable and vapors are explosive.
- Fill fuel tank outdoors with extreme care. Never fill fuel tank indoors or near appliances with pilot lights, heaters, or other ignition sources. Replace fuel cap securely. If fuel is spilled, do not start the engine but move product and fuel container from area. Clean up spilled fuel and allow to evaporate.
- If the fuel has to be drained, this should be done outdoors. The drained fuel should be stored in a container specifically designed for fuel storage or it should be disposed of carefully and according to local regulations.

- Engines give off carbon monoxide, an odorless, colorless, poison gas. Breathing carbon monoxide can cause nausea, fainting or death. Always start and run engine outdoors. Do not start or run engine in an enclosed area, even if doors or windows are open.
- Never make adjustments or repairs with the engine (motor) running. Disconnect the spark plug wire, keep the wire away from the plug to prevent accidental starting, and remove the ignition key. Always wear eye protection when you make adjustments or repairs.
- Check the mower head and engine mounting bolts at frequent intervals for proper tightness.
- Keep all nuts and bolts tight and keep equipment in good condition. Check mounting hardware on mower prior to each use.
- Never tamper with safety devices. Check their proper operation regularly.
- When servicing or repairing the mower, do not tip the machine over or up unless specifically instructed to do so in this manual. Service and repair procedures can be done with the mower in an upright position. Some procedures will be easier if the machine is lifted on a raised platform or working surface.
- To reduce fire hazard, keep mower free of grass, leaves, or other debris build-up. Clean up oil or fuel spillage. Allow mower to cool before storing.
- Stop and inspect the equipment if you strike an object. Repair, if necessary, before restarting.
- Always disconnect spark plug wire and remove the ignition key before cleaning, repairing, or adjusting.
- Do not change the engine governor setting or over-speed the engine.
- Clean and replace safety and instruction decals as necessary.
- To guard against engine over-heating, always have engine debris filter mounted and clean.
- Inspect cooling fins on engine.

- Inspect mower before storage. When not in use, disconnect spark plug wire, remove ignition key and store indoors in a dry place locked or otherwise inaccessible to children.
- Use only original equipment or authorized replacement parts.
- Always follow the manufacturers instructions on operation of the tow vehicle.
- Always remove built up debris on the mower before storage. If build up is noticed during operation, stop immediately and remove debris following safety precautions in this manual.

ENGINE SAFETY PRECAUTIONS

If your product comes with a separate engine manual, be sure to read and follow all safety and warning precautions outlined there, in addition to any in this manual.

PREVENTING CARBON MONOXIDE POISONING

- Always start and run engine outdoors. Do not start or run engine in an enclosed area, even if doors or windows are open.
- Never try to ventilate engine exhaust indoors. Carbon monoxide can reach dangerous levels very quickly.
- Never run engine outdoors where exhaust fumes may be pulled into a building.
- Never run engine outdoors in a poorly ventilated area where the exhaust fumes may be trapped and not easily taken away. (Examples include: in a large hole or areas where hills surround your working area.)
- Never run engine in an enclosed or partially enclosed area. (Examples include: buildings that are enclosed on one or more sides, under tents, car ports or basements.)
- Never point the exhaust muffler towards anyone. People should always be many feet away from the operation of the engine and its attachments.
- Do not change the engine governor settings or over-speed the engine.

SAFE HANDLING OF GASOLINE

- Use extra care in handling gasoline and other fuels. They are extremely flammable and vapors are explosive.
- Extinguish all cigarettes, cigars, pipes and other sources of ignition.
- Never remove gas cap or add fuel with the engine running. Allow engine to cool before refueling.
- Never store the machine or fuel container where there is an open flame, spark, or pilot light such as on a water heater or on other appliances.
- Never fill containers inside a vehicle or on a truck or trailer bed with a plastic liner. Always place containers on the ground away from your vehicle before filling.
- Remove gas powered equipment from the truck or trailer and refuel it on the ground. If this is not possible, then refuel such equipment with a portable container, rather than from a gasoline dispenser nozzle.
- Keep the nozzle in contact with the rim of the fuel tank or container opening at all times until fueling is complete. Do not use a nozzle lock open device.
- If fuel is spilled on clothing, change clothing immediately.
- Never overfill fuel tank. Replace gas cap and tighten securely.
- If fuel is spilled do not attempt to start the engine but move the machine away from the area of spillage and avoid creating any source of ignition until fuel vapors have dissipated.
- Prevent fire and explosion caused by static electric discharge.
- Use only nonmetal, portable fuel containers approved by the Underwriter's Laboratory (U.L.) or the American Society for Testing & Materials (ASTM).
- Always fill fuel tank outside in a well ventilated area. Never fill your fuel tank with fuel indoors. (Examples include: basement, garage, barn, shed, house, porch, etc.).
- Test the fuel cap for proper installation before starting and using engine.
- Always run the engine with fuel cap properly installed on the engine.

SAFETY DECALS AND WARNINGS

Pictured below are safety and hazard symbols on the unit or in this manual. Before you operate your unit, learn and understand the purpose for each symbol.



HAZARD SYMBOLS AND MEANINGS

- a: Warning!
- b: Read Owner's Manual Before Operating Machine
- c: Keep Hands Clear, Contact Can Injure
- d: Keep Feet Clear, Contact Can Injure
- e: Go Up And Down Slopes, Not Across Slopes Sideways
- f: Remove Objects That Could Be Thrown By The Blade

Should any of the safety labels become unreadable because of being worn, faded, or otherwise damaged during the use of your mower, please use the part number information provided to order a replacement label.



Part Number: 21433
Decal Danger Spinning Blades



Part Number: 21429
Decal Danger Keep Hands And Feet Away



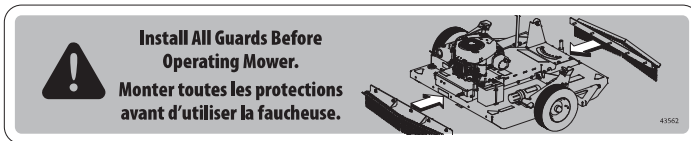
Part Number: 21432
Decal Caution Do Not Exceed 5 MPH



Part Number: 21430
Decal Mower Warnings



Part Number: 42909
Decal Danger Flying Debris Guard Not Installed



Part Number: 43562
Decal Install All Guards Before Operating Mower

FEATURES

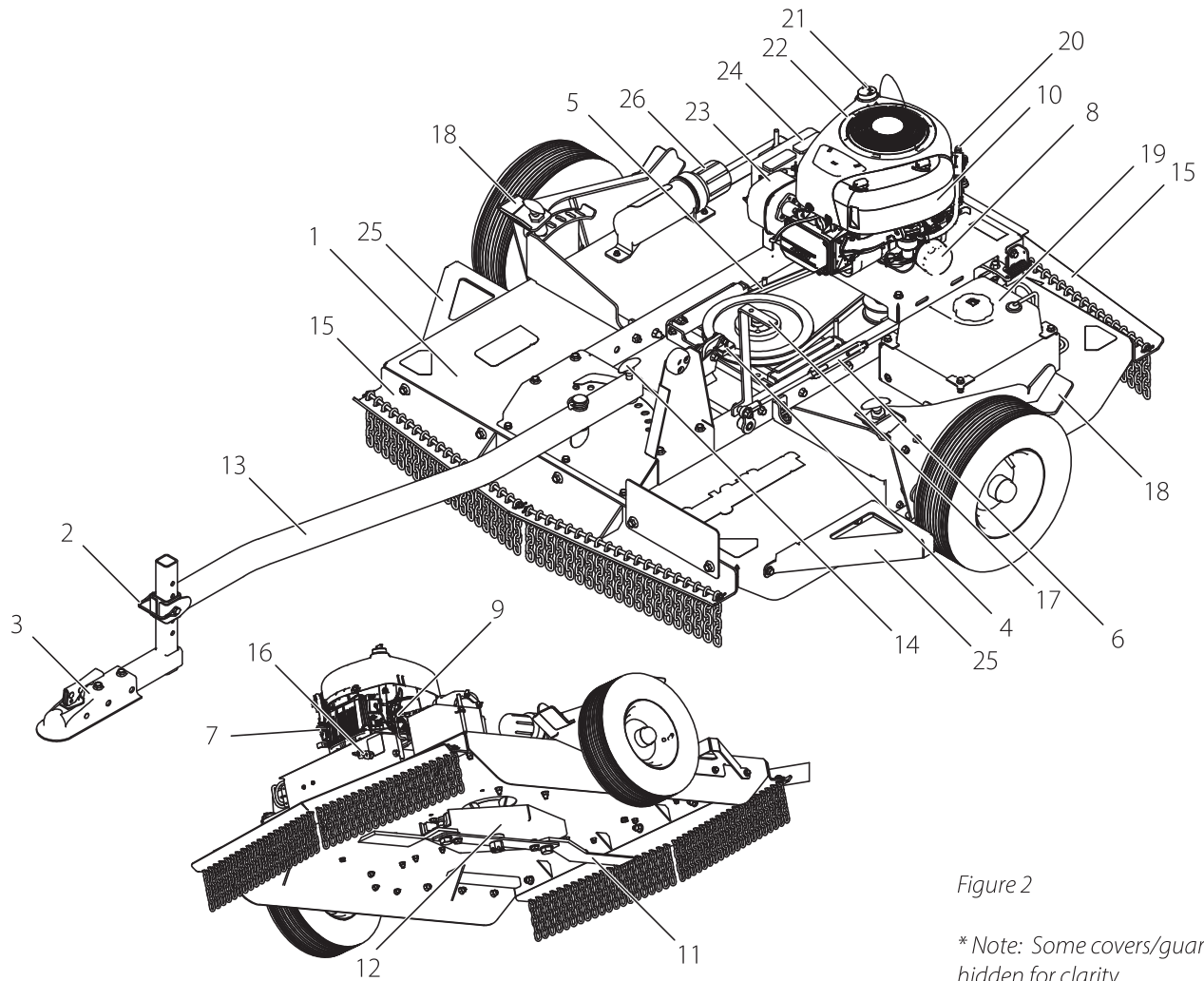


Figure 2

* Note: Some covers/guards hidden for clarity.

FEATURE	LOCATION	FEATURE	LOCATION
Adjustable Ball Coupler Hitch	3	Exhaust Muffler	23
Air Filter Element (Under Cover)	10	Fuel Pump	20
Battery	24	Fuel Tank (1.72 Gallon)	19
Blade Control Handle	17	Hitch Height Adjustment Pin	2
Blade Belt Adjustment Turnbuckle	6	Key Start Ignition	16
Break-away Cutting Blades	11	Mower Deck	1
Choke Control	7	Oil Fill Port	21
Cutting Head	12	Oil Filter	8
Cutting Head Brake	4	Storage Canister	26
Cutting Head Drive Belt	5	Tongue Locking Pin	14
Debris Guards (Front and Rear)	15	Tool-less Adjustable Tongue (9 Towing Positions)	13
Electric Start Gasoline Air-Cooled Engine	22	Tool-less Step-and-Drop Wheel Adjusters (5 Positions)	18
Engine Oil Drain	9	Wheel Brush Guard	25

⚠ WARNING

▲ USE THE CORRECT PERSONAL PROTECTION. WEAR SAFETY GLASSES OR FACE SHIELDS WHILE ASSEMBLING OR OPERATING THE MOWER.

BE CAREFUL OF SHARP EDGES. THE CUTTER BLADE ASSEMBLY CAN ROTATE AS THE DECK IS MANEUVERED. WEAR GLOVES WHEN HANDLING THE MOWER DECK AND CUTTER BLADES.

REMOVE SPARK PLUG WIRE FROM SPARK PLUG AND KEY FROM IGNITION BEFORE DOING ANY ASSEMBLY OR MAINTENANCE TO THE MOWER.

MULTIPLE PERSON OR MECHANICAL LIFT REQUIRED. THE RC4432 MOWER WEIGHS 675 LBS. DO NOT TRY TO LIFT ALONE.

ASSEMBLY

TOOLS REQUIRED

- Wrenches
- Tire Pressure Gauge
- Side Cutter or Industrial Scissors
- Safety Goggles and Gloves
- Tow Vehicle

REMOVE THE MOWER FROM THE SHIPPING CRATE

1. Remove any loose parts or packaging from the crate.
2. Remove debris guards and tongue from crate.
3. Remove parts bags from storage canister.
4. Remove bolts and nuts from legs and braces securing top frame of crate to bottom frame. Use two people to lift top frame off and set aside.
5. Remove nuts, bolts and tabs securing mower deck to lower crate frame.
6. Using the supplied M12 nuts and bolts (quantity 10), install front and rear debris guards and deflector to mower deck. Torque bolts to 70 ft-lbs (95 Nm).

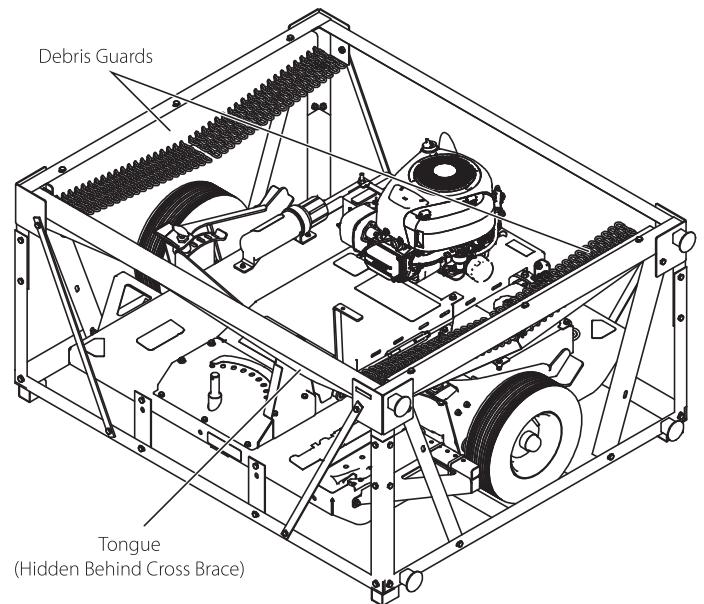


Figure 3

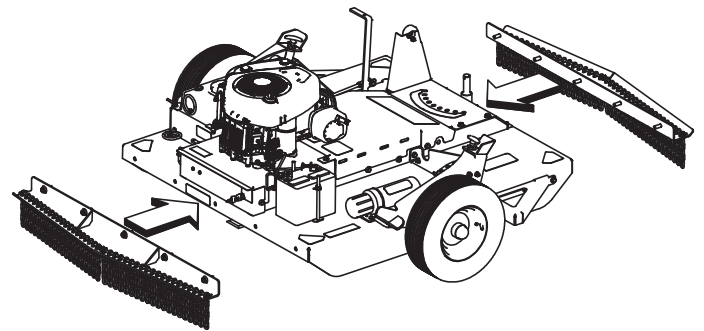


Figure 4

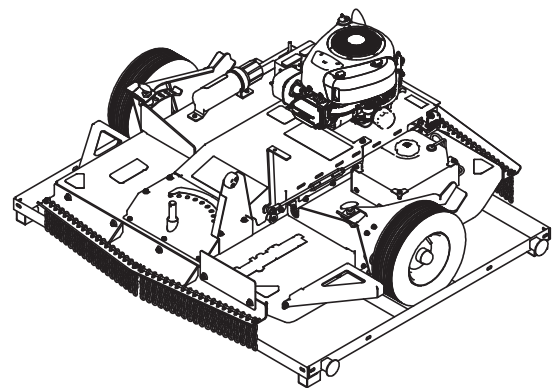


Figure 5

DANGER: Do Not Operate Without Both Front and Rear Debris Guards Installed. Failure to install debris guards may result in serious injury or death. If you need help, have any questions, or are missing parts, contact Earthquake customer service before continuing.

7. Assemble and install hitch and tongue onto machine. Use the tongue locking pin to secure the tongue into the center or straight position.
8. Raise the cutter deck to the highest height position (see cutter height adjustment on page 13) to clear the crate. The mower can now be slowly rolled or pulled off the shipping crate frame.
9. Remove any additional packaging materials and inspect the mower.

ENGINE PREPARATION

See the engine manufacturer's instructions for the type of gasoline and oil to use. Before you use the unit, read the information on safety, operation, maintenance, and storage.

WARNING

▲ USE THE CORRECT PERSONAL PROTECTION. GASOLINE AND ENGINE OIL ARE HAZARDOUS TO YOUR HEALTH.

ALWAYS USE A SAFETY APPROVED GASOLINE CONTAINER.

DO NOT SMOKE WHEN ADDING GASOLINE TO THE ENGINE.

DO NOT FILL WITH GASOLINE WHEN INSIDE AN ENCLOSURE. ALWAYS MOVE OUTDOORS WHERE FUEL VAPORS WILL NOT COLLECT.

THE ENGINE AND MUFFLER CAN BE VERY HOT AND CAUSE BURNS. BEFORE YOU ADD GASOLINE, STOP THE ENGINE. LET THE ENGINE COOL FOR SEVERAL MINUTES.

FILL CRANKCASE WITH OIL

See engine manual for oil fill instructions.

CAUTION

▲ ENGINE DOES NOT CONTAIN OIL OR GASOLINE WHEN SHIPPED FROM THE FACTORY. YOU MUST SERVICE THE ENGINE BEFORE OPERATION.

FOLLOW THE ENGINE MANUFACTURER'S INSTRUCTIONS FOR THE TYPE OF GASOLINE AND OIL TO USE.

FILL FUEL TANK WITH GASOLINE

See the engine manufacturer's instructions for the type of gasoline to use.

BATTERY PREPARATION

The Rough Cut Mower is supplied with a 12 volt, maintenance free lead acid battery. When the battery is properly maintained and charged, it will provide years of dependable service.

⚠ WARNING

▲ USE THE CORRECT PERSONAL PROTECTION. BATTERY CONTAINS SULFURIC ACID AND IS CORROSIVE. YOU MUST WEAR SAFETY GOGGLES AND GLOVES WHEN SERVICING THE BATTERY.

DO NOT DROP THE BATTERY. BATTERY IS HEAVY AND CAN CAUSE DAMAGE TO EQUIPMENT OR CAUSE PERSONAL INJURY IF DROPPED.

USE THE CORRECT CHARGER AND ALWAYS INSPECT THE BATTERY AND TERMINALS FOR DAMAGE OR WEAR. REPLACE ANY DAMAGED OR WORN ITEMS.

DO NOT LIFT OR CARRY THE BATTERY BY THE TERMINALS OR CABLES. DO NOT SHORT CIRCUIT THE BATTERY TERMINALS. DAMAGE TO THE BATTERY OR FIRE CAN OCCUR. SERIOUS INJURY OR DEATH CAN RESULT.

⚠ WARNING

▲ MAKE SURE YOU READ AND UNDERSTAND THE OPERATORS MANUAL BEFORE ATTEMPTING TO OPERATE THIS MACHINE. KNOW HOW TO QUICKLY SHUT DOWN THE MOWER AND TOW VEHICLE BEFORE ATTEMPTING TO OPERATE THIS MACHINE.

BE CAREFUL AROUND MOVING PARTS. THE MOWER HEAD WILL CONTINUE TO ROTATE FOR SEVERAL SECONDS AFTER THE ENGINE HAS STOPPED.

DO NOT ATTEMPT TO CRANK OR START THE ENGINE BEFORE IT HAS BEEN PROPERLY SERVICED WITH THE RECOMMENDED OIL. THIS MAY RESULT IN AN ENGINE FAILURE.

DO NOT MODIFY, REMOVE, CUT, BEND, OR WELD THE PARTS OF THE MOWER OR THE SHIELD GUARDS. MODIFICATION OF YOUR MACHINE WILL VOID YOUR WARRANTY AND CAN CAUSE PROPERTY DAMAGE, SERIOUS INJURY AND/OR DEATH.

ALWAYS BE AWARE OF THE MOWER POSITION. THE MOWER CAN BE TOWED AT AN OFF SET AND MAY NOT ALWAYS BE DIRECTLY BEHIND THE TOW VEHICLE.

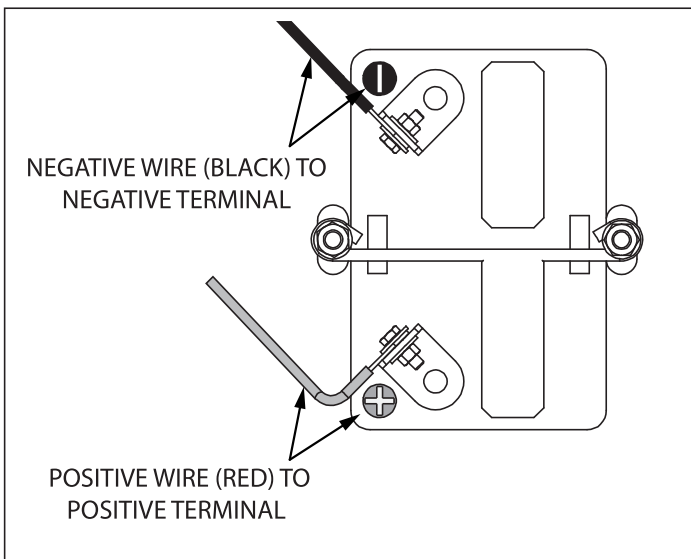


Figure 6

1. The Rough Cut Mower is shipped with the negative battery terminal disconnected. This is to prevent battery discharge while in shipping. If necessary, connect the terminal and charge the battery.

WHEEL PREPARATION

Use a tire pressure gauge to check the tire pressure. Fill tires to a maximum of 28psi.

OPERATION

HOW TO START THE MOWER

1. Make sure the battery is connected and grounded. See Figure 6.
2. Make sure the blade control handle is in the DISENGAGED position. See Figure 7.
3. Review engine starting instructions in engine manual
4. Pull out choke on engine. If restarting a hot engine, choke may not be necessary.
5. Turn the key switch to the center position RUN position and then to the START position for no more than 5 seconds. Repeat up to 3 times until the engine starts. (If engine fails to start after 3 attempts, refer to Trouble Shooting Guide). When the engine starts, release the key to the RUN position.
6. Push in choke control once engine starts.

⚠ WARNING

▲ IF DURING OPERATION THE MOWER MAKES UNUSUAL NOISES OR VIBRATIONS, SHUT OFF THE TOW VEHICLE THEN SHUT OFF THE ROUGH CUT MOWER ENGINE. WAIT FOR THE ENGINE AND MOWER PARTS TO COOL. REMOVE THE SPARK PLUG AND KEY FROM IGNITION BEFORE INSPECTING THE MOWER.

INSPECT MOWER FOR LOOSE, WORN, DAMAGED, OR MISSING HARDWARE. REPAIR OR REPLACE ANY DAMAGED PARTS BEFORE OPERATION OF THE MOWER. ALWAYS USE APPROVED REPLACEMENT PARTS AND HARDWARE.

CLEAR ALL OBSTRUCTIONS FROM THE MOWER DECK, AIR FILTER, AND EXHAUST MUFFLER AREAS.

MOWER BLADES ARE SHARP. MAKE SURE YOU WRAP THE BLADES OR USE GLOVES WHEN SERVICING.

DO NOT ALLOW PEOPLE OR PETS TO RIDE ON THE MOWER WHEN RUNNING OR STOPPED.

DISENGAGE THE MOWER BLADES AND USE EXTREME CAUTION WHEN CROSSING DRIVEWAYS, SIDEWALKS, OR ROADWAYS. BE ALERT FOR TRAFFIC AND HIDDEN ROAD HAZARDS.

NEVER LEAVE TOW VEHICLE OR MOWER RUNNING UNATTENDED. MAKE SURE TO SHUT DOWN THE TOW VEHICLE PER MANUFACTURERS INSTRUCTIONS. SET THE PARKING BRAKE AND REMOVE THE KEY. DISENGAGE THE MOWER CUTTING BLADES, SHUT DOWN THE ROUGH CUT MOWER ENGINE AND REMOVE THE KEY.

SHUT OFF ENGINE BEFORE ADJUSTING DECK HEIGHT. KEEP HANDS AND FEET FROM UNDER THE DECK. MAKE SURE BLADES ARE STOPPED. THE MOWER IS HEAVY AND COULD CAUSE INJURY.

DO NOT PLACE HANDS OR FEET UNDER DECK OF MOWER WHEN ENGINE IS RUNNING OR BLADES ARE TURNING.

FAILURE TO FOLLOW WARNINGS CAN RESULT IN SERIOUS INJURY OR DEATH.

HOW TO STOP THE MOWER

1. Make sure the blade control handle is in the DISENGAGED position.
2. Turn the key to the STOP position. Always remove the key for safety.

ENGAGE/DISENGAGE THE CUTTING BLADES

1. Engage the cutter blades by pulling the blade control handle towards the front of the mower. The handle should stay in forward/down position on its own.
2. Disengage the cutter blades by pushing the blade control handle towards the rear of the mower or by pulling the rope attached to the blade control handle. The handle should snap back to backward/up position.

CUTTER DECK HEIGHT ADJUSTMENT

1. To adjust the cutting height:
 - a. Apply foot pressure to the deck height adjuster foot pad. See Figure 7.
 - b. While holding foot pressure on the foot pad, lift the spring loaded deck height adjustment knob to disengage and allow movement of the deck height adjuster.
 - c. Apply or release foot pressure on the deck height adjuster foot pad to align the index holes on the top deck height adjuster to achieve the desired height.
 - d. Release the spring loaded deck height adjustment knob into the appropriate hole to secure the mower deck at the required height.
2. Repeat Steps 1 a. - d. to adjust the other side.

NOTE: Make sure the left and right sides of the mower deck height adjustment is the same on both sides. Cutting height is between 3.5 to 7.5 inches.

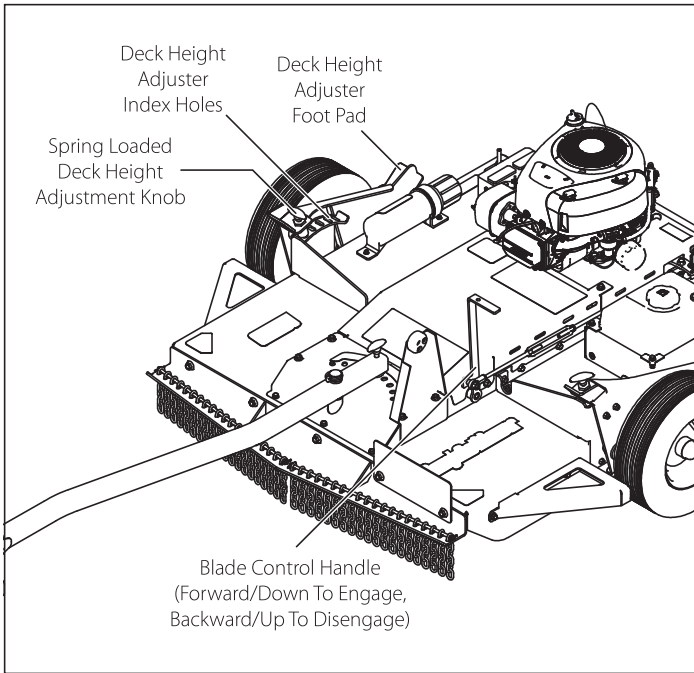


Figure 7

TONGUE OFFSET ADJUSTMENT

1. Offset the tongue as follows:
 - a. Lift the spring loaded tongue locking pin knob and turn 90 degrees to lock in the up/disengaged position.
 - b. Position the tow bar at the desired numbered offset hole on the deck mount degree plate. See Figure 9 and Table 1.
 - c. Lift the spring loaded tongue locking pin knob and turn 90 degrees to lock in the down/engaged position. Make sure the pin engages completely.

NOTE: Hitch point of towing vehicle should be beyond edge of rear tires for best towing performance.

BALL COUPLER HITCH ADJUSTMENT

1. Remove hitch height adjustment pin and slide hitch up or down in tube to reach desired height. See Figure 8.

NOTE: Ball coupler can be reversed on hitch to accommodate different height ranges.

2. Line up desired hole and replace pin.

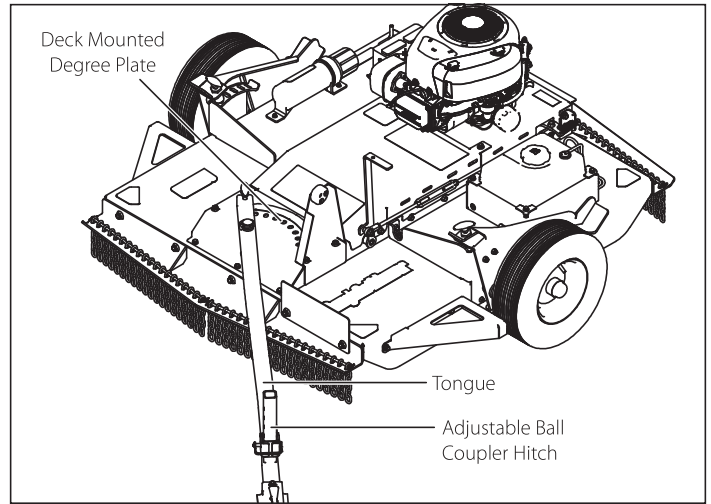


Figure 8

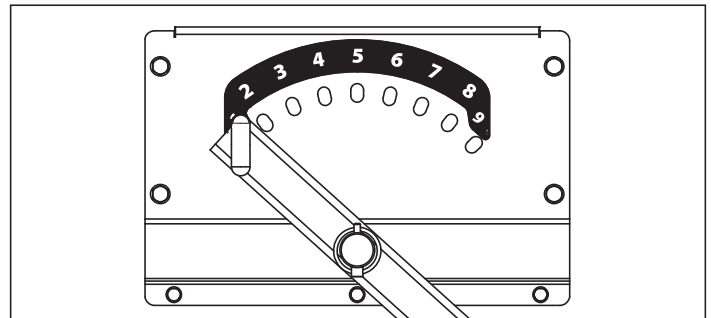


Figure 9

Table 1	Tongue Offset Guide
Position	Offset (in)
1	49.8
2	39.4
3	27.0
4	14.0
5	0.0
6	14.0
7	27.0
8	39.4
9	49.8

WARNING

▲ DO NOT MAKE ADJUSTMENTS TO MOWER WHILE ENGINE IS RUNNING.

DO NOT LEAVE MOWER UNATTENDED WHILE ENGINE OR TOW VEHICLE IS RUNNING. SET THE TOW VEHICLE PARKING BRAKE, SHUT OFF THE TOW VEHICLE. DISENGAGE THE MOWER CUTTING BLADES, SHUT OFF THE ROUGH CUT MOWER ENGINE. WAIT FOR THE MOWER BLADES TO STOP ROTATING.

NEVER RUN THE ENGINE INDOORS OR IN A POORLY VENTILATED AREA. ENGINE EXHAUST CONTAINS CARBON MONOXIDE, AN ODORLESS AND DEADLY GAS.

KEEP HANDS, FEET, HAIR AND LOOSE CLOTHING AWAY FROM THE MOWER AND ANY MOVING PARTS ON THE ENGINE.

DO NOT TOUCH THE MUFFLER OR SURROUNDING AREAS. TEMPERATURES MAY EXCEED 150 DEGREES FAHRENHEIT.

DEBRIS SUCH AS STICKS, GRAVEL OR ROCKS CAN BE THROWN WITH SUFFICIENT FORCE TO CAUSE PERSONAL INJURY OR PROPERTY DAMAGE.

CHECK THE TOW VEHICLE OWNERS MANUAL TO DETERMINE THE TOWING CAPACITY ON SLOPES AND HILLS. USE EXTREME CAUTION WHEN OPERATING THE MOWER HILLY, UNEVEN, OR WET TERRAIN. MAKE SURE YOU FOLLOW RECOMMENDATIONS SO YOU DO NOT TIP THE MOWER OVER.

NEVER USE THE MOWER ON SLOPES GREATER THAN 20 DEGREES.

FOR BETTER CONTROL ON SLOPES, MOW UP AND DOWN AND NEVER ACROSS THE SLOPE.

DRIVE BELT TENSION ADJUSTMENT

1. Loosen jamb nut by turnbuckle on engagement rod.
2. Turn turnbuckle to increase or decrease length of engagement rod.

Note: Increasing length of rod reduces belt tension, decreasing length of rod increases belt tension.

3. Once desired belt tension is reached, tighten jamb nut against turnbuckle.

Note: Belt should be tight enough to not slip during use, but loose enough that engaging blades is easy. Belt slip can be noticed by excessive belt wear, belt shavings in drive area, hot belt after minimal use, cutting performance decreases without engine RPM decreasing, smell of rubber during use.

CUTTING BLADES

- Check cutting blades for damage before each use.
- Blades with large dents, blade wear or other damage should be replaced.
- Always replace blades in pairs to maintain cutting head balance.
- Dull undamaged blades can be sharpened with a file or grinder.
- Remove blades from mower before sharpening.
- Sharpen blades evenly to maintain balance.
- Edge should not be sharpened to a point for best blade life. Leave 1/16" blunt edge.
- Reinstall blades and torque bolts to 600nm (443 ft-lbs).
- Replace any damaged hardware.

MOWER TIPS

- Never operate outside of tow vehicle recommendations or limitations.
- If the weeds or grass are tall and thick, operate the mower at a slower towing speed.
- Frequently clean the underside of the mower to remove any

grass build up. See the “Maintenance, Service and Storage” section for details.

- Do not mow on excessively steep slopes. Never use the mower on slopes greater than 20 degrees using any type of tow vehicle. Do not mow on slopes when the ground is slippery or wet. Mow up and down the face of the slope, not across.
- Do not operate tow vehicle over 5 mph on flat terrain, or 4 mph on rough terrain while towing the mower.
- When cutting larger wooded sections like small saplings, allow the mower to ride up over the material slowly. Use a slower speed to adjust for various conditions.
- After the first pass of cutting large saplings, mow the section again to clean additional debris. Mow from the trunk towards the top as the brush lays on the ground.
- Do not use a commercial or non-commercial automobile, truck, sport utility vehicle (SUV) or motorcycle, as defined by the Wisconsin Department of Motor Vehicles, to tow the Rough Cut Mower. These vehicles make it difficult to see and control the mower. Use of these tow vehicle types will void the warranty.
- Adjust height of hitch to pitch mower front upward to get better mulching of debris.

Note: This increases engine load and slower ground speed is recommended.

- Mowing of grass in a position that offsets out of the towing vehicle wheel tracks will result in more even cut due to lack of matting of grass from towing vehicle.
- Lower deck settings result in better single pass cuts in grass.
- Attach blade engagement handle rope to towing vehicle in location that can easily be removed. Pull rope to disengage blades and prevent engine stall or blade damage by foreign objects.

Note: Remember to remove rope before unhitching mower.

TOW VEHICLE RECOMMENDATIONS

Earthquake® recommends a tow vehicle be either two or four wheel drive. Some suitable suggestions are listed below:

- Compact or Sub-compact tractor
- Utility Vehicle (UTV)
- All-Terrain Vehicle (ATV)
- Lawn/Garden Tractor (17 HP and above and weighing at least 500 lbs.)
- Riding lawn mowers with engines under 17 HP and weighing less than 500 lbs. are not suitable for use on slopes greater than 5 degrees.

NOTE: Do not operate the tow vehicle out side of the manufacturers recommended operating instructions or conditions. Lawn and garden tractors work best as tow vehicles when the cutting deck is removed.

MAINTENANCE, SERVICE, AND STORAGE

How to Change Engine Oil

See engine manual for manufacturer's recommendations.

WARNING

▲ BEFORE YOU INSPECT, CLEAN OR SERVICE THE MOWER, STOP THE ENGINE. MAKE SURE THAT ALL MOVING PARTS HAVE STOPPED. DISCONNECT THE WIRE FROM THE SPARK PLUG AND REMOVE KEY FROM THE IGNITION.

MAINTENANCE SCHEDULE

NOTE: Maintenance, replacement or repair of the emissions control devices and systems may be performed by any non-road engine repair establishment or individuals. However, items must be serviced by an authorized dealer to obtain "no charge" emissions control service. Good maintenance is essential to help reduce air pollution and for safe, economical and trouble-free operation.

Service Records	Before Each Use	Every 25 Hours	As Noted
Check Engine Oil Level	X		
Check Mower Blades	X		
Check Tire Pressure	X		
Engine/Machine Cleaning	X		1
Check Nuts And Bolts	X		
Check Spark Plug		X	2
Change Engine Oil		X	2
Service Air Filter		X	2
Check Belt Tension	X		

Table 2

NOTE 1 - Clean daily if used in extremely dusty or dirty conditions.

NOTE 2 - Change more often if used in extremely dusty or dirty conditions. Follow engine manufacturer's recommendation.

STORAGE

When the mower is put in storage for thirty days or more, follow the steps below to make sure the mower is in good condition the following season.

MOWER:

1. Store the mower in a building that is well-ventilated.
2. Completely clean the mower, including dirt and debris from the cylinder cooling fins and the engine housing.
3. Fully charge battery. After complete charge, disconnect negative battery terminal and move away from battery post.
4. When not in use, disconnect spark plug wire, remove key from ignition and store in a well-ventilated area inaccessible to children.

NOTE: A yearly check-up or tune-up at an authorized service dealer will ensure that the mower will provide maximum performance for the next season.

ENGINE:

1. Follow manufacturer's recommendation for engine long-term storage.

TROUBLESHOOTING & REPAIR

At Earthquake®, we build quality and durability into the design of our products; but no amount of careful design by us, and careful maintenance by you, can guarantee a repair-free life for your Rough Cut Mower. Most repairs will be minor, and easily fixed by following the suggestions in the troubleshooting guide in this section.

The guide will help you pinpoint the causes of common problems and identify remedies.

For more complicated repairs, you may want to rely on an authorized service center. A parts breakdown is located in a separate manual.

We will always be glad to answer any questions you have, or help you find suitable assistance. To order parts or inquire about warranty, call or email us using the contact information found below.

WARNING

▲ DO NOT REMOVE GASOLINE WHILE INSIDE A BUILDING, NEAR A FIRE, OR WHILE YOU SMOKE. GASOLINE FUMES CAN CAUSE AN EXPLOSION OR A FIRE.

ORDERING REPLACEMENT PARTS

Parts can be obtained from the store where the rough cut mower was purchased or direct from the factory. To order parts visit www.getearthquake.com or call 800-345-6007.

For other general questions, you can e-mail us at info@getearthquake.com.

Please include the following information with your order:

- 1) Part numbers
- 2) Part description
- 3) Quantity
- 4) Model number and serial number

GENERAL RECOMMENDATIONS

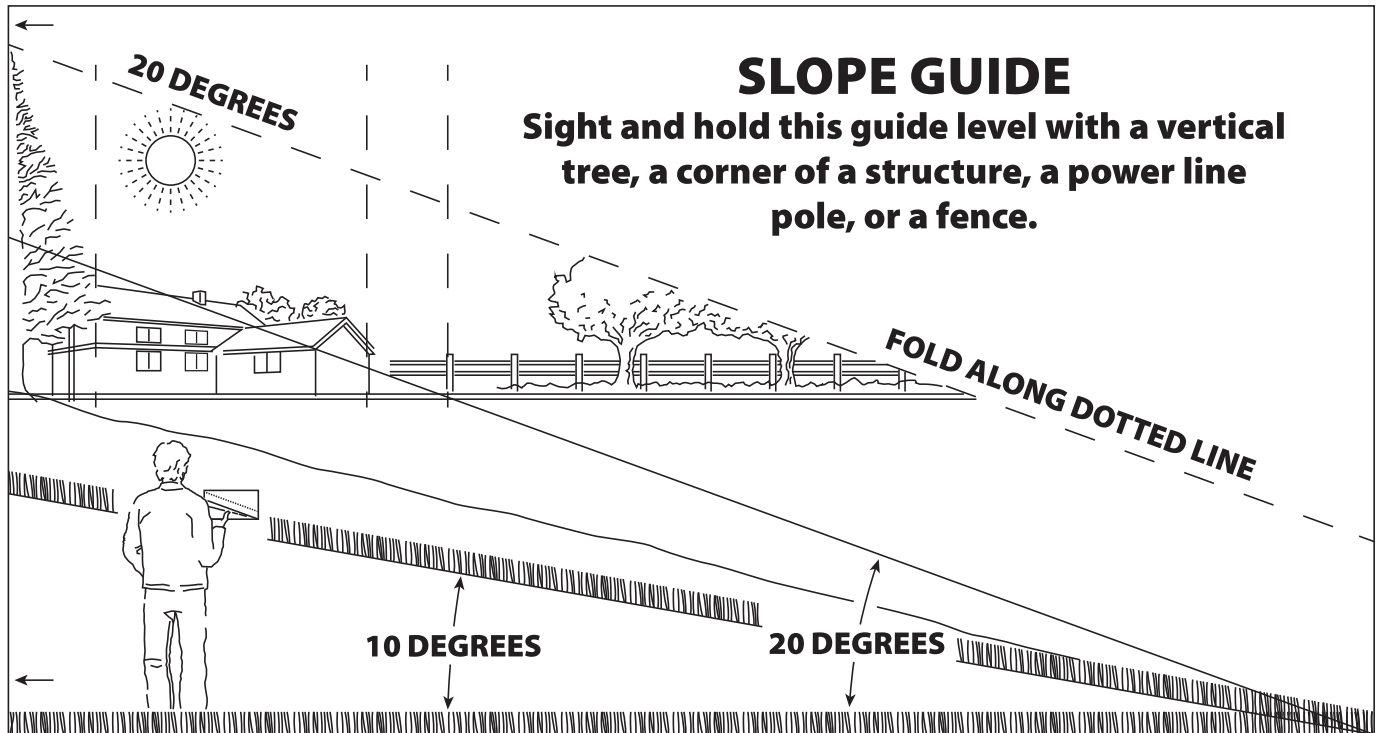
The warranty on this mower does not cover items that have been subjected to operator abuse or negligence. To receive full value from the warranty, the operator must maintain the mower as instructed in this manual.

Some adjustments must be made periodically to properly maintain your mower. All adjustments in the "Service and Adjustments" section of this manual must be checked at least once each season.

TROUBLESHOOTING GUIDE *NOTE: Please see the engine manual for a full troubleshooting guide for any engine issues.*

Trouble	Cause	Correction
Engine does not start	Spark plug wire disconnected	Connect spark plug wire
	Defective or incorrectly gapped spark plug	See engine manual
	Fuel tank empty	Add fuel
	Dirty carburetor or fuel line	See engine manual
	Dirty air filter	See engine manual
	Carburetor out of adjustment	For carburetor adjustment, take the unit to an authorized service center
	Engine flooded	Wait several minutes before starting
	Stale gasoline	Drain old gasoline and add fresh gas
	Defective ignition	See engine manual
	Battery has no charge	Charge and replace if dead, damaged, or defective
Engine runs poorly	Bad spark plug	Replace spark plug
	Dirty air filter	See engine manual
	Carburetor out of adjustment	For carburetor adjustment, take the unit to an authorized service center
	Stale gasoline	Drain old gasoline and add fresh gas
	Engine cooling system clogged	Clean debris screen and engine cooling fins
Engine overheats	Engine cooling system clogged	Clean debris screen and engine cooling fins
	Carburetor out of adjustment	For carburetor adjustment, take the unit to an authorized service center
	Oil level is low	Add oil
Engine will not stop running	Ignition failed	Inspect and replace damaged parts
	Wire disconnected from ignition	Inspect, repair, or replace damaged parts
Poor Mower Performance	Cutter Blades Dull	Sharpen or replace mower blades
	Belt Tension Loose	Adjust Belt Tension
Mower Vibrates	Loose nuts or bolts	Check all bolts and nuts, including engine bolts
	Broken mower head / blades	Replace broken parts
Blades Won't Spin	Blade engagement handle in backward/up position	Lower handle to the forward/down position
	Broken drive belt	Replace belt
	Belt tension loose	Adjust belt tension

SLOPE GUIDE



Use this guide to determine slope angle.

DO NOT MOW ON A SLOPE GREATER THAN 20 DEGREES.

- A 10 degree slope is a hill that increases in height at approximately 1.76 feet (53.6 cm) in 10 feet (304.5 cm).
- A 20 degree slope is a hill that increases in height at approximately 3.64 feet (110.9 cm) in 10 feet (304.5 cm).

! WARNING

▲ USE EXTREME CARE AT ALL TIMES AND AVOID SUDDEN TURNS OR MANEUVERS. FOLLOW OTHER INSTRUCTIONS IN THIS MANUAL FOR SAFETY IN MOWING ON SLOPES. OPERATE A MOWER UP AND DOWN SLOPES, NEVER ACROSS SLOPES. USE EXTRA CARE WHEN OPERATING ON OR NEAR SLOPES AND OBSTRUCTIONS.