

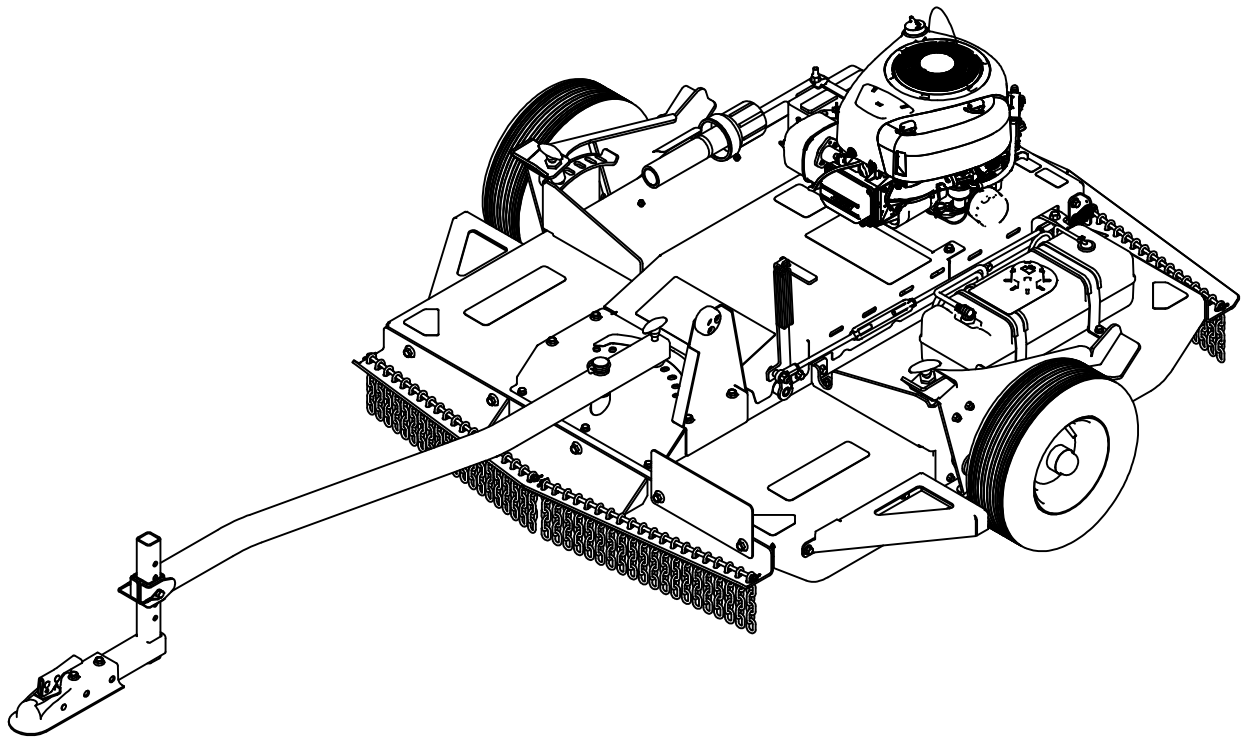
Groundbreaking Power Equipment

Illustrated Parts Breakdown
Illustration des pièces détachées

**Model Number,
Numéros de modèle :**
42795

ENGLISH
FRANÇAIS

S/N

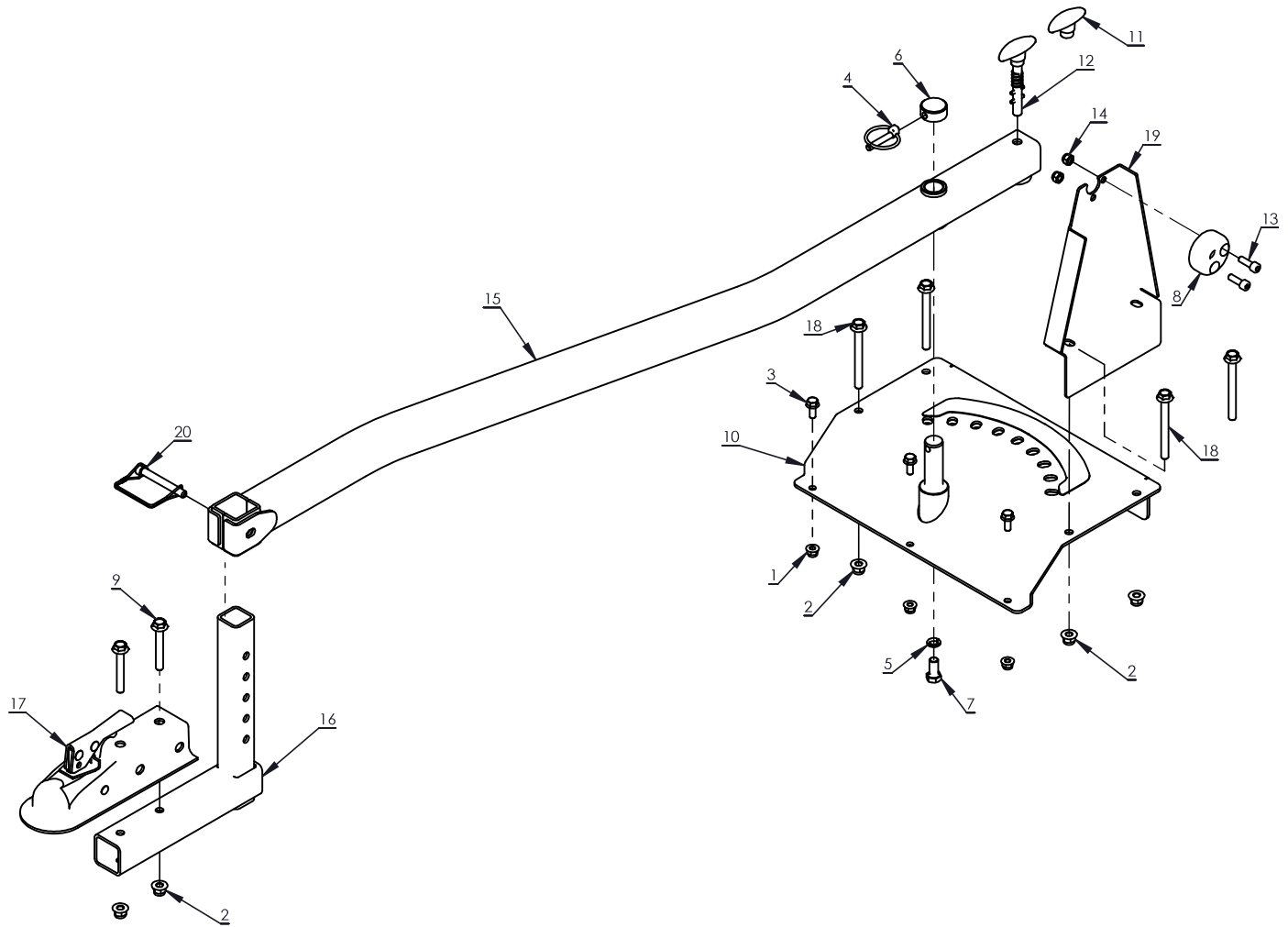


www.getearthquake.com - (800) 345-6007

© 2025 Ardisam, Inc.
All Rights Reserved
Tous droits réservés
P/N: 42910
SVC: 05849
ECN: 14861
REV 8: 2025-06-24

**THIS INSTRUCTION BOOKLET CONTAINS IMPORTANT SAFETY INFORMATION. PLEASE READ AND KEEP FOR FUTURE REFERENCE.
CE LIVRET D'INSTRUCTIONS CONTIENT DES INFORMATIONS IMPORTANTES SUR LA SÉCURITÉ. VEUILLEZ LE LIRE ET LE CONSERVER POUR TOUTE CONSULTATION EXTÉRIEURE.**

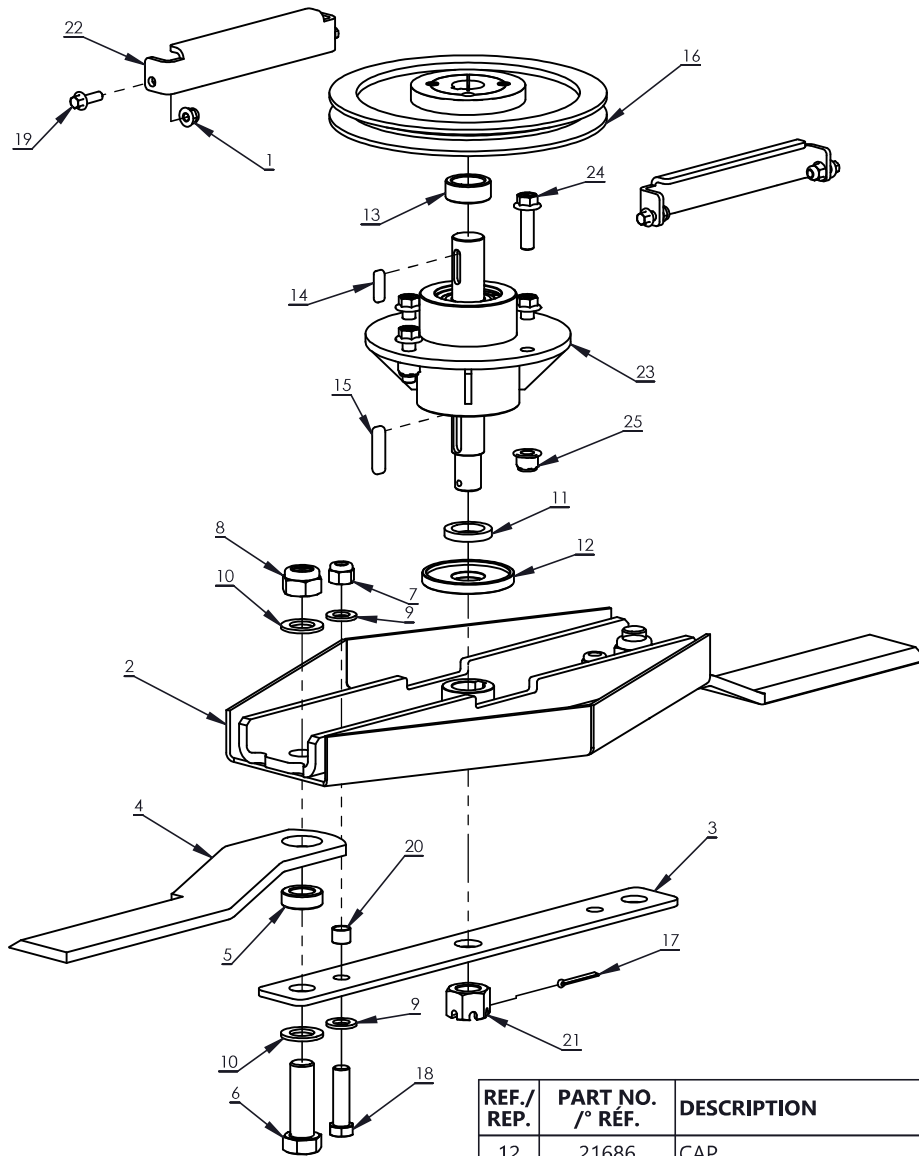
HITCH GROUP



REF./REP.	PART NO./° RÉF.	DESCRIPTION	QTY./QTÉ
1	16400	NUT M8	3
2	16903	NUT M10	6
3	18106	BOLT M8 X 20	3
4	18847	LINCH PIN	1
5	21615	WASHER M12	1
6	21647	CAP	1
7	21648	BOLT M12 X 25	1
8	23370	ROPE GUIDE PUCK	1

REF./REP.	PART NO./° RÉF.	DESCRIPTION	QTY./QTÉ
9	27517	BOLT M10 X 70	2
10	29238	TONGUE MOUNT	1
11	29311	HANDLE	1
12	29314	LATCH PIN WITH HANDLE	1
13	400022	BOLT M8 X 25	2
14	400023	NUT M8	2
15	41357	TONGUE	1
16	41364	HITCH MOUNT	1
17	41394	BALL COUPLER HITCH	1
18	41399	BOLT M10 X 100	4
19	41633	RELEASE TOWER	1
20	42894	CLEVIS PIN	1

BLADE GROUP

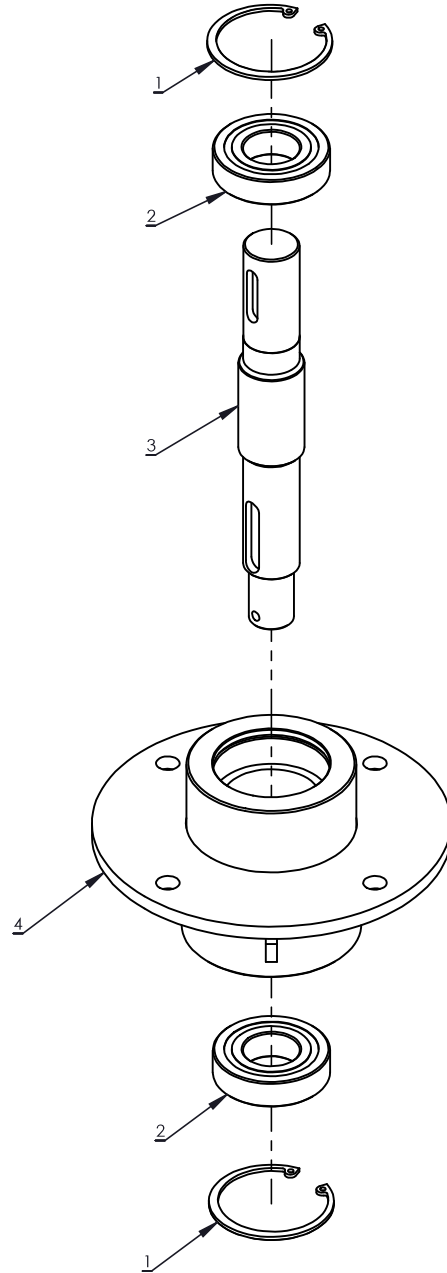


REF./REP.	PART NO./° RÉF.	DESCRIPTION	QTY./QTÉ
1	16400	NUT M8	4
2	21664	BLADE MOUNT	1
3	21665	BLADE STRAP	1
4	21666	BLADE	2
5	21667	BUSHING	2
6	21669	BOLT M22 X 70	2
7	21670	NUT M14	2
8	21671	NUT M22	2
9	21673	WASHER M14	4
10	21674	WASHER M22	4
11	21685	SPACER	1

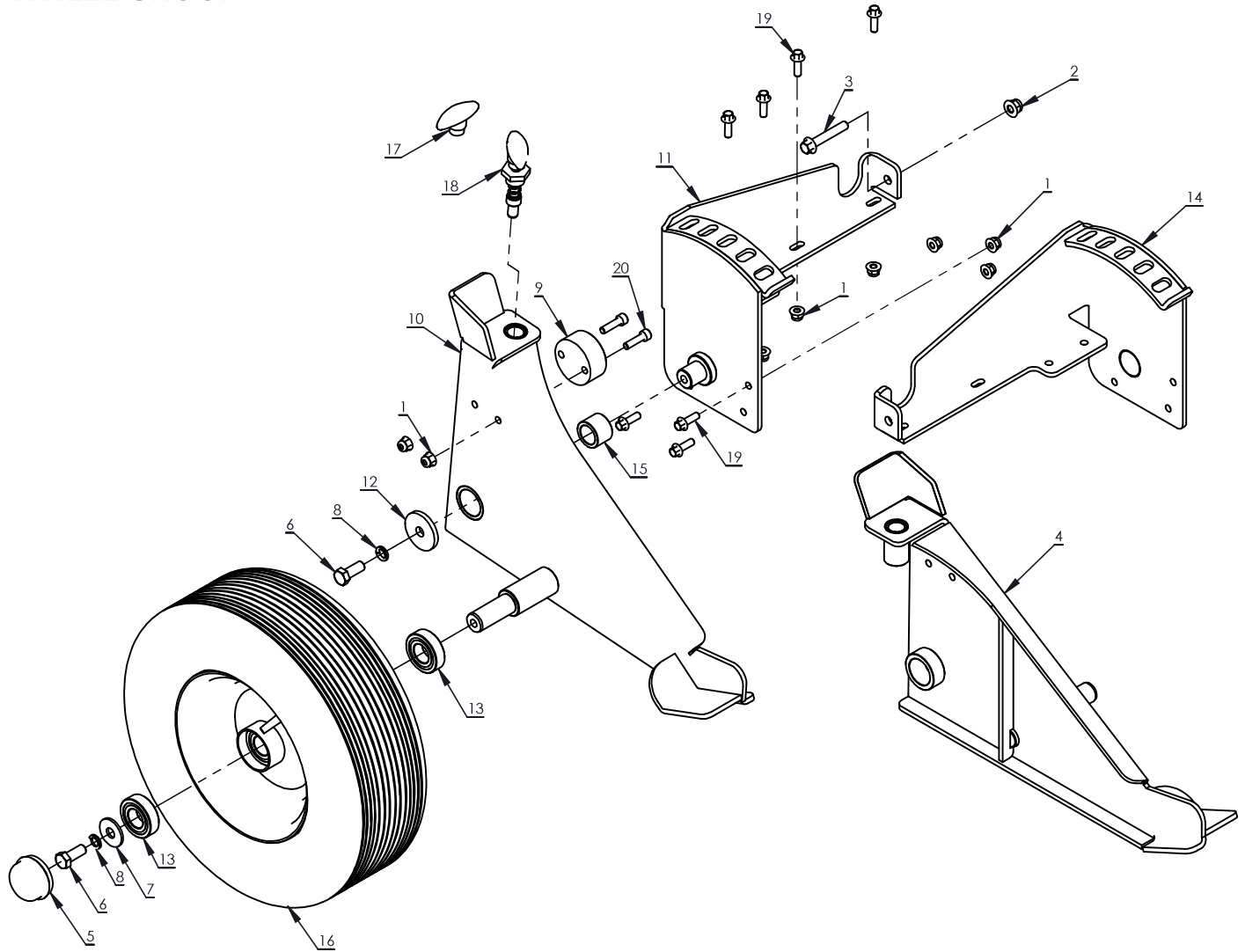
REF./REP.	PART NO./° RÉF.	DESCRIPTION	QTY./QTÉ
12	21686	CAP	1
13	21687	SPACER	1
14	21691	KEY	1
15	21692	KEY	1
16	21693	PULLEY	1
17	21715	COTTER PIN	1
18	33957	BOLT M14 X 55	2
19	35893	BOLT M8 X 25	4
20	38243	SPACER	2
21	38244	NUT M24	1
22	40736	BELT GUIDE	2
23	49549	COMPLETE BLADE SPINDLE ASSEMBLY	1
24	49600	BOLT M12 X 40	4
25	49601	NUT M12	4

SPINDLE GROUP

REF./REP.	PART NO./° RÉF.	DESCRIPTION	QTY./QTÉ
1	21684	SNAP RING	2
2	34973	BEARING	2
3	35869	SPINDLE SHAFT	1
4	49547	BLADE BEARING HOUSING	1



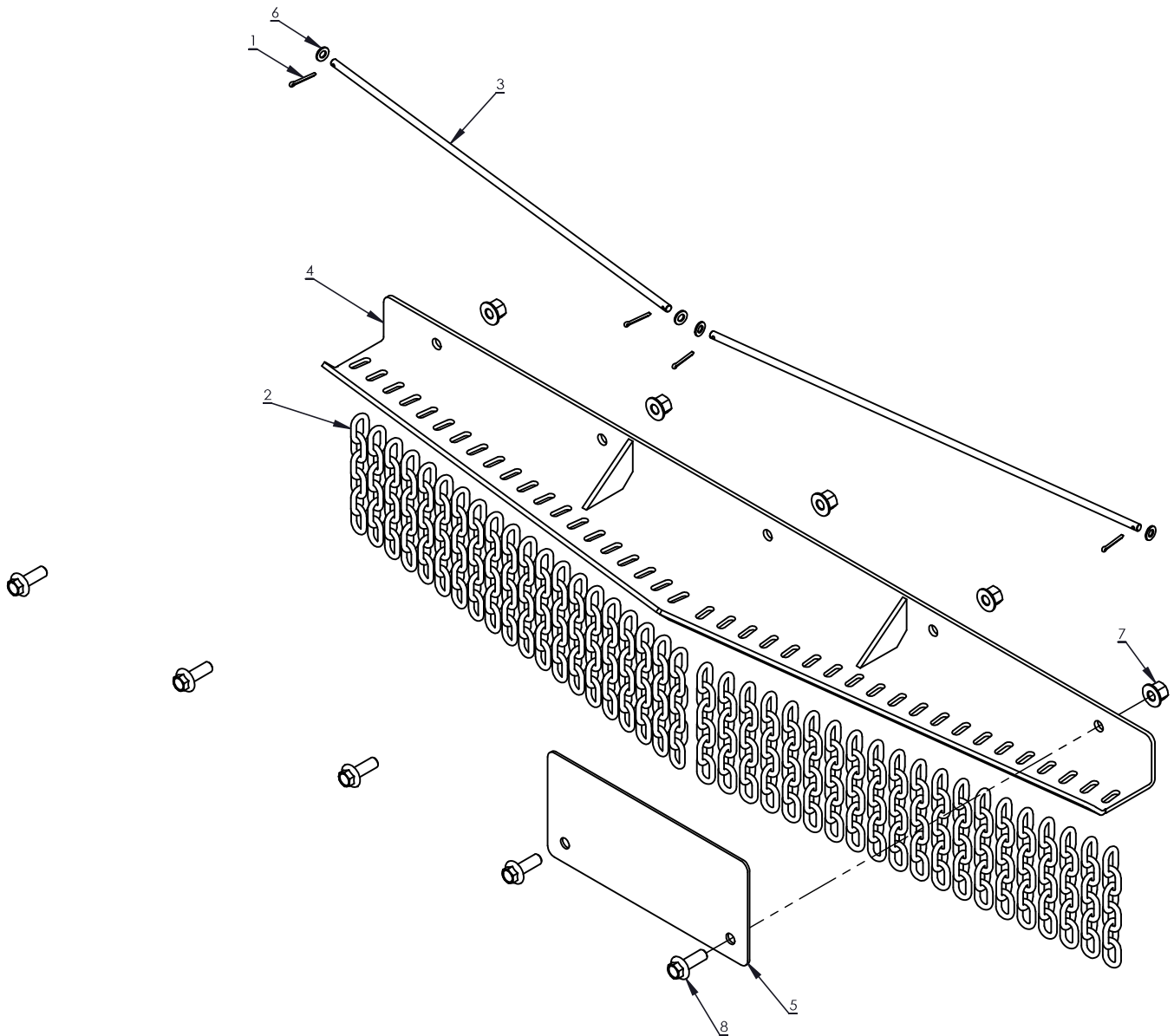
WHEEL GROUP



REF./REP.	PART NO./° RÉF.	DESCRIPTION	QTY./QTÉ
1	16400	NUT M8	9
2	16903	NUT M10	1
3	19927	BOLT M10 X 60	1
4	21602	WHEEL SPINDLE RH	1
5	21611	CAP	1
6	21613	BOLT M12 X 30	2
7	21614	WASHER M12	1
8	21615	WASHER M12	2
9	21616	SPACER PUCK	1
10	21623	WHEEL SPINDLE LH	1

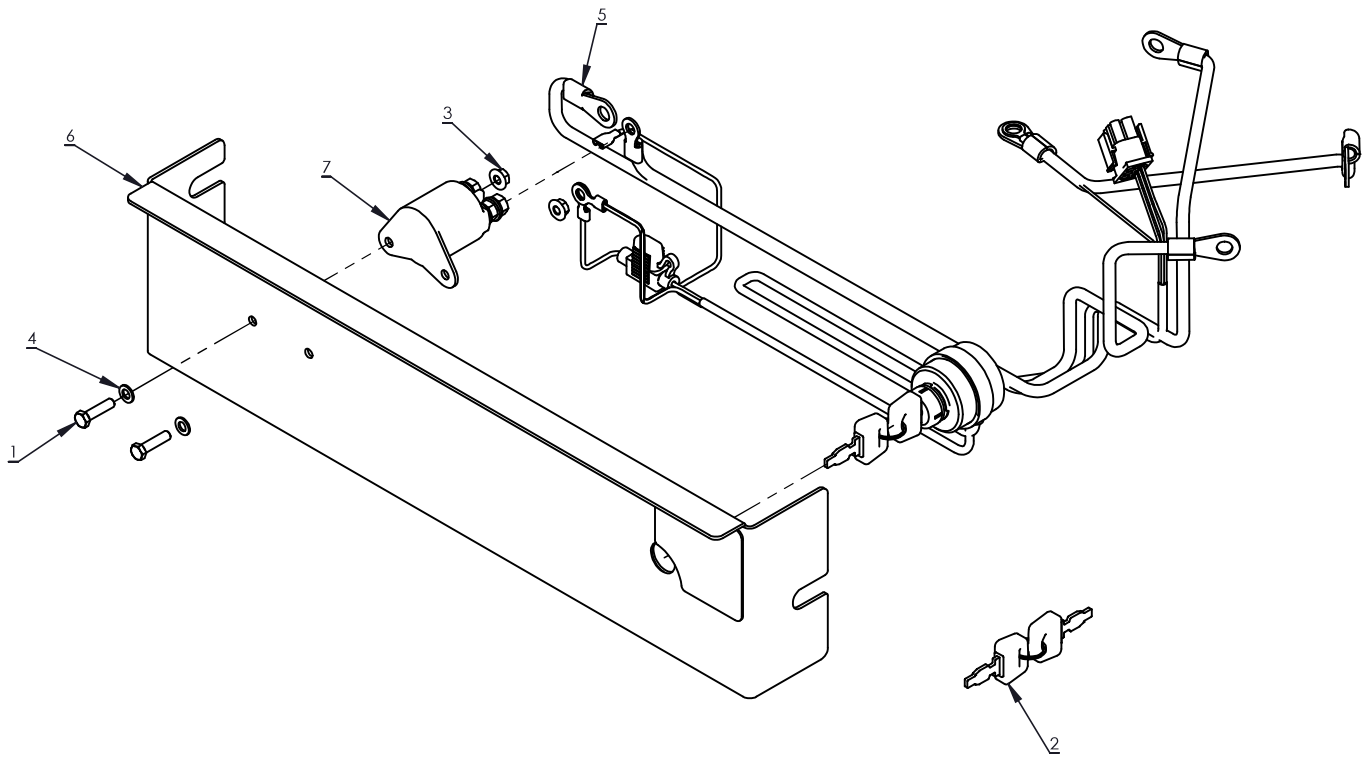
REF./REP.	PART NO./° RÉF.	DESCRIPTION	QTY./QTÉ
11	21635	SPINDLE MOUNT LH	1
12	21641	WASHER M12	1
13	22043	BEARING	2
14	23493	SPINDLE MOUNT RH	1
15	25457	BUSHING	1
16	29262	WHEEL WITH BEARINGS	1
17	29311	HANDLE	1
18	29313	LATCH WITH HANDLE	1
19	35893	BOLT M8 X 25	7
20	40527	BOLT M8 X 30	2

BRUSH GUARD GROUP



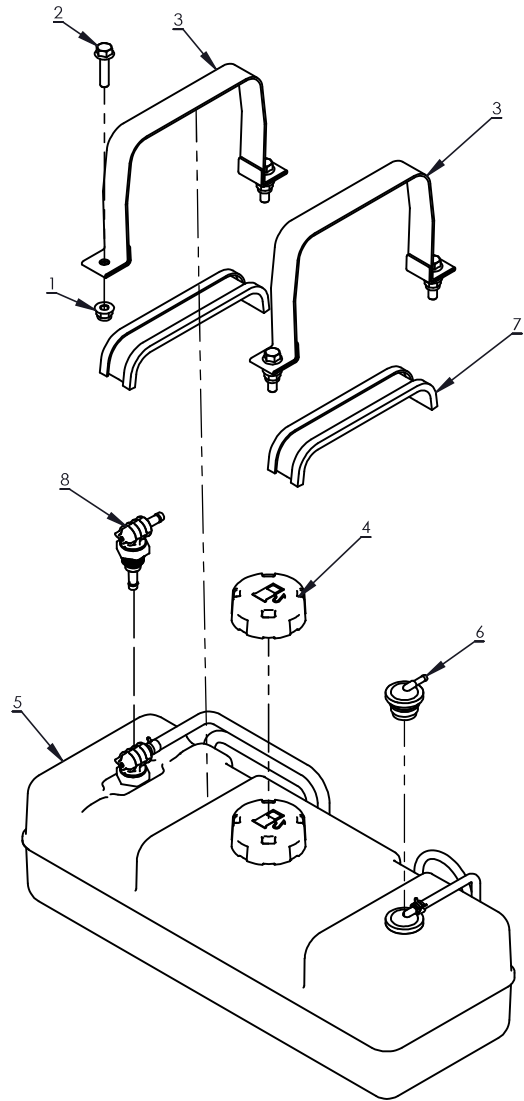
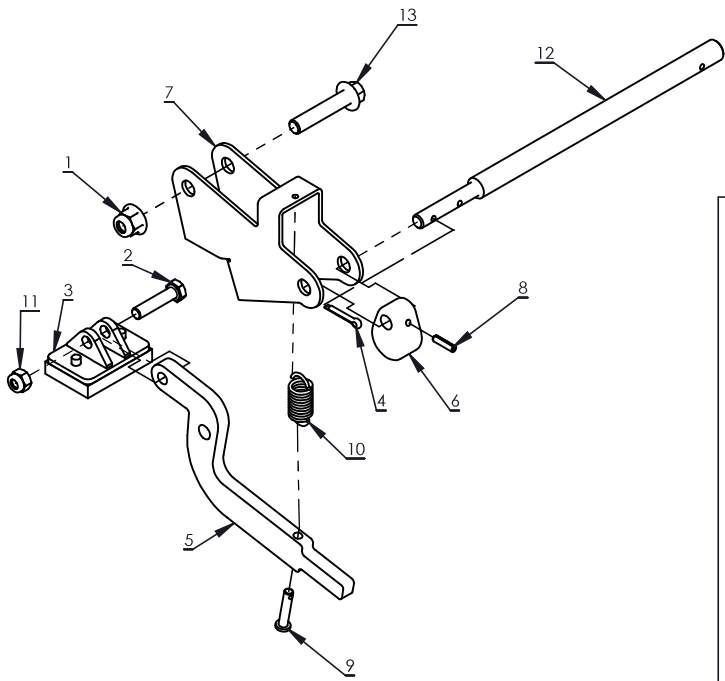
REF./ REP.	PART NO. /° RÉF.	DESCRIPTION	QTY. /QTÉ
1	21304	COTTER PIN	4
2	21354	CHAIN	40
3	21374	ROD	2
4	29254	BRUSH GUARD FRONT/REAR	1
5	29256	PLATE	1
6	400024	WASHER M8	4
7	41340	NUT M12	5
8	41341	BOLT M12 X 35	5

IGNITION GROUP



REF./ REP.	PART NO. /° RÉF.	DESCRIPTION	QTY. /QTÉ
1	22183	BOLT M5 X 20	2
2	28958	KEYS	1
3	3248	NUT M5	2
4	3308	WASHER M5	2
5	35872	WIRE HARNESS	1
6	41851	SWITCH PANEL	1
7	4660	SOLENOID	1

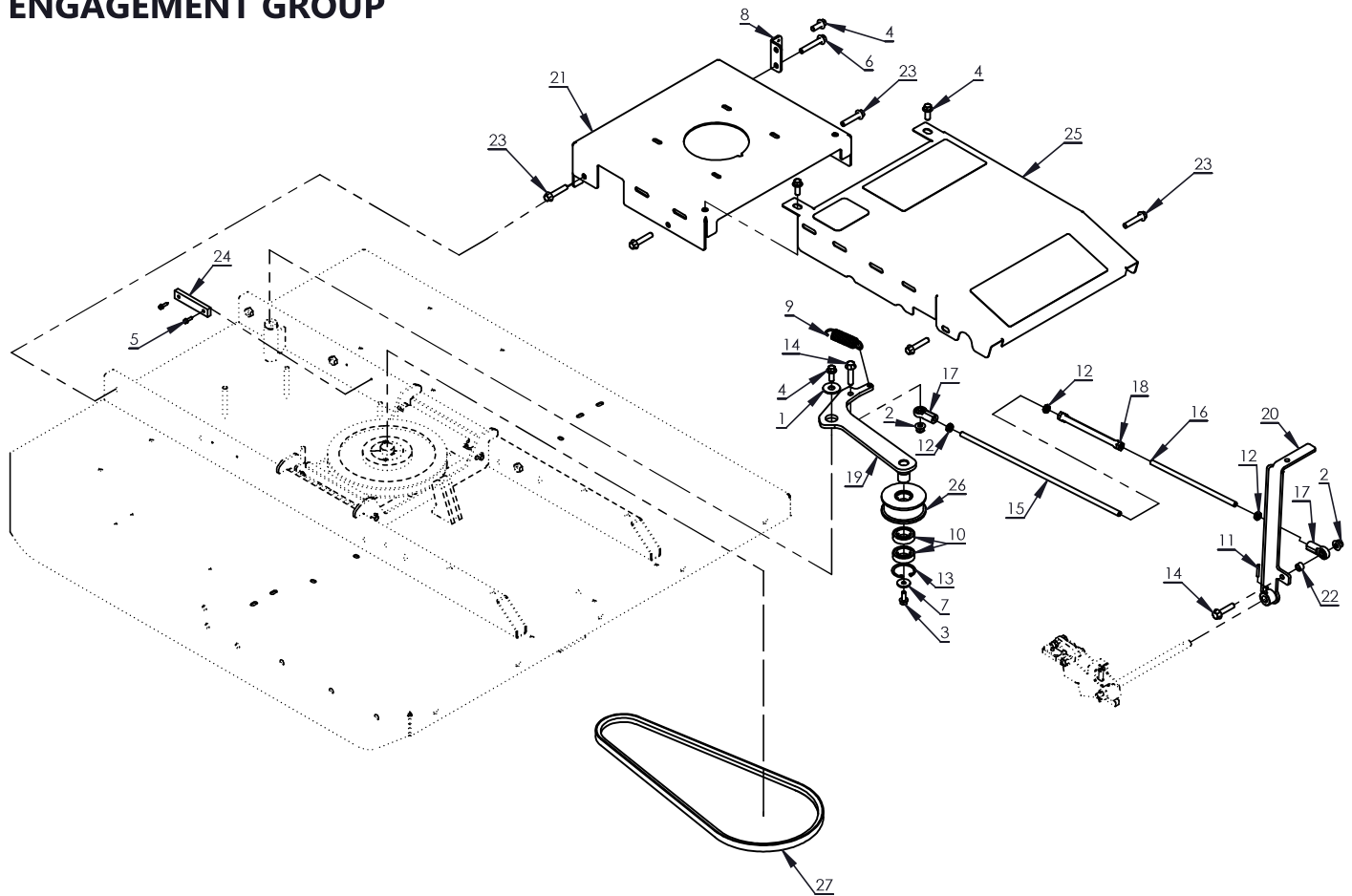
BRAKE AND FUEL TANK GROUP



REF./REP.	PART NO. /° RÉF.	DESCRIPTION	QTY./QTÉ
1	16903	NUT M10	1
2	20816	BOLT M8 X 35	1
3	21704	BRAKE PAD	1
4	22097	COTTER PIN 4MM	1
5	23410	BRAKE ARM	1
6	23412	CAM	1
7	23417	MOUNT BRACKET	1
8	23490	ROLL PIN 4MM	1
9	24115	PIN	1
10	34286	SPRING	1
11	400023	NUT M8	1
12	41328	BRAKE ROD	1
13	41338	BOLT M10 X 50	1

REF./REP.	PART NO. /° RÉF.	DESCRIPTION	QTY./QTÉ
1	16400	NUT M8	4
2	34902	BOLT M8 X 35	4
3	49218	FUEL TANK STRAP	2
4	49353	FUEL CAP	1
5	49354	COMPLETE FUEL TANK ASSEMBLY WITH CAP AND FITTINGS	1
6	49355	ROLLOVER VALVE	1
7	49356	STRAP CUSHION	2
8	51259	FUEL OUTLET ASSEMBLY	1

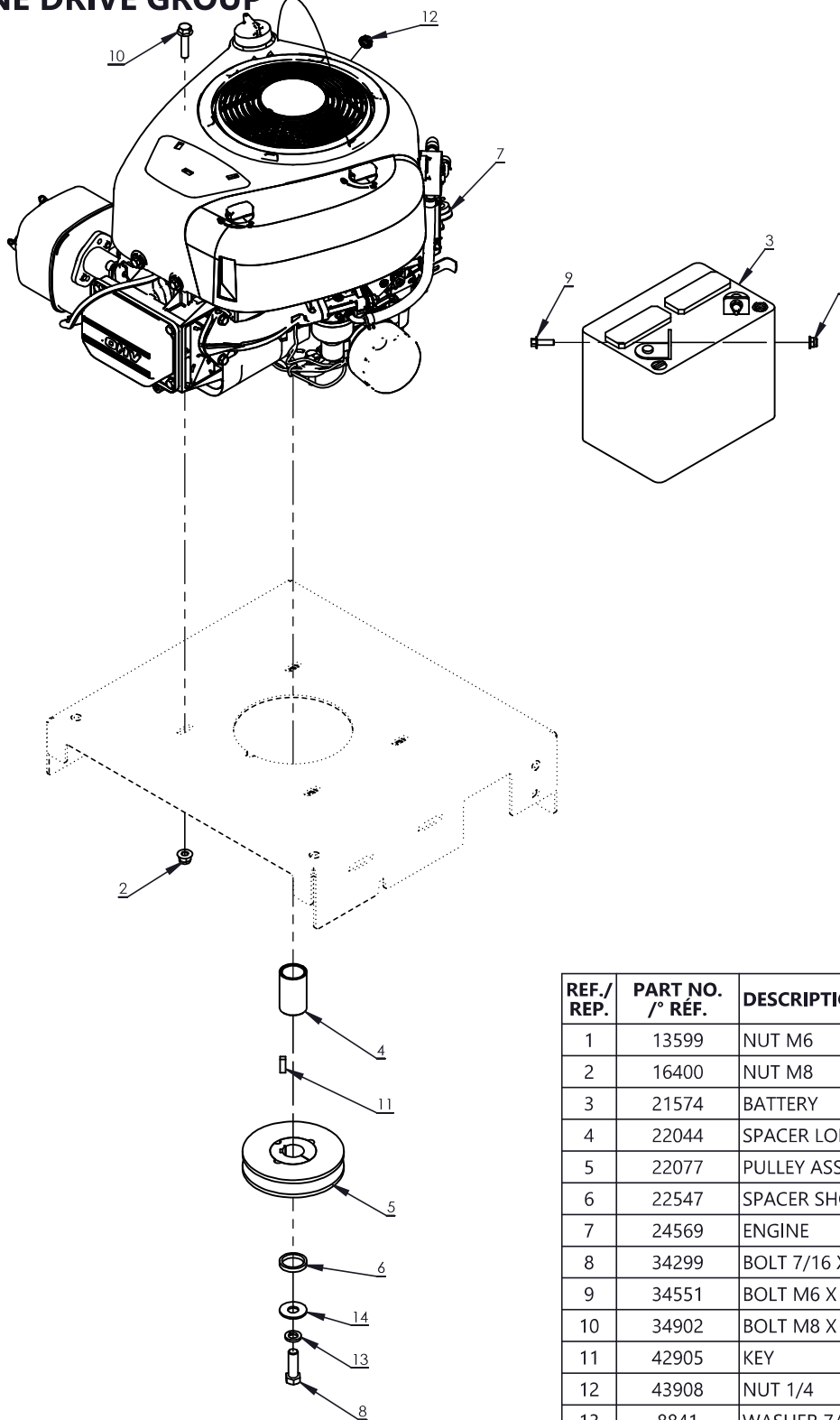
ENGAGEMENT GROUP



REF./REP.	PART NO./° RÉF.	DESCRIPTION	QTY./QTÉ
1	10811	WASHER M12	1
2	16903	NUT M10	2
3	18106	BOLT M8 X 20	1
4	19124	BOLT M10 X 25	4
5	19920	SCREW M5 X 20	2
6	19927	BOLT M10 X 60	1
7	21595	WASHER M9	1
8	21659	SPRING BRACKET	1
9	21660	SPRING	1
10	21702	BEARING	2
11	23489	ROLL PIN 4MM	1
12	29387	NUT M10	3
13	33985	SNAP RING	1
14	35182	BOLT M10 X 45	2

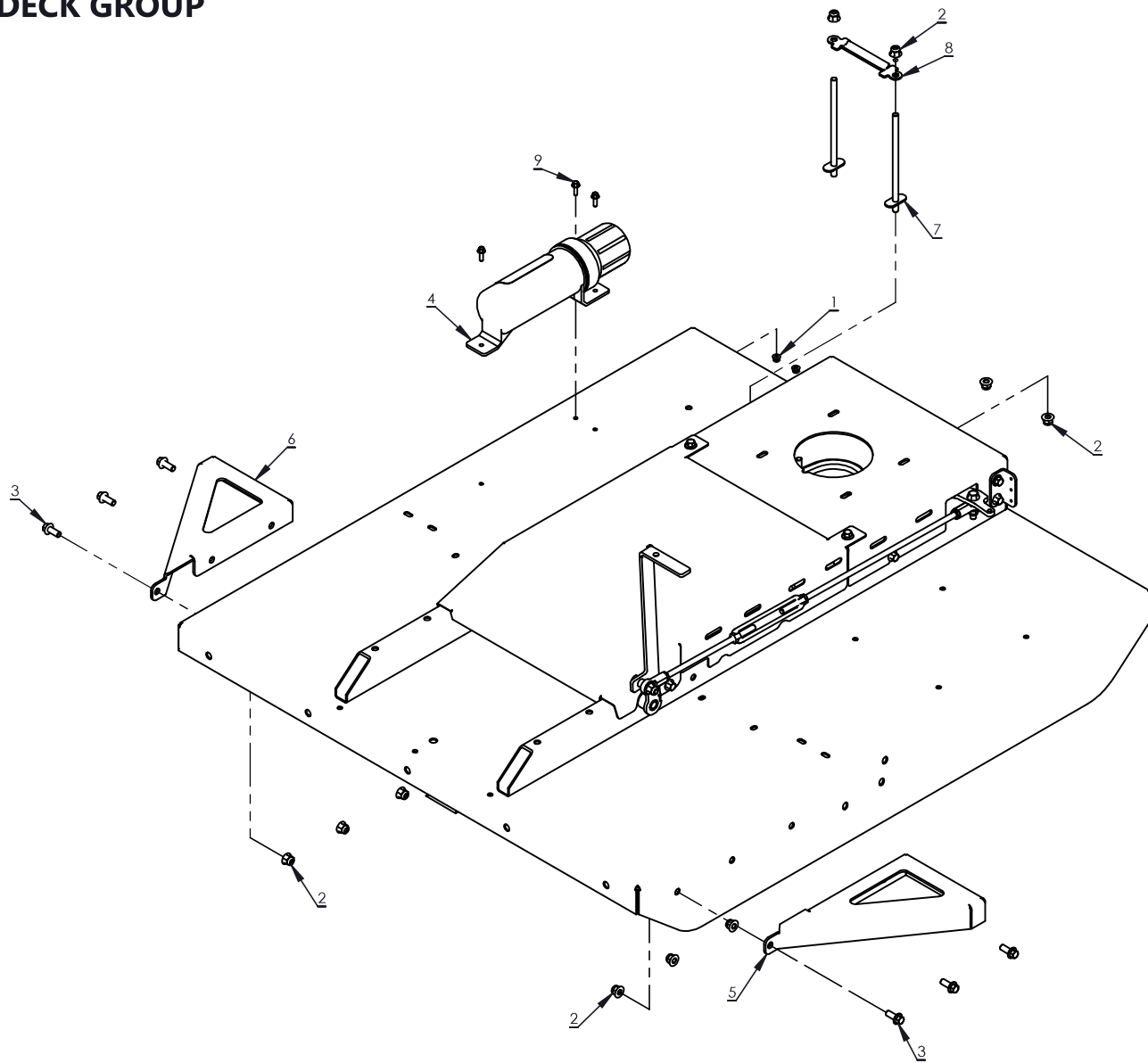
REF./REP.	PART NO./° RÉF.	DESCRIPTION	QTY./QTÉ
15	41313	ROD RH THREAD	1
16	41314	ROD LH THREAD	1
17	41316	ROD END	2
18	41317	TURNBUCKLE	1
19	41318	TENSIONER ARM	1
20	41321	ENGAGEMENT HANDLE	1
21	41326	ENGINE MOUNT	1
22	41329	SPACER	1
23	41338	BOLT M10 X 50	5
24	41367	PLASTIC STOP	1
25	41848	COVER PANEL	1
26	41849	PULLEY WITH BEARINGS	1
27	42942	V-BELT	1

ENGINE DRIVE GROUP



REF./ REP.	PART NO. /° RÉF.	DESCRIPTION	QTY. /QTÉ
1	13599	NUT M6	2
2	16400	NUT M8	4
3	21574	BATTERY	1
4	22044	SPACER LONG	1
5	22077	PULLEY ASSEMBLY	1
6	22547	SPACER SHORT	1
7	24569	ENGINE	1
8	34299	BOLT 7/16 X 1-3/8	1
9	34551	BOLT M6 X 20	2
10	34902	BOLT M8 X 35	4
11	42905	KEY	1
12	43908	NUT 1/4	1
13	8841	WASHER 7/16	1
14	WF716	WASHER 7/16	1

DECK GROUP



REF./REP.	PART NO./ ^o RÉF.	DESCRIPTION	QTY./QTÉ
1	13599	NUT M6	3
2	16903	NUT M10	10
3	19124	BOLT M10 X 25	6
4	21655	CANISTER	1
5	29221	WHEEL GUARD LH	1
6	29222	WHEEL GUARD RH	1
7	29420	BATTERY POST	2
8	34294	BATTERY STRAP	1
9	34551	BOLT M6 X 20	3