

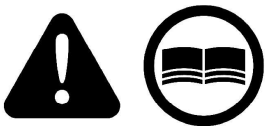
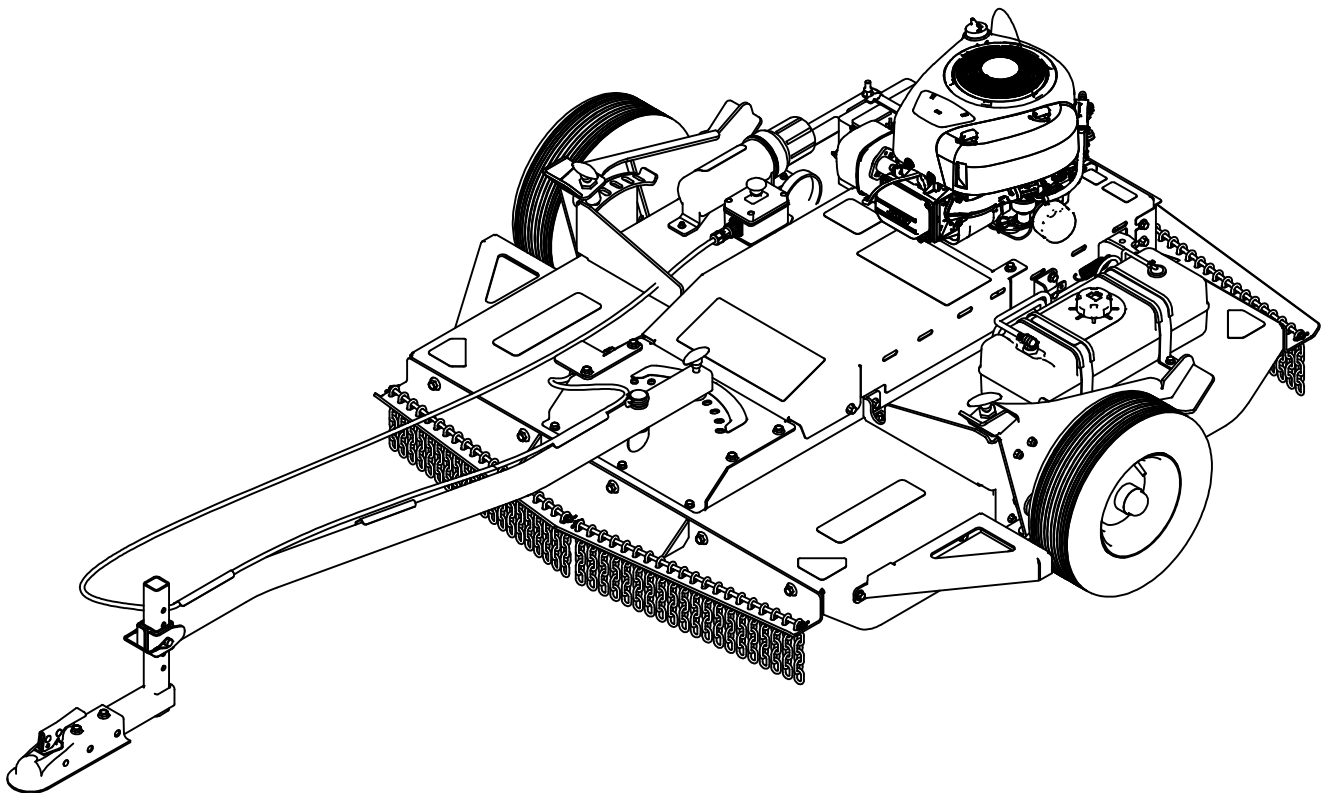
Groundbreaking Power Equipment

Illustrated Parts Breakdown
Illustration des pièces détachées

**Model Number,
Numéros de modèle :**
44751

ENGLISH
FRANÇAIS

S/N

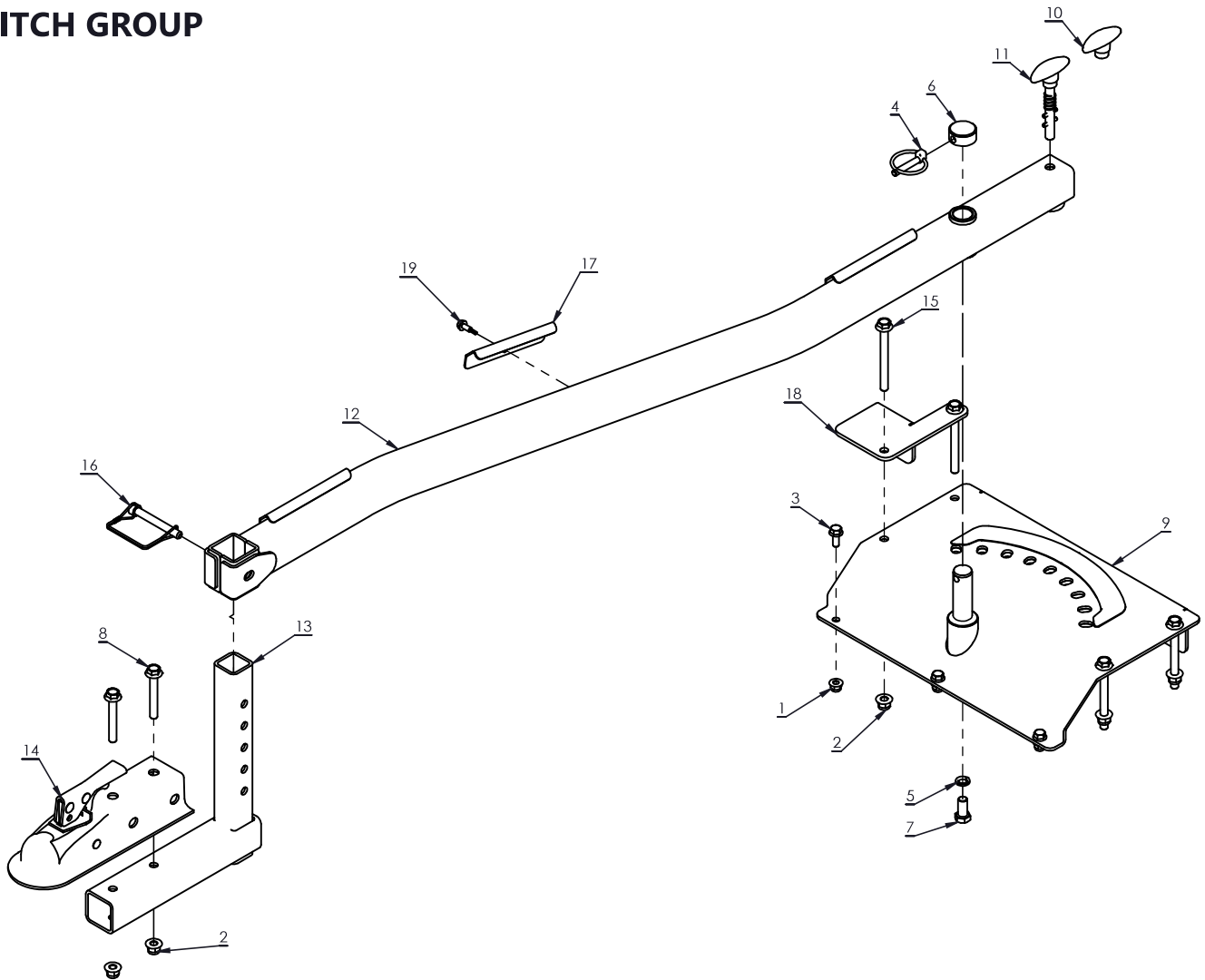


www.getearthquake.com - (800) 345-6007

© 2025 Ardisam, Inc.
All Rights Reserved
Tous droits réservés
P/N: 49538
SVC: 05852
ECN:14320 14320
REV 2: 2025-10-07

**THIS INSTRUCTION BOOKLET CONTAINS IMPORTANT SAFETY INFORMATION. PLEASE READ AND KEEP FOR FUTURE REFERENCE.
CE LIVRET D'INSTRUCTIONS CONTIENT DES INFORMATIONS IMPORTANTES SUR LA SÉCURITÉ. VEUILLEZ LE LIRE ET LE CONSERVER POUR TOUTE CONSULTATION EXTÉRIEURE.**

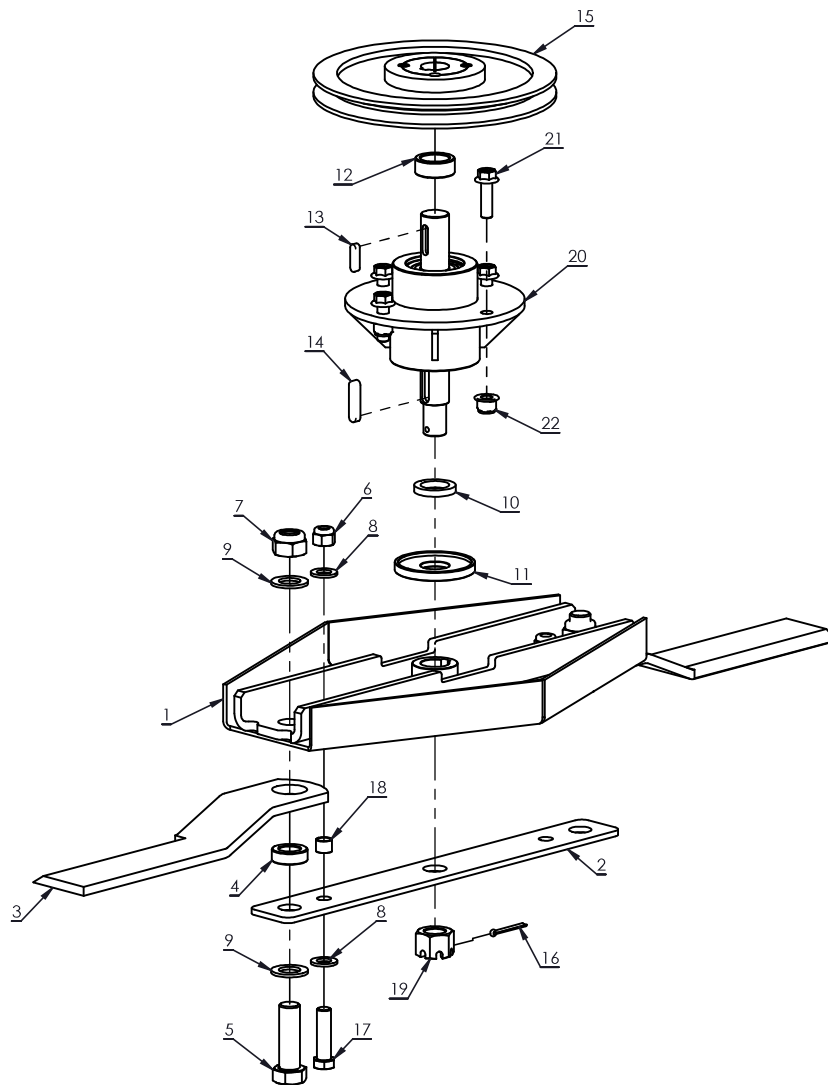
HITCH GROUP



REF./REP.	PART NO./° RÉF.	DESCRIPTION	QTY./QTÉ
1	16400	NUT M8	3
2	16903	NUT M10	6
3	18106	BOLT M8 X 20	3
4	18847	LINCH PIN	1
5	21615	WASHER M12	1
6	21647	CAP	1
7	21648	BOLT M12 X 25	1
8	27517	BOLT M10 X 70	2
9	29238	TONGUE MOUNT	1

REF./REP.	PART NO./° RÉF.	DESCRIPTION	QTY./QTÉ
10	29311	HANDLE	1
11	29314	LATCH PIN WITH HANDLE	1
12	41357	TONGUE	1
13	41364	HITCH MOUNT	1
14	41394	BALL COUPLER HITCH	1
15	41399	BOLT M10 X 100	4
16	42894	CLEVIS PIN	1
17	49307	CABLE HOLD DOWN	3
18	49309	HARNES MOUNT	1
19	49311	SCREW M6.3 X 25	3

BLADE GROUP

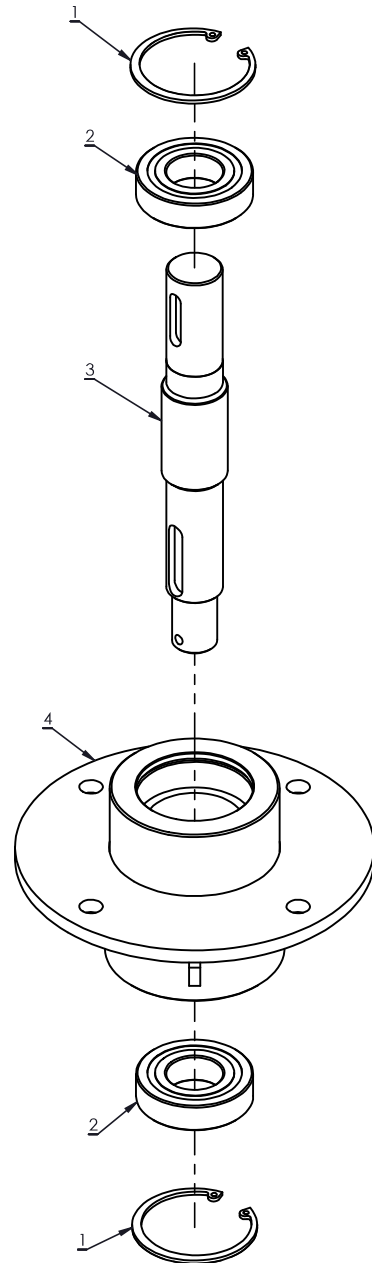


REF./REP.	PART NO./° RÉF.	DESCRIPTION	QTY./QTE
1	21664	BLADE MOUNT	1
2	21665	BLADE STRAP	1
3	21666	BLADE	2
4	21667	BUSHING	2
5	21669	BOLT M22 X 70	2
6	21670	NUT M14	2
7	21671	NUT M22	2
8	21673	WASHER M14	4
9	21674	WASHER M22	4
10	21685	SPACER	1
11	21686	CAP	1

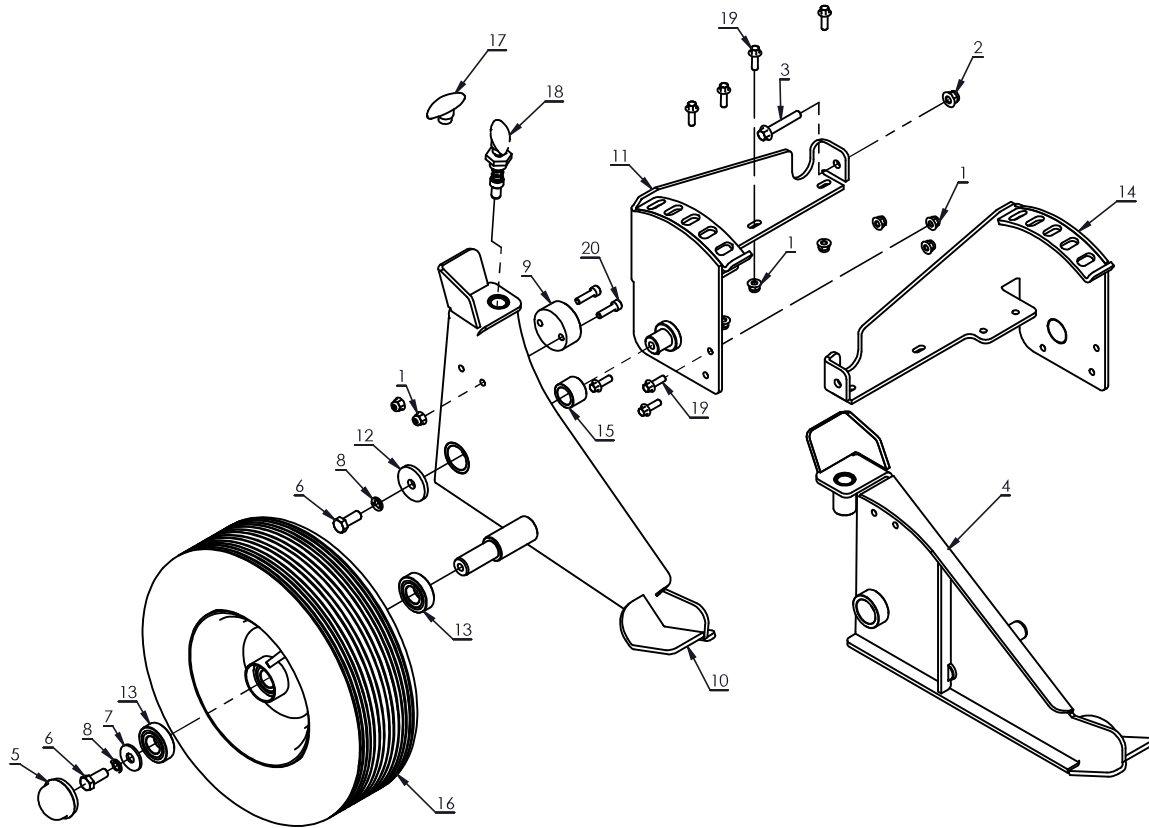
REF./REP.	PART NO./° RÉF.	DESCRIPTION	QTY./QTE
12	21687	SPACER	1
13	21691	KEY	1
14	21692	KEY	1
15	21693	PULLEY	1
16	21715	COTTER PIN	1
17	33957	BOLT M14 X 55	2
18	38243	SPACER	2
19	38244	NUT M24	1
20	49549	COMPLETE BLADE SPINDLE ASSEMBLY	1
21	49600	BOLT M12 X 40	4
22	49601	NUT M12	4

SPINDLE GROUP

REF./ REP.	PART NO. /° RÉF.	DESCRIPTION	QTY. /QTÉ
1	21684	SNAP RING	2
2	34973	BEARING	2
3	35869	SPINDLE SHAFT	1
4	49547	BLADE BEARING HOUSING	1



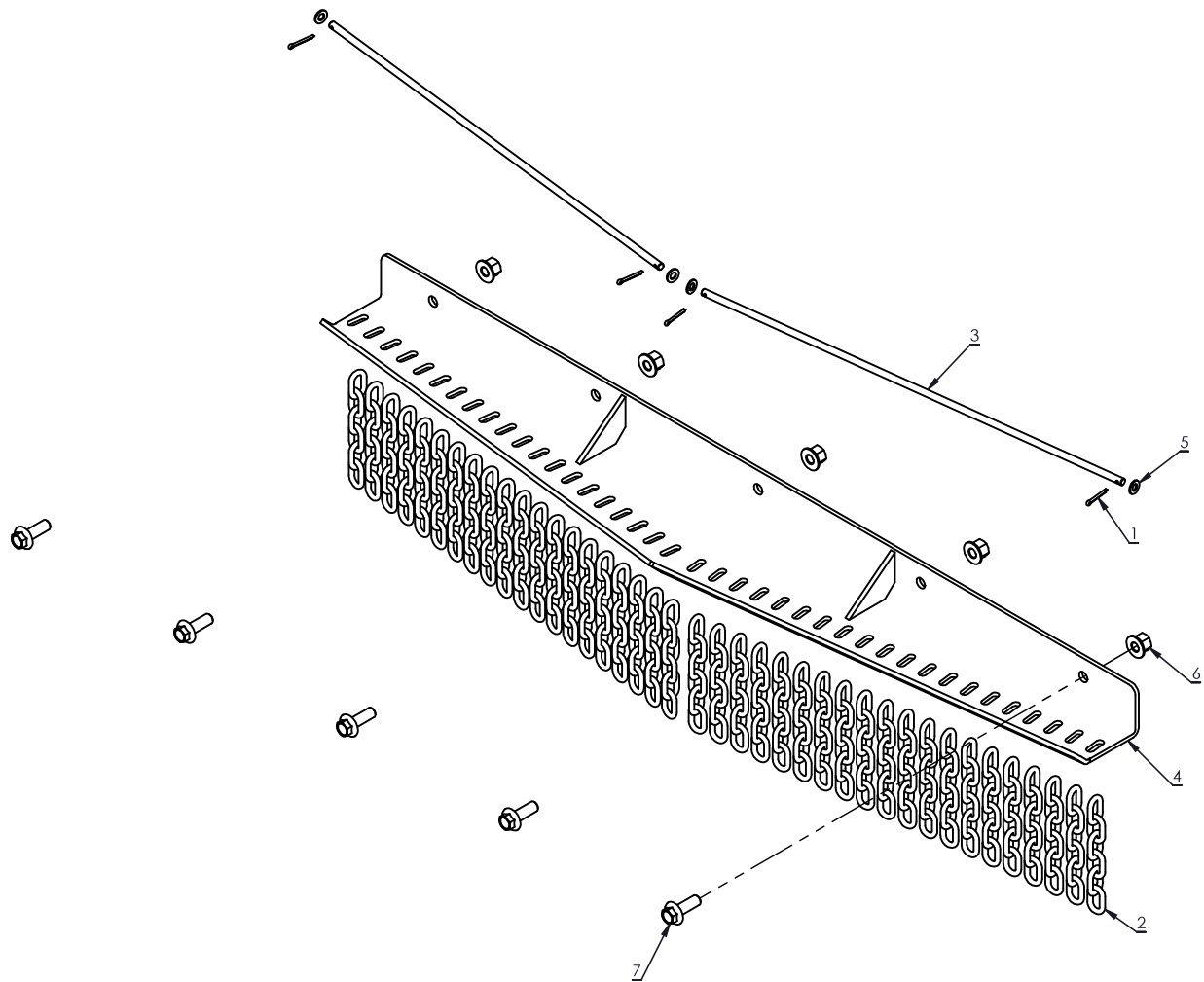
WHEEL GROUP



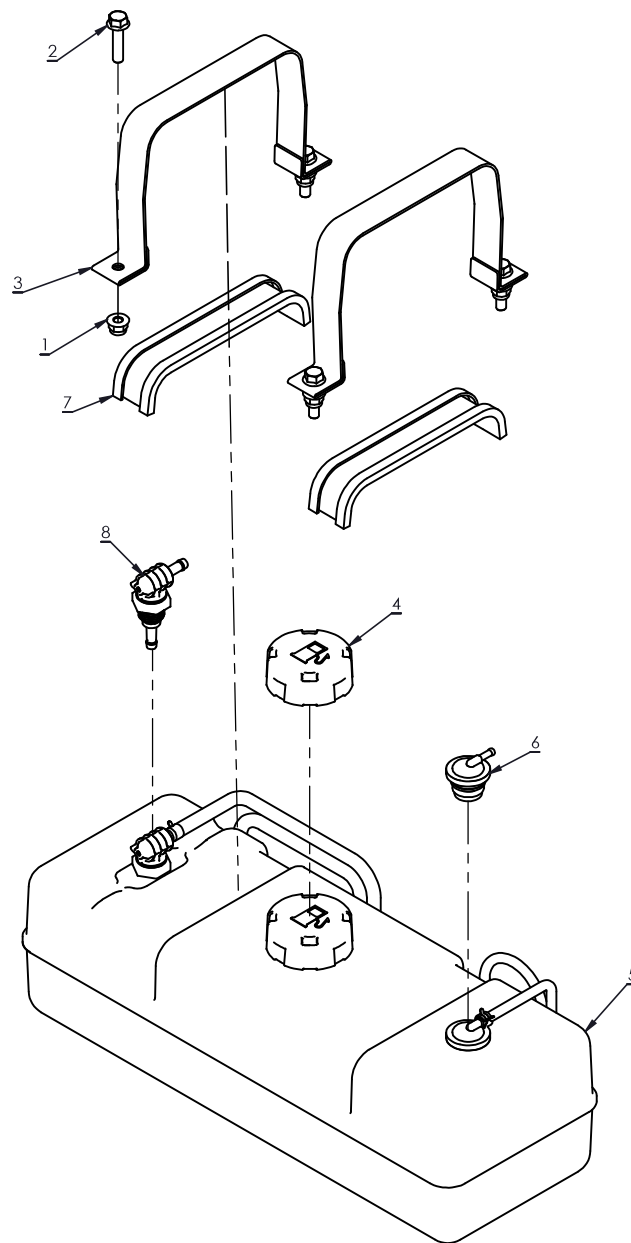
REF./REP.	PART NO. /° RÉF.	DESCRIPTION	QTY./QTÉ
1	16400	NUT M8	9
2	16903	NUT M10	1
3	19927	BOLT M10 X 60	1
4	21602	WHEEL SPINDLE RH	1
5	21611	CAP	1
6	21613	BOLT M12 X 30	2
7	21614	WASHER M12	1
8	21615	WASHER M12	2
9	21616	SPACER PUCK	1
10	21623	WHEEL SPINDLE LH	1

REF./REP.	PART NO. /° RÉF.	DESCRIPTION	QTY./QTÉ
11	21635	SPINDLE MOUNT LH	1
12	21641	WASHER M12	1
13	22043	BEARING	2
14	23493	SPINDLE MOUNT RH	1
15	25457	BUSHING	1
16	29262	WHEEL WITH BEARINGS	1
17	29311	HANDLE	1
18	29313	LATCH WITH HANDLE	1
19	35893	BOLT M8 X 25	7
20	40527	BOLT M8 X 30	2

BRUSH GUARD GROUP

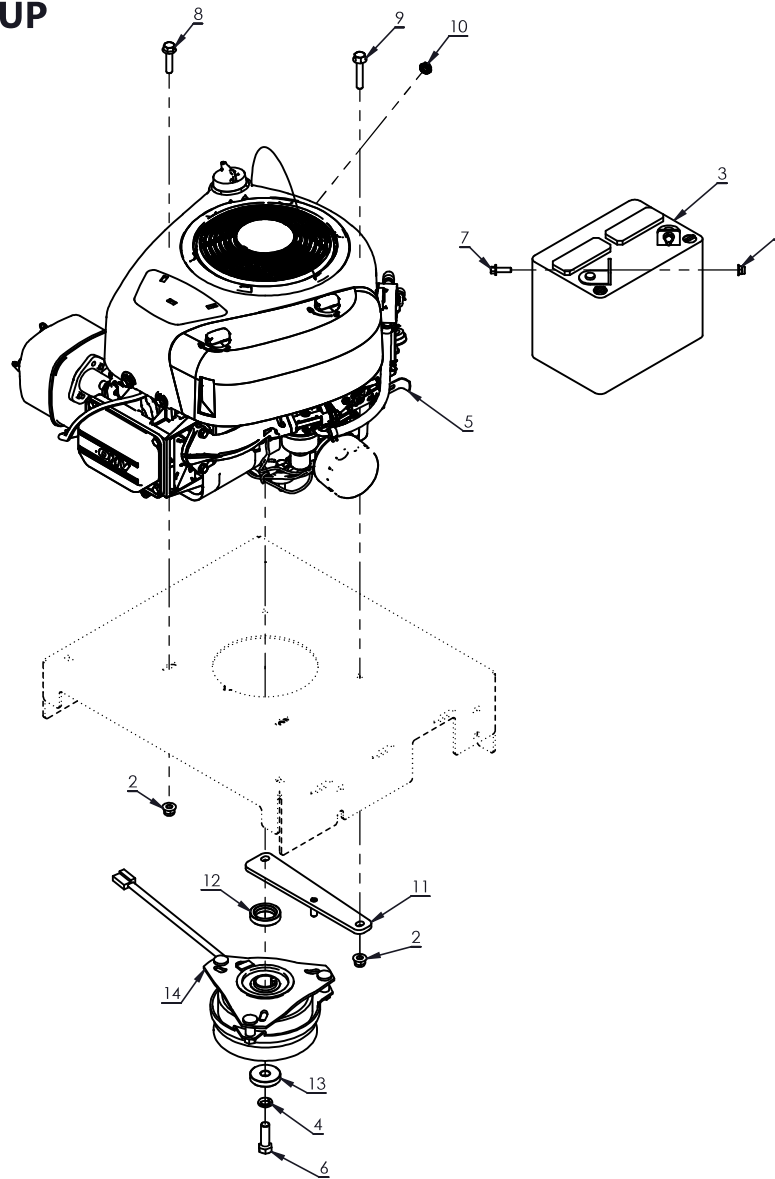


REF./ REP.	PART NO. /° RÉF.	DESCRIPTION	QTY. /QTÉ
1	21304	COTTER PIN	4
2	21354	CHAIN	40
3	21374	ROD	2
4	29254	BRUSH GUARD FRONT/REAR	1
5	400024	WASHER M8	4
6	41340	NUT M12	5
7	41341	BOLT M12 X 35	5

FUEL TANK GROUP


REF./ REP.	PART NO. /° RÉF.	DESCRIPTION	QTY. /QTÉ
1	16400	NUT M8	4
2	34902	BOLT M8 X 35	4
3	49218	FUEL TANK STRAP	2
4	49353	FUEL CAP	1
5	49354	COMPLETE FUEL TANK ASSEMBLY WITH CAP AND FITTINGS	1
6	49355	ROLLOVER VALVE	1
7	49356	STRAP CUSHION	2
8	51259	FUEL OUTLET ASSEMBLY	1

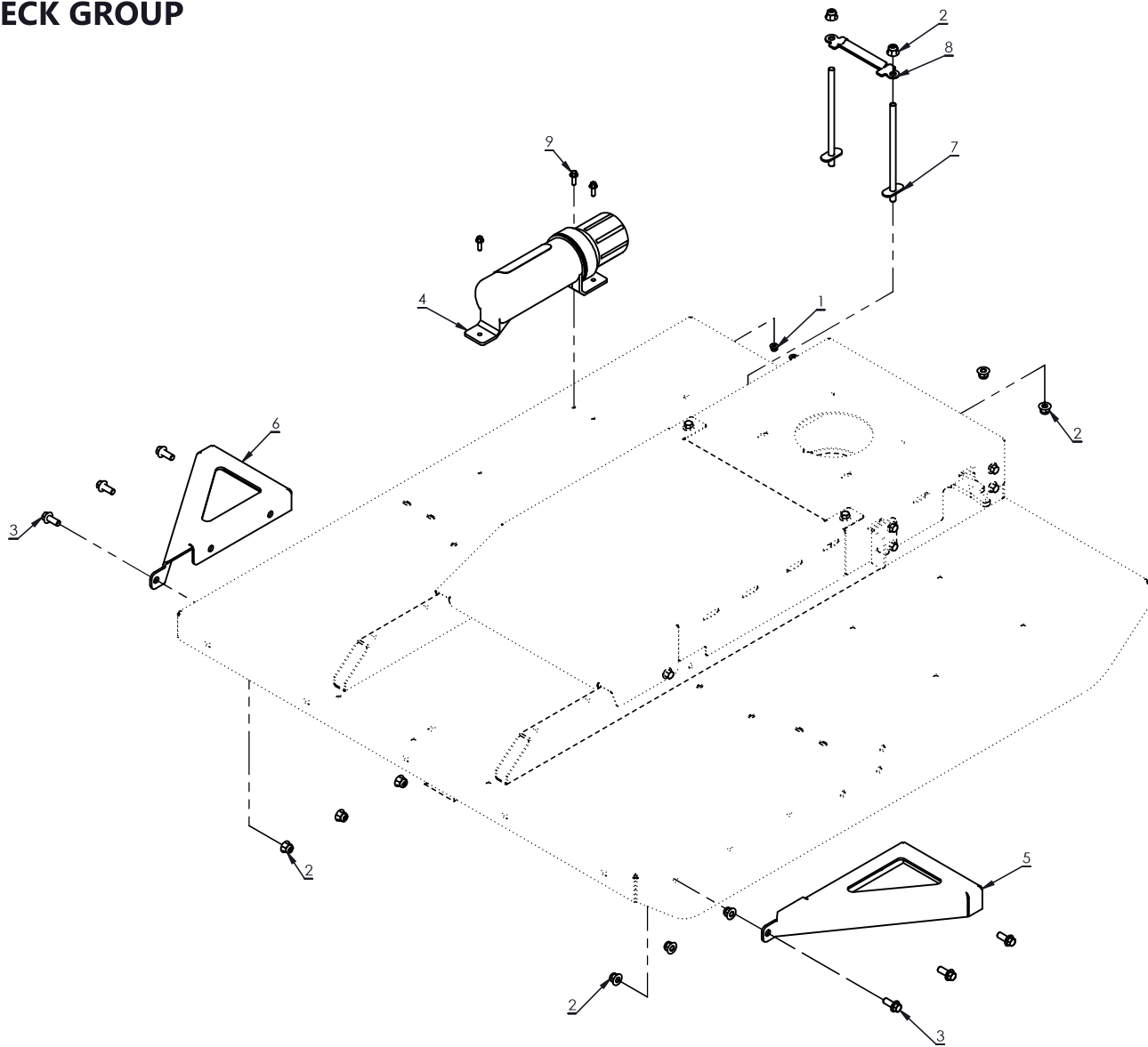
ENGINE DRIVE GROUP



REF./REP.	PART NO./° RÉF.	DESCRIPTION	QTY./QTÉ
1	13599	NUT M6	2
2	16400	NUT M8	4
3	21574	BATTERY	1
4	21615	WASHER M12	1
5	24569	ENGINE	1
6	34299	BOLT 7/16 X 1-3/8	1
7	34551	BOLT M6 X 20	2

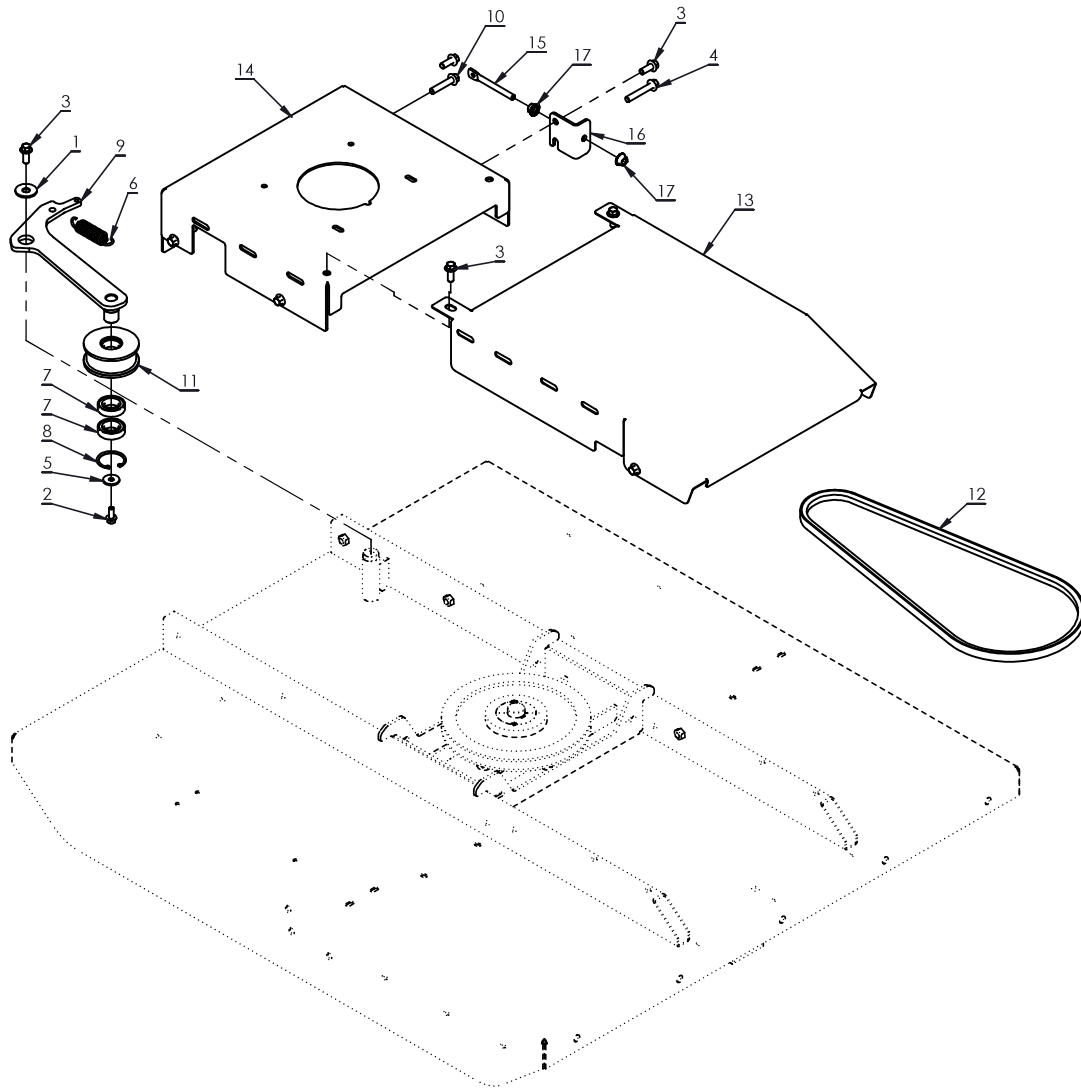
REF./REP.	PART NO./° RÉF.	DESCRIPTION	QTY./QTÉ
8	34902	BOLT M8 X 35	2
9	35226	BOLT M8 X 45	2
10	43908	NUT 1/4	1
11	44880	CLUTCH TORQUE STOP PLATE	1
12	47758	CLUTCH SPACER UPPER	1
13	47759	CLUTCH WASHER LOWER	1
14	49325	CLUTCH	1

DECK GROUP



REF./REP.	PART NO./° RÉF.	DESCRIPTION	QTY./QTE
1	13599	NUT M6	3
2	16903	NUT M10	10
3	19124	BOLT M10 X 25	6
4	21655	CANISTER	1
5	29221	WHEEL GUARD LH	1
6	29222	WHEEL GUARD RH	1
7	29420	BATTERY POST	2
8	34294	BATTERY STRAP	1
9	34551	BOLT M6 X 20	3

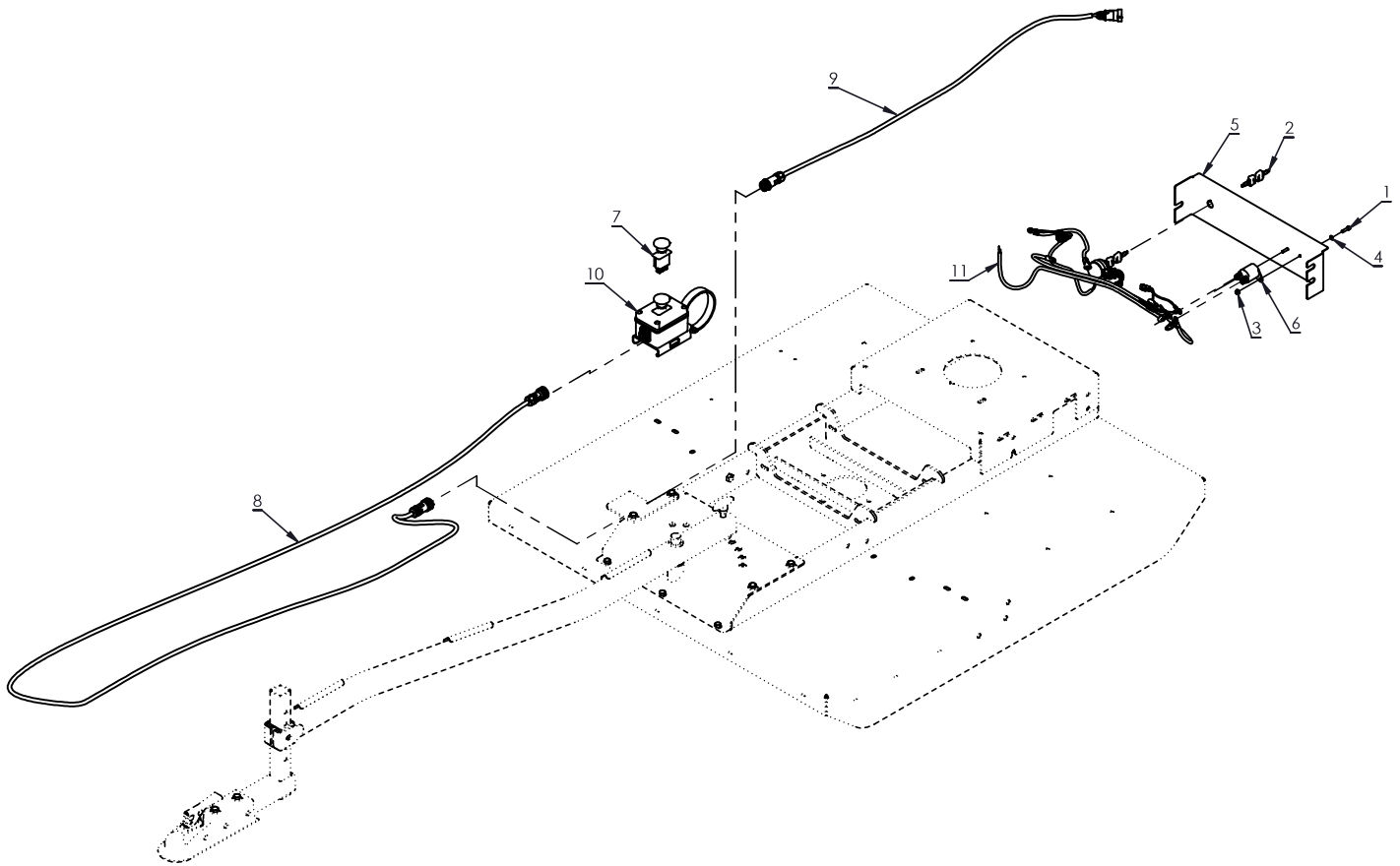
BELT GROUP



REF./REP.	PART NO./° RÉF.	DESCRIPTION	QTY./QTÉ
1	10811	WASHER M12	1
2	18106	BOLT M8 X 20	1
3	19124	BOLT M10 X 25	5
4	19927	BOLT M10 X 60	1
5	21595	WASHER M9	1
6	21660	SPRING	1
7	21702	BEARING	2
8	33985	SNAP RING	1

REF./REP.	PART NO./° RÉF.	DESCRIPTION	QTY./QTÉ
9	41318	TENSIONER ARM	1
10	41338	BOLT M10 X 50	5
11	41849	PULLEY WITH BEARINGS	1
12	42942	V-BELT	1
13	45670	BELT COVER	1
14	45672	ENGINE MOUNT	1
15	45673	TENSIONER BOLT	1
16	49370	SPRING BRACKET	1
17	49425	NUT M10X1.5 HSF	2

ELECTRICAL GROUP



REF./ REP.	PART NO. /° RÉF.	DESCRIPTION	QTY. /QTÉ
1	22183	BOLT M5 X 20	2
2	28958	KEYS	1
3	3248	NUT M5	2
4	3308	WASHER M5	2
5	41851	SWITCH PANEL	1
6	4660	SOLENOID	1
7	49324	CLUTCH SWITCH	1
8	51183	HARNES FROM MOWER TO CONTROL BOX	1
9	51185	MOWER DECK HARNES	1
10	51186	CONTROL BOX COMPLETE ASSEMBLY	1
11	51658	KEY SWITCH AND CABLES	1