

37804 HILLER FURROWER KIT (OPTIONAL ACCESSORY)

Thank you for purchasing a hiller furrower attachment for your rototiller. This tool is excellent for creating planting furrows in garden beds for seeds and tubers such as potatoes and yams, and for creating hilled rows for raised seed beds. The hiller furrower tool is designed to be used on a self-propelled rear-tine tiller and works best on tillers with tines that can rotate in a forward direction, commonly known as Standard Rotating Tine (SRT) tillers. This hiller furrower attachment is designed to work with the Earthquake Pioneer Dual-Direction Rear-Tine Tiller.

INSTALLATION

1. Attach the bracket (1) to the shovel (4) using two M10 x 40mm carriage bolts (10) and M10 locknuts (11).

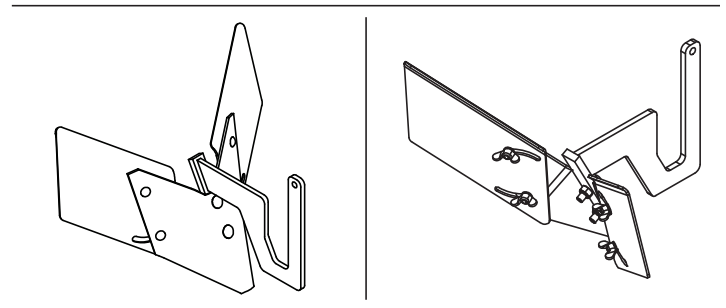
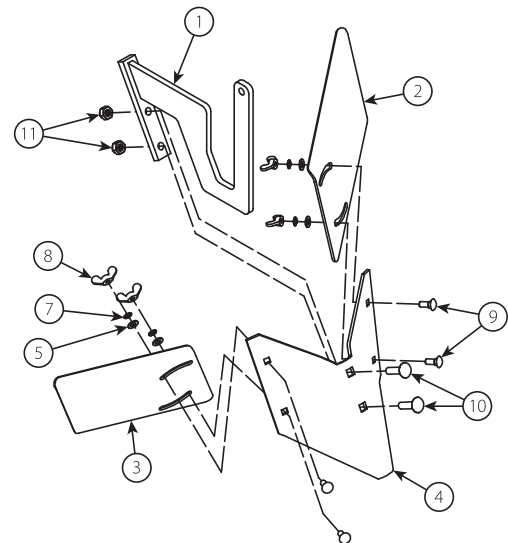
NOTE: The M10 carriage bolts (10) are installed from the front of the shovel (4), while the bracket (1) is installed from the back of the shovel (4).

2. Align the curved slots of the left wing (2) with the square holes on the left side of the shovel (4). The small bend of the left wing (2) should be facing up. Using two M8 x 20mm carriage bolts (9), flat washers (5), external tooth washers (7), and wing nuts (8), secure the left wing (2) to the shovel (4). Repeat step to install the right wing (3).

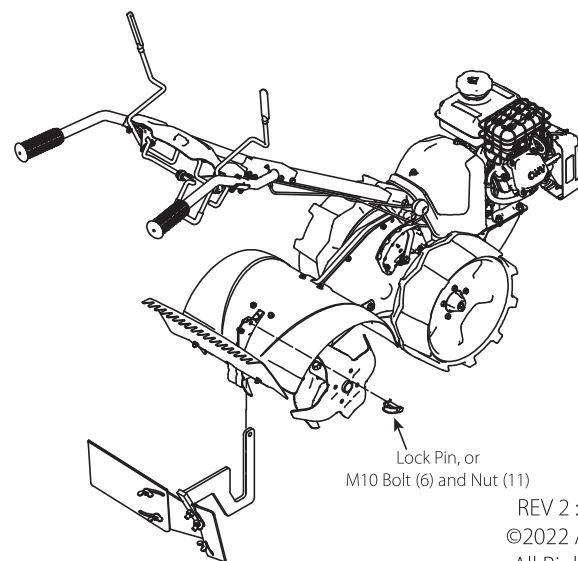
NOTE: Adjust the left and right wing (2, 3) to the desired hill size position before tightening the wing nuts (8).

3. Remove the lock pin and drag stake from the drag stake holder in the tiller, and flip the hinged tail plate attached to the tine shield upward to rest in a vertical position.
4. Insert the long stem of the hiller furrower bracket (1) upward and into the drag stake holder from underneath the tiller, aligning the hole in the stem of the bracket with the pin hole in the drag stake holder of the tiller. Using the tiller's drag stake lock pin, or the M10 x 30mm bolt (6) and an M10 locknut (11) included in the kit, secure the hiller furrower attachment to the tiller.

NOTE: There is an extra M10 x 30mm bolt (6) and M10 locknut (11) in the kit that is used for other adapters that may not be included in this kit.



REF. / REP.	PART NO. / N° RÉF.	DESCRIPTION	QTY. / QTÉ
1	37623	BRACKET HILLER/FURROWER RED	1
2	16514	WING LEFT HILLER/FURROWER RED	1
3	16515	WING RIGHT HILLER/FURROWER RED	1
4	16516	SHOVEL HILLER/FURROWER RED	1
5	20143	WASHER M8 X 16 X 1.5 MM GR8.8 ZN	4
6	21247	BOLT M10 X 1.5 X30 MM HHCS GR8.8 ZN	2
7	21810	WASHER M8 EXTERNAL TOOTH LOCK	4
8	23204	NUT M8 X 1.25 W GR8 ZN	4
9	23205	BOLT M8 X 1.25 X 20 CRG GR8 ZN F-T	4
10	23206	BOLT M10 X 1.5 X 40 CRG GR8 ZN F-T	2
11	W1265V0903	NUT M10 HNYLK GR8.8 ZN	4



P/N: 38406
 ECN: 14060
 REV 2 : 08/22/2022
 ©2022 Ardisam, Inc.
 All Rights Reserved