

Earthquake®

GROUND BREAKING POWER EQUIPMENT

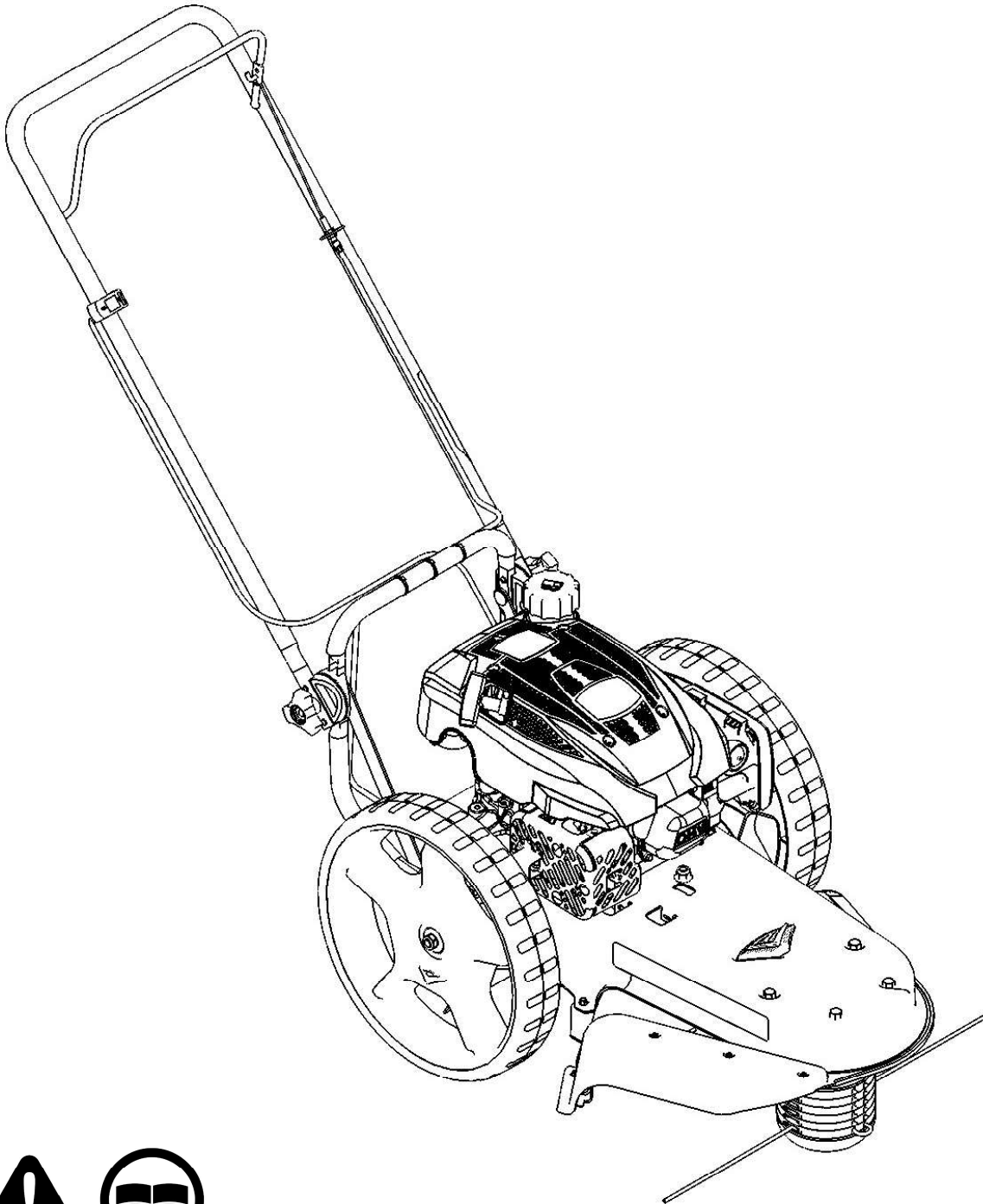
Illustrated Parts Breakdown
Illustration des pièces détachées

**Model Number,
Numéros de modèle :**
47325

ENGLISH

FRANÇAIS

S/N



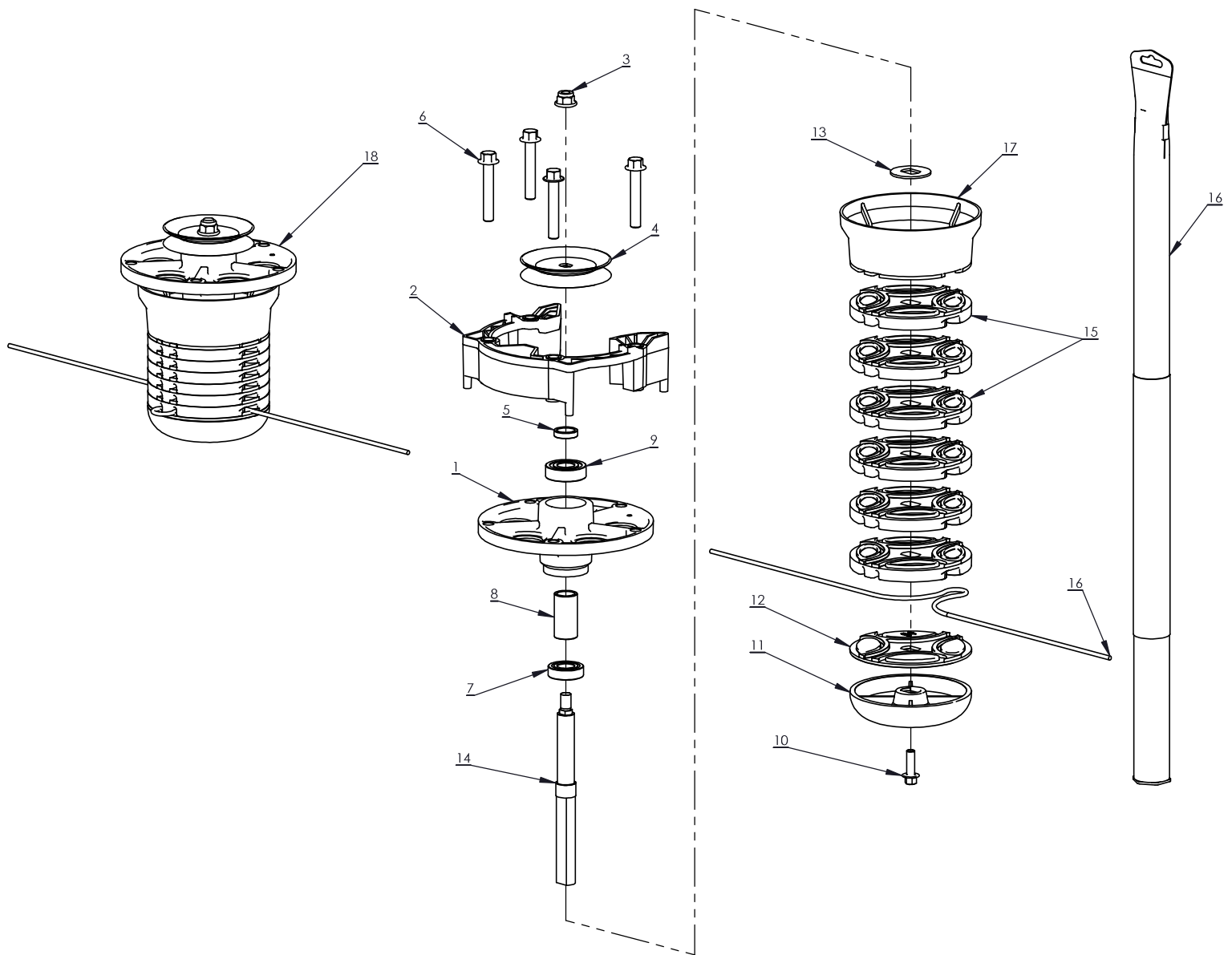
www.getearthquake.com - (800) 345-6007

© 2025 Ardisam, Inc.
All Rights Reserved
Tous droits réservés
P/N: 49630
SVC: 05840
ECN: 14586
REV 1: 2025-06-05



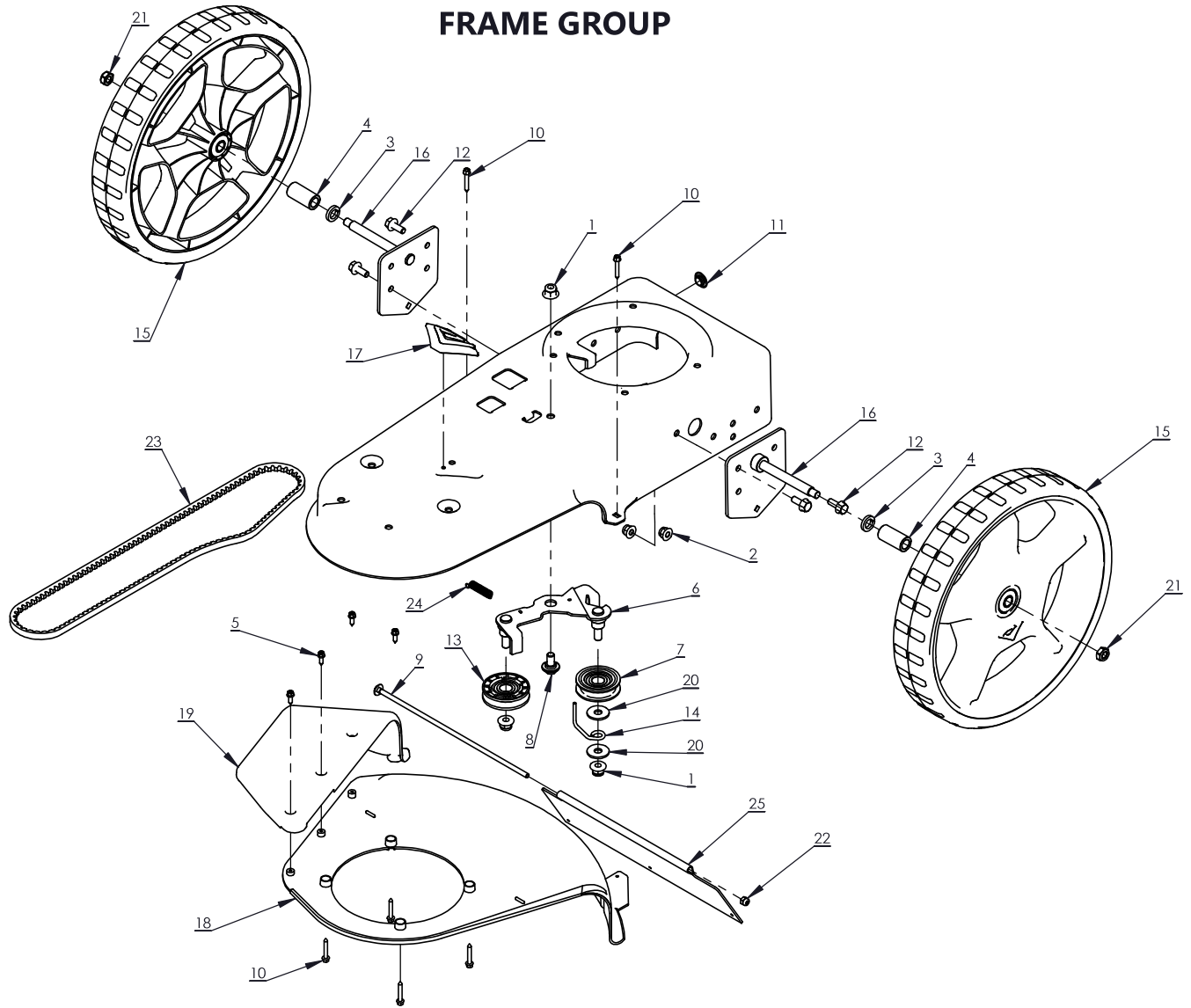
THIS INSTRUCTION BOOKLET CONTAINS IMPORTANT SAFETY INFORMATION. PLEASE READ AND KEEP FOR FUTURE REFERENCE.
CE LIVRET D'INSTRUCTIONS CONTIENT DES INFORMATIONS IMPORTANTES SUR LA SÉCURITÉ. VEUILLEZ LE LIRE ET LE CONSERVER POUR TOUTE CONSULTATION EXTÉRIEURE.

CUTTING HEAD GROUP



REF./REP.	PART NO. /° RÉF.	DESCRIPTION	QTY./QTÉ
1	16317	SPINDLE HOUSING	1
2	16318	SPINDLE SPACER	1
3	16391	NUT M10	1
4	16595	PULLEY DOUBLE D HUB	1
5	19925	SPACER 17.5 X 6	1
6	19927	BOLT M10 X 60	4
7	19959	BALL BEARING 17 X 35	1
8	19960	SPACER 17.5 X 44	1
9	19966	BALL BEARING 17 X 40	1

REF./REP.	PART NO. /° RÉF.	DESCRIPTION	QTY./QTÉ
10	35893	BOLT M8 X 25	1
11	45948	CUTTING HEAD BOTTOM	1
12	46355	CUTTING HEAD LOWER PLATE	1
13	46356	HEAD SHAFT WASHER	1
14	49367	CUTTING HEAD SHAFT	1
15	49494	CUTTING HEAD DISK	6
16	49551	0.155 IN. CUTTING LINE - 24 PK	1
17	51157	WEED WRAP DISK	1
18	51198	REPLACEMENT CUTTING HEAD	1

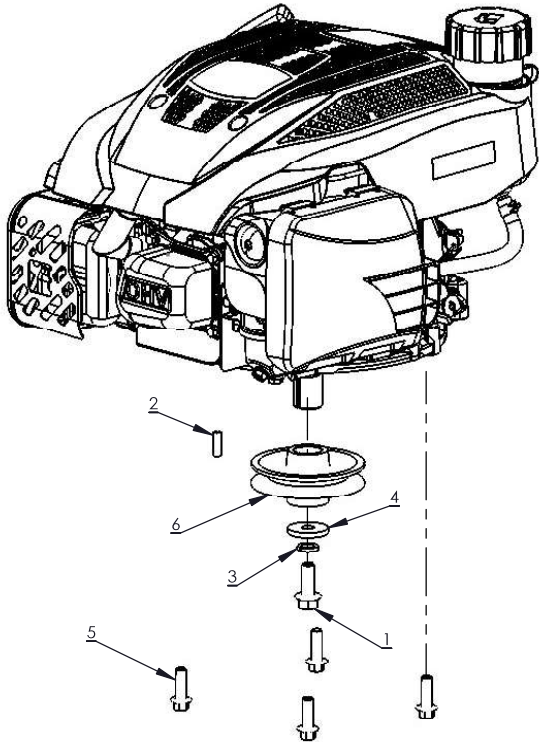


REF./REP.	PART NO. /° RÉF.	DESCRIPTION	QTY. /QTÉ
1	16391	NUT M10	3
2	16400	NUT M8	4
3	18898	WASHER M14	2
4	19904	SPACER 14 X 43	2
5	19931	SCREW M5 X 15	4
6	19932	IDLER ENGAGEMENT ARM	1
7	19934	IDLER PULLEY SMOOTH NYLON	1
8	19936	BOLT M10 SHOULDER	1
9	19937	BOLT M6 X 285 CARRIAGE	1
10	19940	SCREW M5 X 30	6
11	19944	GROMMET 12 X 23	1
12	19945	BOLT M8 X 20	4
13	19968	IDLER PULLEY V GROOVE NYLON	1

REF./REP.	PART NO. /° RÉF.	DESCRIPTION	QTY. /QTÉ
14	25038	BELT GUIDE	1
15	28321	WHEEL 13MM X 14 INCH	2
16	28515	AXLE 13 X 105	2
17	30995	EARTHQUAKE BADGE	1
18	35817	MOWER SHIELD	1
19	41112	DISCHARGE CHUTE	1
20	41161	WASHER M10	2
21	41235	NUT M10	2
22	46666	NUT M6	1
23	60005003	V BELT 3L	1
24	60005008	SPRING EXTENSION	1
25	60005018	TRAILING MOWER SHIELD	1

ENGINE GROUP

REF./REP.	PART NO./° RÉF.	DESCRIPTION	QTY./QTE
1	16510	BOLT 3/8 X 1.0 IN	1
2	16602	KEY 4 X 5	1
3	30697	3/8 LOCK WASHER	1
4	331040	WASHER M10 X 32	1
5	35893	BOLT M8 X 25	4
6	38147	PULLEY	1



HANDLEBAR GROUP

REF./REP.	PART NO./° RÉF.	DESCRIPTION	QTY./QTE
1	16360	WASHER M3	8
2	16397	SCREW M3 X 10	8
3	16400	NUT M8	4
4	17526	UPPER HANDLEBAR	1
5	17527	ENGAGEMENT CABLE	1
6	19912	ANGLE ADJUSTMENT DISC	4
7	19941	LOWER HANDLEBAR	1
8	19945	BOLT M8 X 20	4
9	27683	HANDLEBAR BRACE	2
10	27800	CARRIAGE BOLT M8 X 65	2
11	28354	THREE LOBE HAND NUT	2
12	31153	ENGAGEMENT LEVER	1
13	41204	IGNITION SWITCH	1

