

# CAGE® RD30 8' TOWER

**MAXIMUM HEIGHT**  
8' TO PLATFORM

**MAXIMUM FIELD RATING**  
800 LBS.  
(300 LBS. PER PERSON MAX).

**ALLOW**  
**2-4 HOURS**  
**FOR ASSEMBLY (4 PEOPLE)**



PRODUCT MEETS  
INDUSTRY STANDARDS  
RECOGNIZED BY



PARTICIPATING MEMBER



**ATTENTION**

**YOU MUST READ ALL WRITTEN INSTRUCTIONS  
AND WATCH THIS SAFETY VIDEO BEFORE USING!**



**WATCH THIS SAFETY VIDEO BEFORE USING!**

Scan →



or Visit →

[www.standsafety.com/r5](http://www.standsafety.com/r5)

Scan the QR code with your smart phone, tablet or similar device.

**OR**

Type the website address into your web browser to view an important safety video before using this product.

**TRIPOD STAND SAFETY**

## INTRODUCTION

We appreciate your purchase of one of our world class products. Follow these few simple instructions and this product will provide you many years of trouble-free pleasure. Instructions should be kept in a safe place and reviewed at least annually.

If for any reason you have a problem with your product, **DO NOT return to the retailer**, contact the Rivers Edge® customer service department at 800-345-6007 for assistance.

## TABLE OF CONTENTS

Introduction .....	2
Warranty .....	3
Warnings.....	4-6
Inspection & Maintenance .....	6
Tools Required.....	7
Hardware List.....	8
Assembly Instructions .....	9-23
Finished Landmark .....	24
Illustrated Parts Breakdown.....	25-27
Parts List.....	28
Notes.....	29-31

## PRODUCT WARRANTY

### CRD30T/CRD30E WARRANTY

Ardisam, Inc. offers a one year warranty for all components of the treestand. These warranties apply to the original owner with a proof of purchase. These warranties begin on the date of purchase by the first retail consumer and continue for the period specified above. These warranties apply to products that are not modified, abused or used in a manner that deviates from the product's intended usage. Minor fading in color is normal and is not covered by warranty. Any corrosion of painted surfaces that occurs as a result of paint being removed or damaged is also not covered by warranty. Ardisam, Inc. offers no other warranty service expressed or implied. Products for which warranty work has been approved must be sent directly to Ardisam, Inc. and performed by Ardisam, Inc. **To obtain warranty service and/or replacement instructions, you must obtain prior approval from Ardisam, Inc. before shipping your package to us by calling our customer service department at 800-345-6007 or by writing to: Ardisam, Inc., P.O. Box 755, 1730 Industrial Avenue, Cumberland, WI 54829 for a return material authorization number (RMA#).** All items must be shipped prepaid. Ardisam, Inc. will, at no charge, repair or replace, in Ardisam's sole discretion, any product that satisfies the conditions stated above. Ardisam, Inc. retains the right to change models, specifications and price without notice.

This equipment has been manufactured under strict quality and safety guidelines. As with any equipment of this type, full understanding of the instructions and its use is mandatory and imperative for the safety of its user. Ardisam, Inc. is not responsible for any damages or injuries sustained due to improper use or modification of any of its products, or resulting from any use which deviates from the product's intended usage. Ardisam, Inc. is not responsible for any injuries sustained due to failure to read and adhere to the instructions for use. Any misunderstanding or questions regarding the products of their use should be directed to Ardisam, Inc. prior to any use. It is the owner's sole responsibility to inspect the product regularly for damage, improper installation, or conditions that could jeopardize the ultimate safety of the product. **Owner is responsible to understand and follow product field weight rating and must never exceed maximum weight rating.** Ardisam, Inc. is not responsible for any malfunction or injury resulting from normal wear and tear, damage caused by improper use, improper maintenance, negligence or accidents. This product, if used safely as intended, will provide trouble free service for the useful life of the product. We hope you will enjoy the quality of our products for years to come, and have a safe hunt.

*This product is designed to be used with CAGE® products only. \*Using structures other than CAGE® products will void your warranty and waive any and all claims for liability against the manufacturer Ardisam, Inc.*

**STOP**

**READ AND UNDERSTAND THE FOLLOWING WARNINGS BEFORE ASSEMBLY**

**MODEL CRD30T**

**MODEL LM550T**

**MAXIMUM USE HEIGHT - 8'**

**TOTAL WEIGHT LIMIT - 800 LB (300 LB PER PERSON MAX)**



**WARNING**

- ▲ This product carries strict height and weight restrictions. **Do Not** use this product if you exceed the total weight limit. Please note that the total weight limit includes the user(s) and their equipment.



**WARNING**

- ▲ **When hunting from, installing, or removing a treestand, tripod, or tower, falls can occur any time after leaving the ground causing injury or death.**
- ▲ **Read and understand** all of the manufacturer's Warnings and Instructions and use all safety devices provided by the manufacturer. Contact the manufacturer for any questions. Failure to do so could result in injury or death.
- ▲ **Never** exceed the total weight limit of the treestand, tripod or tower.



**WARNING**

- ▲ **Never** use, install or remove a treestand, tripod or tower during inclement weather such as rain, lightning, windstorms or icy conditions and end your hunt and return to the ground if inclement conditions arise.
- ▲ **Never** use, install or remove a treestand, tripod or tower while using drugs (even prescription drugs) or alcohol.
- ▲ **Never** use, install or remove a treestand, tripod or tower while feeling ill, nauseous or dizzy, or if you have a prior medical condition that could cause a problem, that is, heart condition, joints that lock-up, spinal fusions, etc., or if you are not well rested. **Never** sleep in stand.
- ▲ **Never** rely on a tree branch for support.
- ▲ **Never** jump or bounce on a treestand, tripod or tower to seat it to the tree or ground.
- ▲ Pull up a bow, backpack, or firearm or other equipment only after being secure in the treestand, tripod or tower and a firearm must be pulled up with it unloaded, chamber open, and muzzle down.
- ▲ **Always** inform someone of the hunting location, where the treestand, tripod or tower will be located and the expected duration of the hunt.
- ▲ A signal device such as a mobile phone, radio, whistle, signal flare or personal locator device (PLD) must be on your person and readily available at all times.
- ▲ **Never** leave a tripod or tower out in the elements for more than two weeks since weather or animals could cause damage.
- ▲ Inspect the treestand, tripod or tower and all safety devices each time before use and **Do Not** store a treestand or free standing platform stand outdoors.
- ▲ **Never** modify your treestand, tripod or tower in any way by making repairs, replacing parts, or altering it except if explicitly authorized in writing by the manufacturer.

**STOP**

**READ AND UNDERSTAND THE FOLLOWING WARNINGS BEFORE SETUP AND USE**

**⚠ WARNING**

- ▲ Practice installing, adjusting, removing, and using your treestand, tripod or tower at ground level prior to using it at elevated positions. Study your new stand to become familiar with all of its features and design. Doing so will confirm that the product is manufactured, assembled and installed correctly.
- ▲ Instructions (written and video) shall be kept in a safe place and reviewed at least annually. It is the responsibility of the treestand, tripod or tower owner to furnish the complete instructions to any person who borrows or purchases the treestand, tripod or tower.
- ▲ When installing, taking down or moving a tripod or tower stand you must strictly follow the manufacturer's instructions to determine the appropriate number of people required to perform these tasks.
- ▲ **Always** use at least four (4) people to install or take down a tripod or tower.
- ▲ A fall arrest system/full body harness (FAS/FBH) that meets industry standards for treestands is not included with tripods and tower stands. FAS/FBH designed for treestands require that the tether be anchored/attached to the tree. Never attach a FAS/FBH to a tripod or tower stand or any part of its structure as this could lead to an unsafe condition. Failure to follow this warning could result in serious injury or death!
- ▲ Prior to setting up your tripod or tower stand inspect the ground surface area. The ground must be firm, level and free of any debris. Soft or sloping ground and debris can cause the platform to become unstable and lead to unsafe conditions such as tilting, shifting or tipping. Never attempt to climb a tripod or tower stand that is leaning, unstable or slanted.
- ▲ **Never** erect a tripod or tower stand near overhead electrical power lines and/or buried utilities that can cause electrocution, explosion and/or fire. You must always contact appropriate authorities prior to installing any structure on or near right of ways or underground utilities.
- ▲ Check every ladder section connection every time you use the stand before you leave the ground. If ladder sections are separating, do not use the stand.
- ▲ For towers and tripods designed for two or more people, never allow more than one person at a time to ascend or descend the ladder. Be certain first person is fully off the ladder/entry platform and positioned safely on tower platform or ground before second person ascends or descends ladder.

**⚠ WARNING**

- ▲ **Always** maintain three (3) points of contact when climbing a tripod or tower stand. Proper three-point contact means having either two feet with one hand or one foot with two hands on the step portion of the ladder at all times. Never lean backward when climbing as this could cause the tripod or tower stand to become unstable.
- ▲ Tripod and tower stands must be properly secured and/or anchored to the ground according to manufacturer's instructions. Avoid using tripod and tower stands during windy conditions which could cause the free standing platform to tip over and result in damage to equipment and also serious injury or death to the users.
- ▲ Inspect tripod and tower stands before each use. Leaving equipment exposed to rain, sunlight, changing temperatures, snow and extreme weather conditions for extended periods of time can cause dangerous conditions not visible to the naked eye. Do not attempt to use any product if damage is detected or suspected. For your personal safety and also the safety of others, the product should be removed from service immediately.
- ▲ **Never** exceed the stated maximum use height.
- ▲ **Do Not** use this product until you have watched the safety video, understand it, and practiced the techniques for safe hunting discussed in this video. The video can be found with the QR code and/or URL shown on front cover of this manual.
- ▲ Read and perform all inspection and maintenance tasks before each and every use. Replace any questionable components immediately with Landmark™ original replacement parts.
- ▲ **Do Not** crush tubing when tightening bolt assemblies! Identify and familiarize yourself with all parts before you start. Bolt identification chart can be found in the back.
- ▲ Double check assembly steps to be certain you have correctly assembled this product.
- ▲ **Never** use any product that has not been maintained or inspected properly - Your life depends on it!
- ▲ Do not position this product on a slope, unlevel, or wet ground. It may tip over and serious injury or death may occur.
- ▲ Ground must be free of rocks and debris so stakes can be driven into ground through holes provided in foot pads. This will help prevent tower from tipping over in strong winds.
- ▲ Contacting buried utilities may result in serious injury or death! Before digging always call 811 or your local One-Call system to prevent person injury, interruption of service, environmental accidents or project delays.

 **WARNING**

- ▲ Be sure only one person ascends or descends ladder at a time. Be certain first person is fully off of the ladder and positioned safely on tower platform or ground before second person ascends or descends ladder.
- ▲ **Never** have two people on one side of the platform. Keep weight evenly distributed on platform.
- ▲ **Always** be aware of the other person's position. Use extreme caution when weapons are used to prevent personal injury.
- ▲ **Always** lean forward as you climb ladder or climbing aid.
- ▲ **Always** wear the appropriate footwear when using a free standing platform stand. A good non-slip safety boot is important to your personal safety. Be especially careful that boot laces do not get hooked on the stand or any of its components (tuck shoelaces into boots before climbing).

 **WARNING**

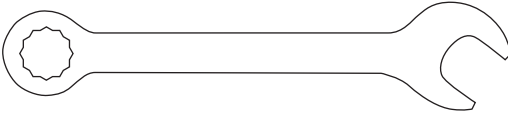
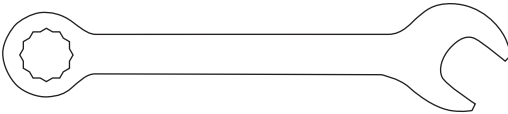
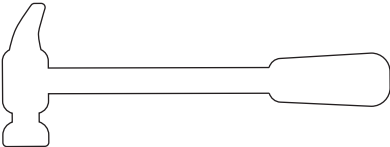
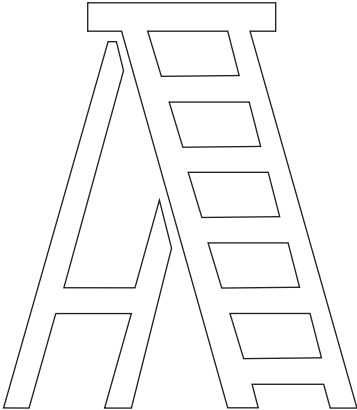
- ▲ Double check assembly steps to be certain you have correctly assembled this product.
- ▲ Study your new product to become familiar with all of its features and design. Save these instructions for future reference.
- ▲ **Be Sure** assembly area is open, flat, level, and dry with no power lines near!
- ▲ **Always** use at least four (4) people to install or take down a tripod or tower.
- ▲ **Do Not** use any type of motorized vehicle to upright/assemble this free standing platform stand. You could cause unnecessary damage to this product. Upright only by manufacturer's instructions.
- ▲ Some models include a shooting rail. **Never** lean against, lean over, or sit on shooting rail. It is designed as a shooting rest only. On models that have a non-fixed shooting rail, be sure shooting rail is flipped back or swung to the side when ascending or descending ladder.

## INSPECTION AND MAINTENANCE

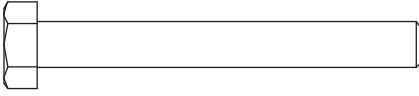
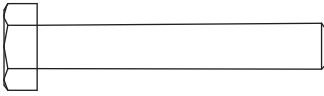
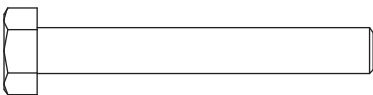
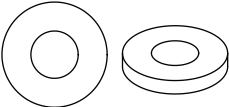

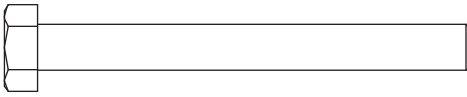
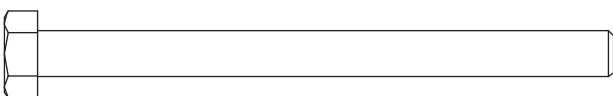
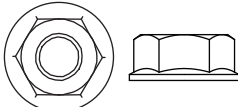
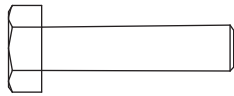
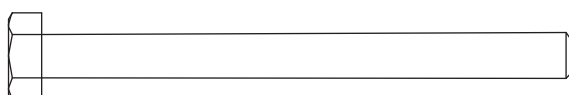
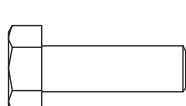
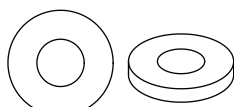
### BEFORE EACH USE PERFORM THE FOLLOWING:

- Inspect all webbing, rope, cord, and strap assemblies for wear or damage.
- Inspect cables and/or cable ends for damage or kinking.
- Inspect all hardware and chain components for damage.
- Inspect for any structural damage to product. (If any exists call customer service.)
- Inspect all nut and bolt assemblies to be certain none are loose.
- Inspect for any missing parts.
- Lubricate all pivot and slide together points with powder graphite, petroleum jelly or silicone spray to prevent noise, wear and rust.
- Inspect entire product for any rust, corrosion, cracks, freezing, excessive heat or rotting damage that may effect the safety of your product. Discard any questionable product.
- Inspect entire product for any structural damage - pay close attention to all weld locations. (Return to factory for repair or discard product if any damage is found.)
- Using correct wrenches inspect all nut & bolt assembly locations and snug up any that may be loose. Be careful not to crush tubing when tightening!
- Inspect and check operation of all cables, cable ends, cord, rope, webbing, and strap or chain assemblies. Replace with factory new any item or assembly that shows signs of wear, damage, kinking, or functions incorrectly.
- Inspect seat. Replace any seat with factory new that shows signs of structural damage or wear.
- Inspect all hardware for wear or damage, also be sure you have no missing parts.
- Never modify your stand in any way by making repairs, replacing parts, or altering adding or attaching anything to it except if explicitly authorized in writing by the manufacturer.

**TOOLS REQUIRED (NOT INCLUDED)**

-	-	7/16 IN WRENCHES		2
-	-	5/16 IN WRENCH		1
-	-	HAMMER		1
-	-	STEP LADDER		1

## HARDWARE LIST

24	48153B	BOLT 1/4 X 2 IN		12
25	48240B	BOLT 1/4 X 1-1/2 IN		8
26	48250B	BOLT 1/4 X 1-3/4 IN		4
27	48261B	STEEL WASHER 1/4 IN		16
28	48270B	BOLT 1/4 X 2-1/2 IN		24
29	48271B	BOLT 1/4 X 2-1/4 IN		23
30	48280B	BOLT 1/4 X 3 IN		6
31	48752B	NUT 1/4 IN		109
38	63282	BOLT 1/4 X 1 IN		8
32	67540B	BOLT 1/4 X 2-3/4 IN		8
33	8930B	BOLT 1/4 X 3/4 IN		16
34	WN516	PLASTIC WASHER 1/4 IN		6

## ASSEMBLY INSTRUCTIONS

### IMPORTANT ASSEMBLY TIP:

Do not tighten any nut and bolt combinations completely until instructions indicate to. Finger tighten plus one turn of a wrench only! This will temporarily hold the lock-nut on the bolt while helping alignment of all parts!

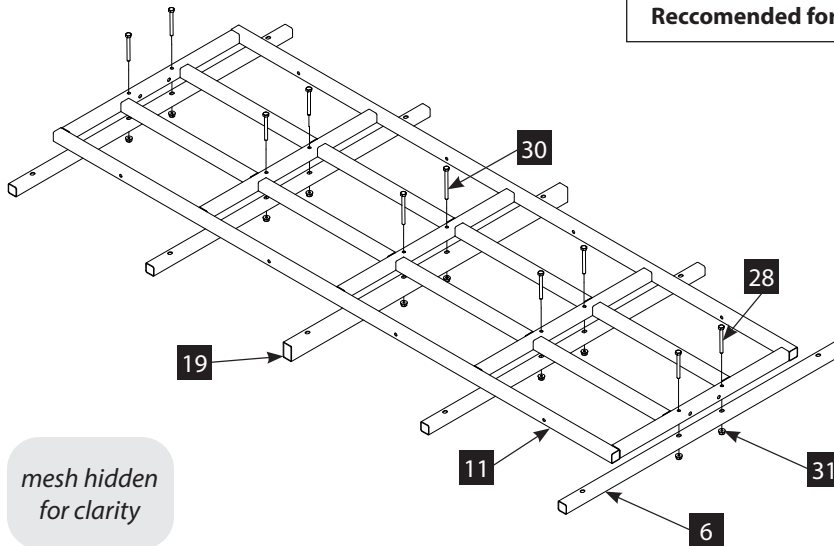
All assembly must be done completely in this order before use.

Measure out assembly/intended use location, assembled footprint of product is 8' x 8'. Allow additional room for assembly.

Do not remove labels/warnings from product, they are there for your safety.

Recommended for adult use only.

STEP 1

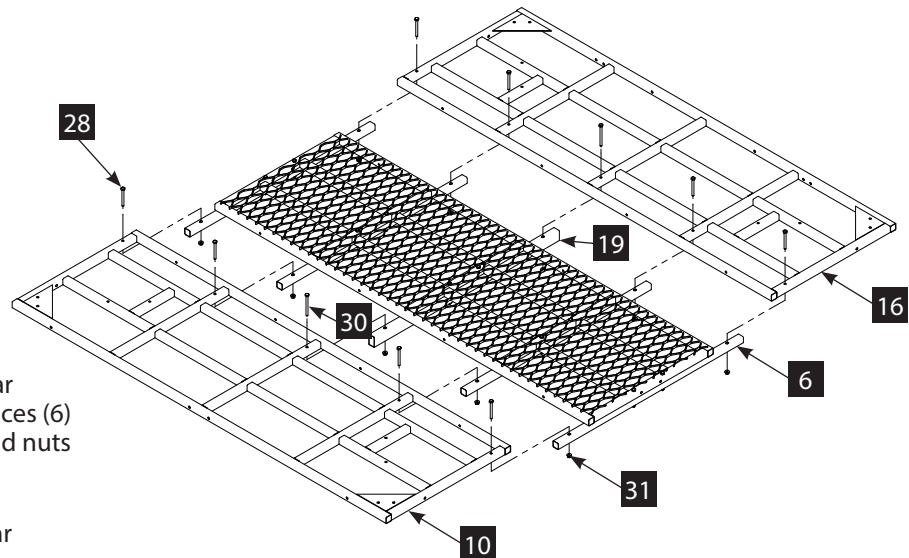


1. Attach the four platform braces (6) to the middle platform (11) using two 1/4 X 2-1/2 IN bolts (28) and nuts (31) for each brace.

Attach the center platform brace (19) to the middle platform (11) using two 1/4 X 3 IN bolts (30) and nuts (31).

mesh hidden  
for clarity

STEP 2

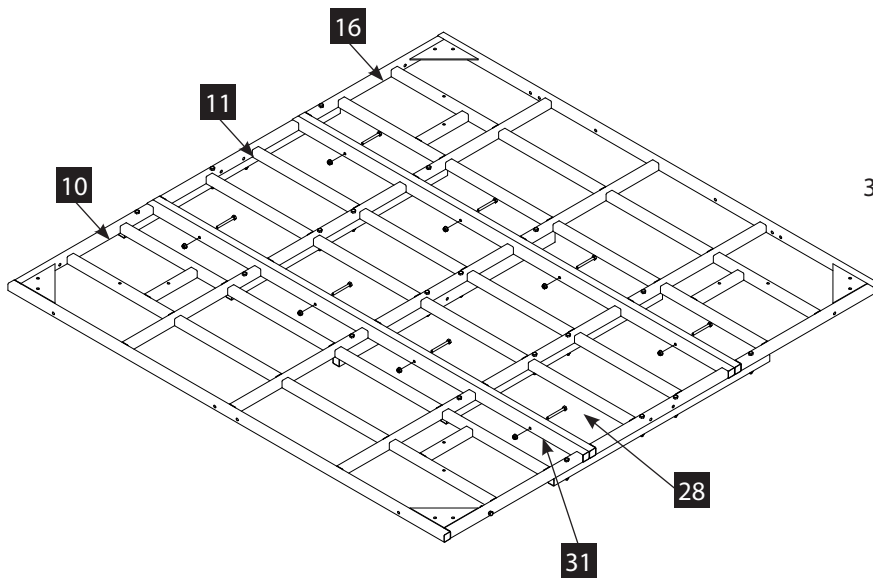


2. Attach the front platform (16) and rear platform (10) to the four platform braces (6) using four 1/4 X 2-1/2 IN bolts (28) and nuts (31).

Attach the front platform (16) and rear platform (10) to the center platform brace using a 1/4 X 3 IN bolt (30) and nut (31) on each platform.

mesh hidden  
for clarity

STEP 3

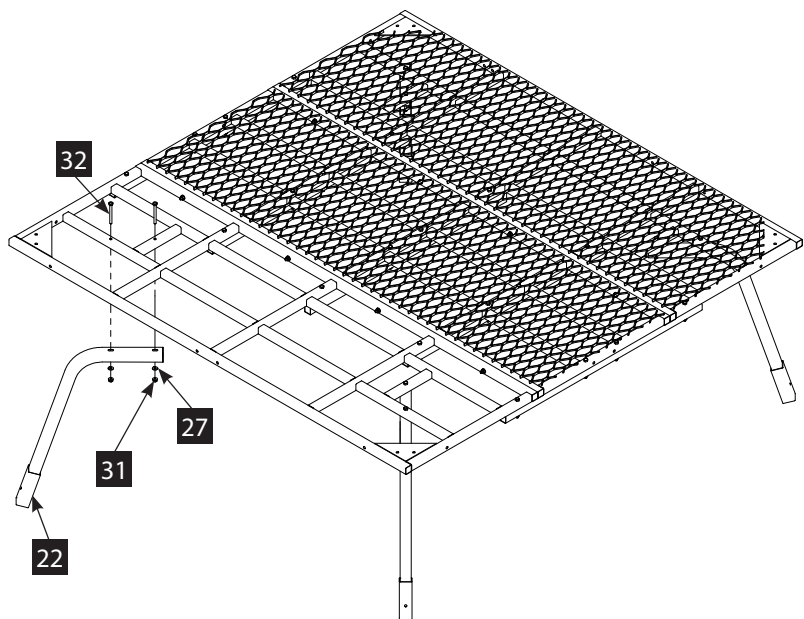


3. Secure the three platforms (10, 11, 16) together using six 1/4 X 2-1/2 IN bolts (28) and nuts (31).

*mesh hidden  
for clarity*

4. Attach the four leg-to-platform attachments (22) to the assembled platform using two 1/4 X 2-3/4 IN bolts (32), two 1/4 IN steel washers (27) and nuts (31) for each part.

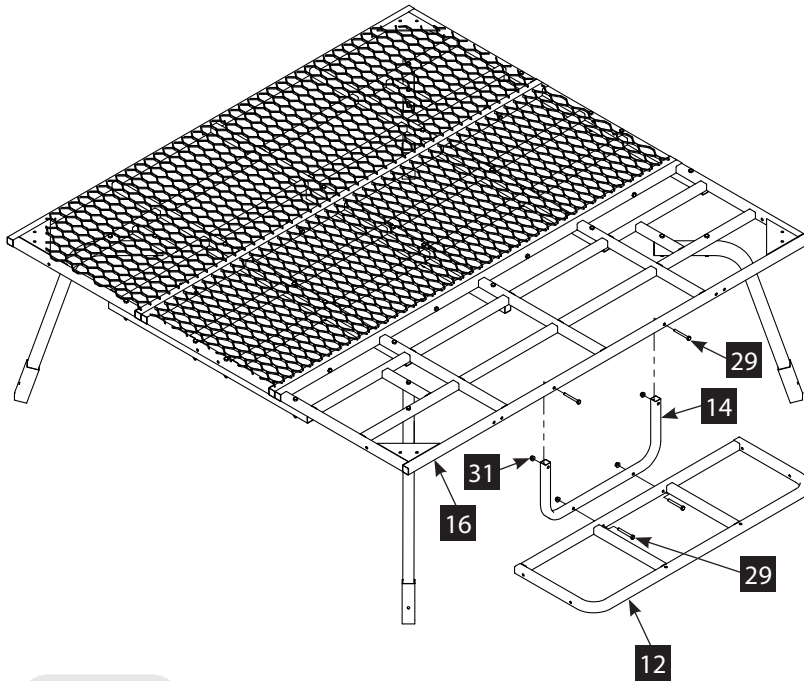
*Securely tighten all loose hardware at this time.*



STEP 4

*mesh hidden  
for clarity*

STEP 5



mesh hidden  
for clarity

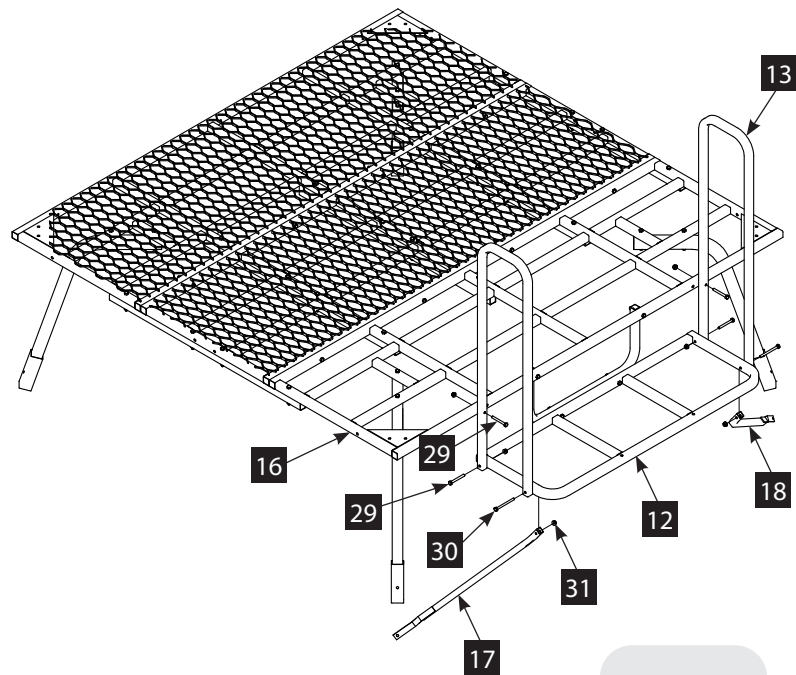
5. Attach the entry platform brace (14) to the front platform (16) using two 1/4 X 2-1/4 IN bolts (29) and nuts (31).

Attach the entry platform (12) to the entry platform brace (14) using two 1/4 X 2-1/4 IN bolts (29) and nuts (31).

6. Attach the two entry platform hand rails (13) to the entry platform (12) using a 1/4 X 2-1/4 IN bolt (29) and nut (31) for each hand rail.

Attach the left and right entry platform braces (17, 18) to the entry platform (12) and entry platform hand rails (13) using two 1/4 X 3 IN bolts (30) and nuts (31).

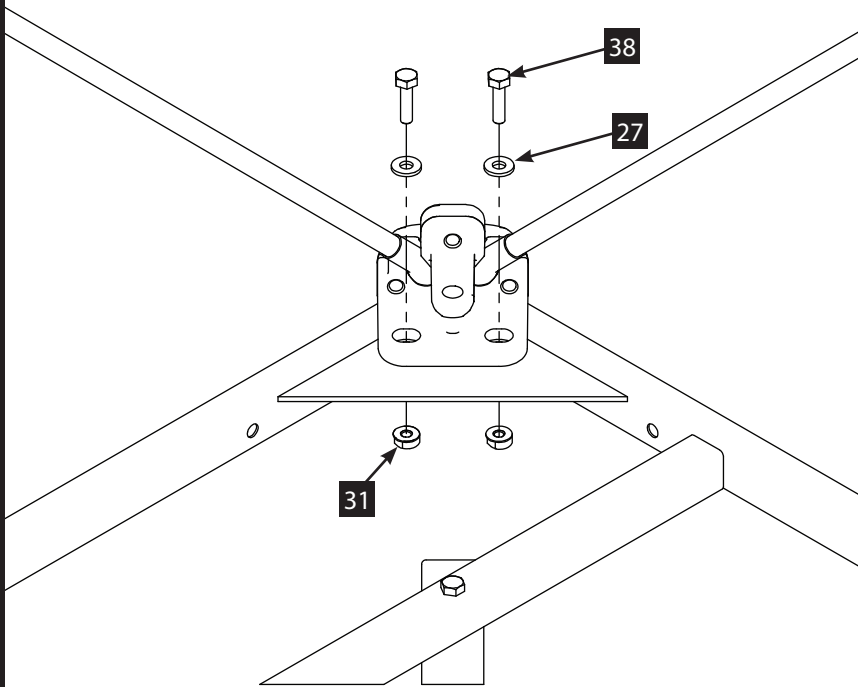
Attach the two entry hand rails (13) to the front platform (16) using a 1/4 X 2-1/4 IN bolt (29) and nut (31) for each hand rail.



mesh hidden  
for clarity

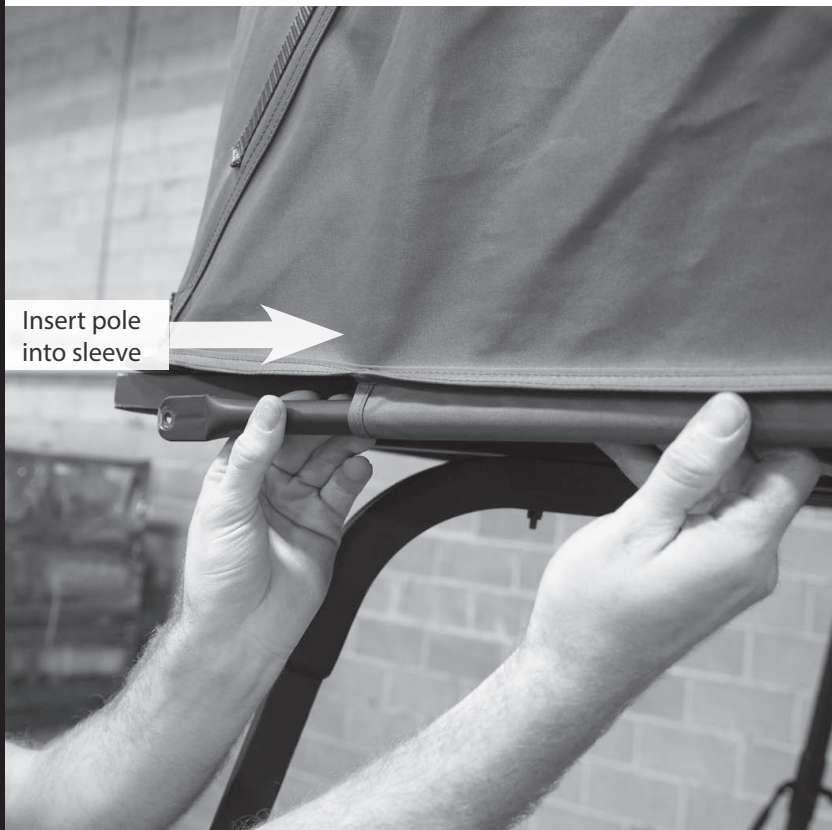
STEP 6

STEP 7



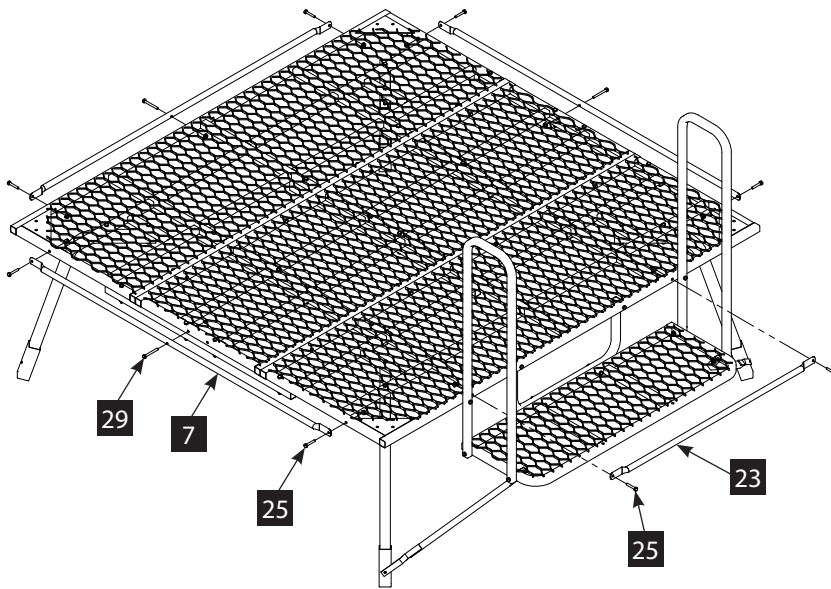
7. Install the fully assembled blind to the platform by aligning the blind with the tower platform and attach each corner of the blind by using two 1/4-20 X 1 IN bolts (35), two 1/4 IN washers (27), and 1/4-20 nuts (31) for each corner.

*Securely tighten all loose hardware at this time.*



To attach the bottom of each wall of the blind to the platform, begin by sliding the three long blind attachment parts (7) and one short blind attachment part (23) through the fabric sleeves on the bottom of each wall.

STEP 7 (CONTINUED)



Bolt the long blind attachment parts (7) to the platform using a 1/4-20 X 1-1/2 IN bolt (25) on each end, a 1/4-20 X 2-1/4 IN bolt (29) in the middle, and nuts (31).

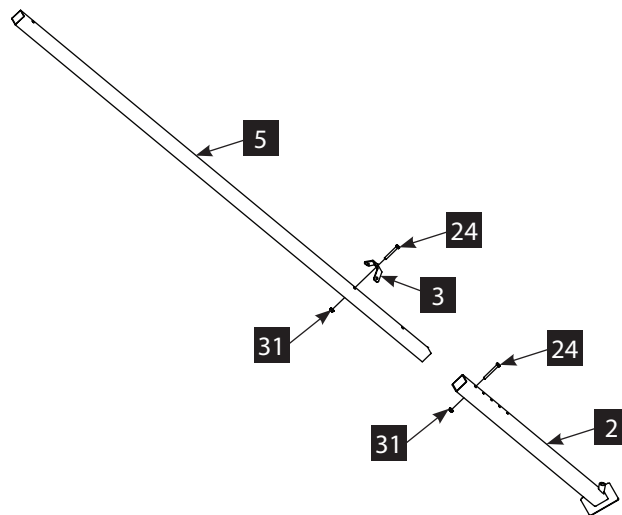
Bolt the short blind attachment part (23) to the platform using a 1/4-20 X 1-1/2 IN bolt (25) and nut (31) on each end.

*Securely tighten all loose hardware at this time.*

8. Assemble each of the four legs by attaching an adjustable foot (2) to a leg (5) using a 1/4 X 2 IN bolt (24) and nut (31). It is easiest to adjust the tower level later if you use the top adjustment hole now as shown.

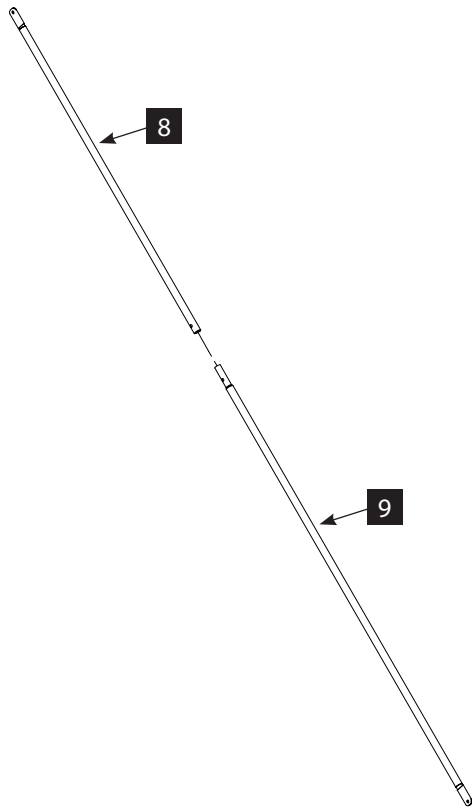
Attach a leg attachment bracket (3) to each leg (5) using a 1/4 X 2 IN bolt (24) and nut (31).

*Securely tighten all loose hardware at this time.*



STEP 8

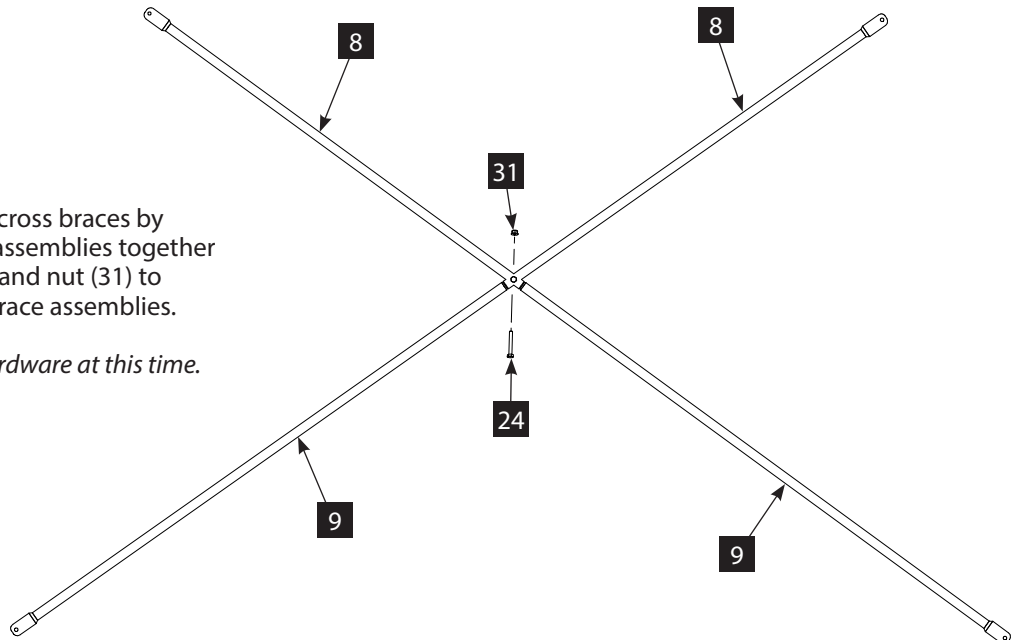
STEP 9



9. Start assembly of the cross braces by inserting a male cross brace (9) into each female cross brace (8).

10. Complete assembly of the cross braces by attaching two cross brace assemblies together using a 1/4 X 2 IN bolt (24) and nut (31) to make four separate cross brace assemblies.

*Securely tighten all loose hardware at this time.*

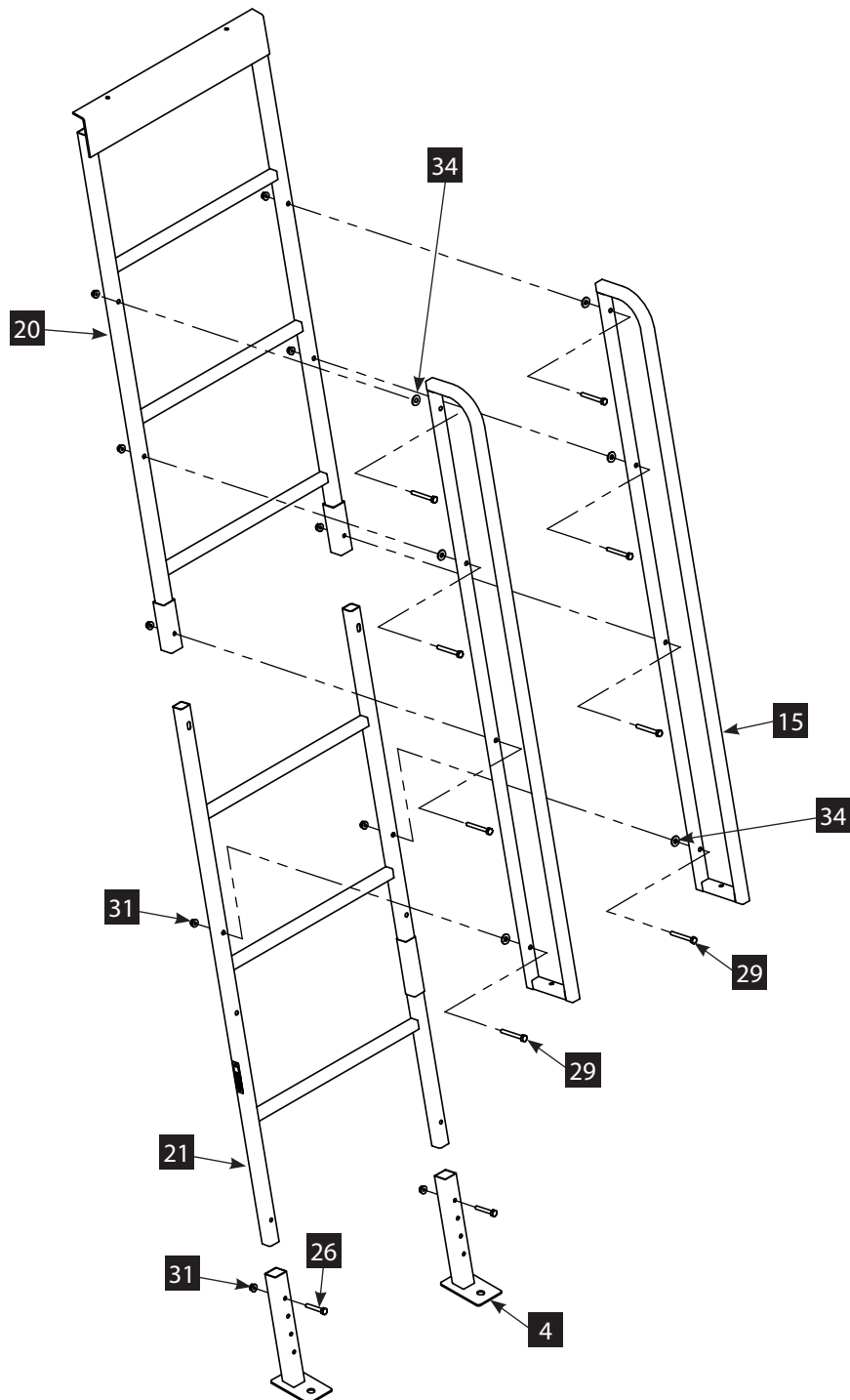


STEP 10

11. Begin assembly of the ladder by sliding the bottom ladder (21) into the top ladder (20). Secure the ladder sections together by attaching the ladder hand rails (15) to the four holes on each side of the ladder using four 1/4 X 2-1/4 IN bolts (29), three plastic washers (34), and nuts (31). The plastic washers are placed between the hand rail and ladder to act as a spacer.

Attach the adjustable ladder feet (4) to the bottom ladder (21) using a 1/4 X 1-3/4 IN bolt (26) and nut (31) for each foot. It is easiest to adjust the ladder level later if you use the top adjustment hole now as shown.

*Securely tighten all loose hardware at this time.*



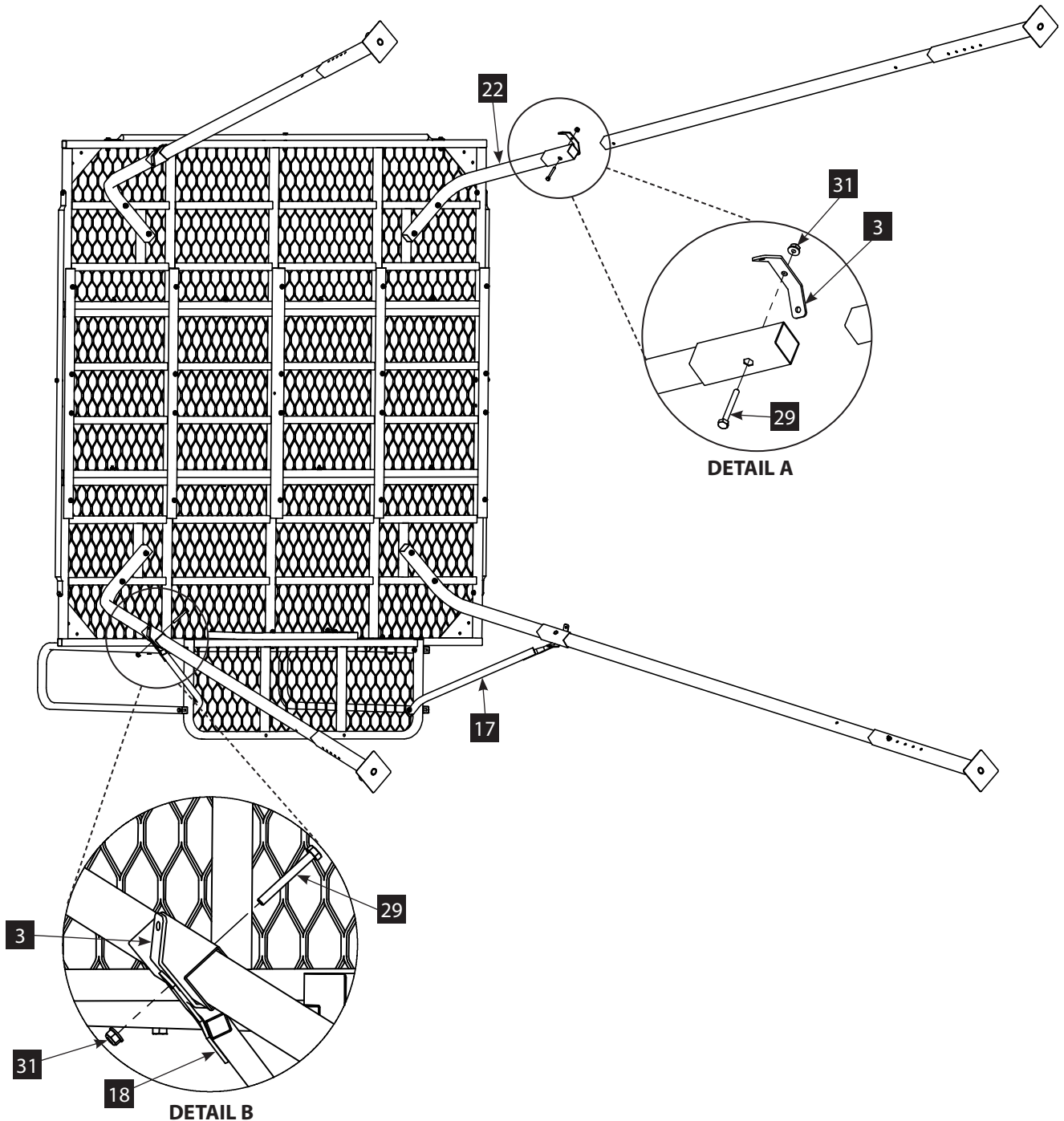
STEP 11

12. Tip the platform on edge with the entry platform facing the ground. Supporting the platform with blocks will help with the ease of assembly. Be sure not to rest the blind frame on the ground.

Insert the four leg assemblies into the leg to platform attachment parts (22). Pay attention to the orientation of the leg so that the foot plate is angled correctly to sit flat on the ground. Connect the four leg assemblies, brace to leg attachment brackets (3), and leg to platform attachment parts (22) with a 1/4 X 2-1/4 IN bolt (29) and nut (31).

**SEE DETAIL A.**

For the lower leg assemblies, the left and right entry platform braces (17, 18) must be bolted to the outside of the brace to leg attachment brackets (3). **SEE DETAIL B.**

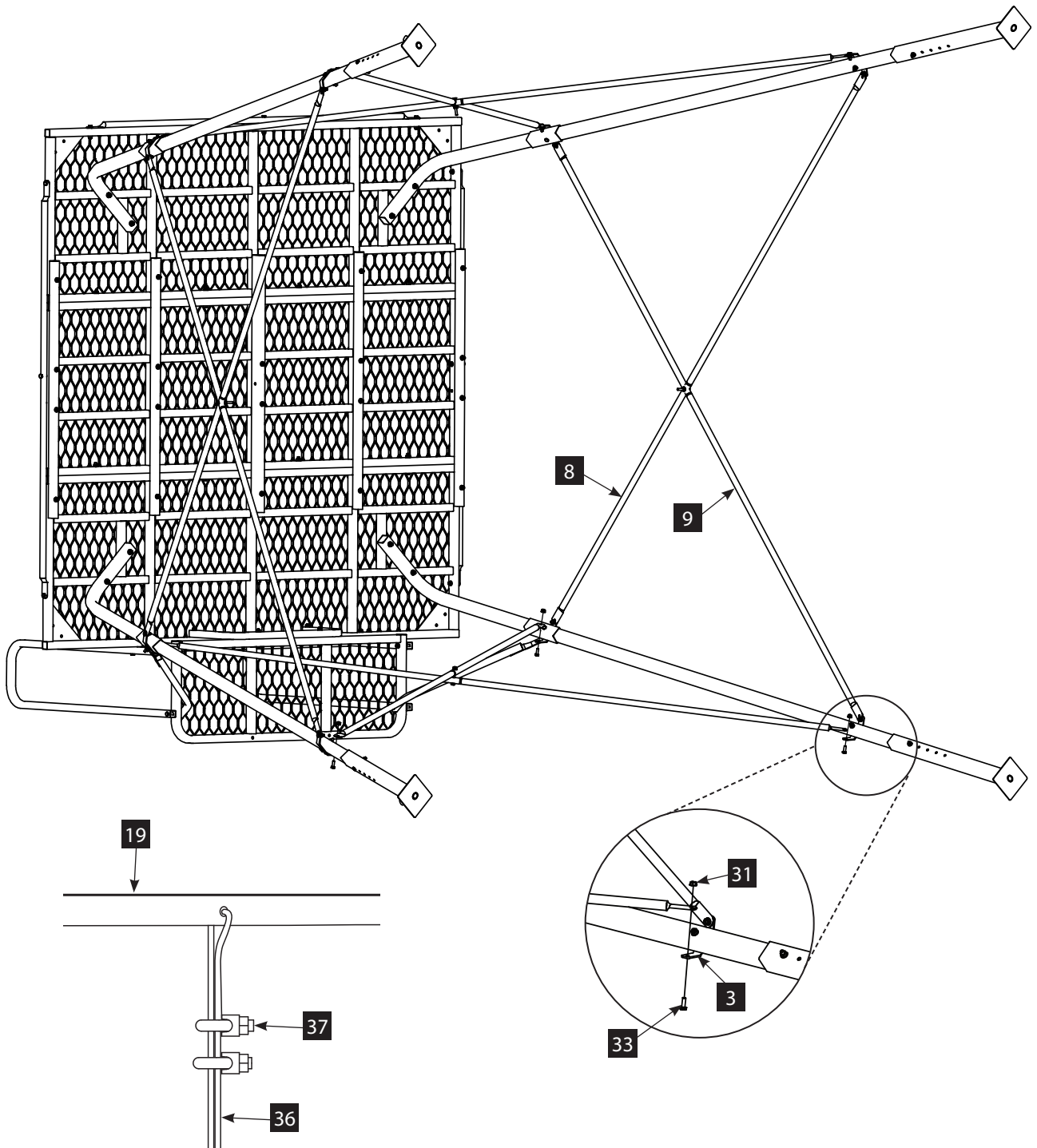


STEP 12

13. While paying attention to the orientation of the cross braces, attach the cross brace assemblies to the inside of the leg brackets (3) using a 1/4 X 3/4 IN bolt (33) and nut (31) on each end. The female cross braces (8) should be closer to the platform side of the tower as shown.

*Securely tighten all loose hardware at this time.*

Attach one end of the cable (36) to the hole in the center platform brace (19) using two cable clamps (37).

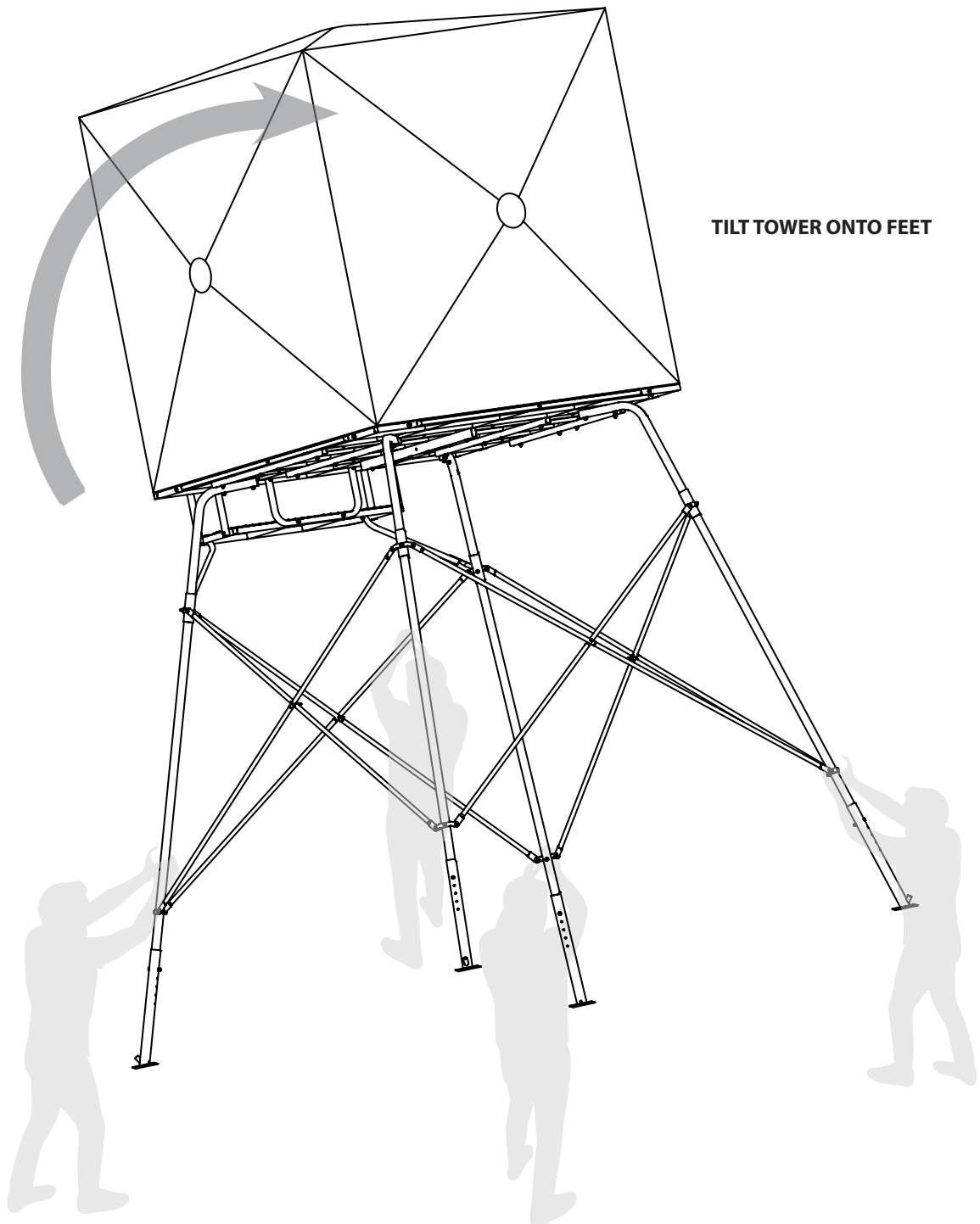


STEP 13

## HAND UPLIFTING METHOD

14. With **at least four people**, carefully lift on the platform side of the tower and tilt onto its feet. **DO NOT** lift only on the blind!

**SEE PAGE 19-21 FOR ADDITIONAL UPRIGHTING INSTRUCTIONS.**



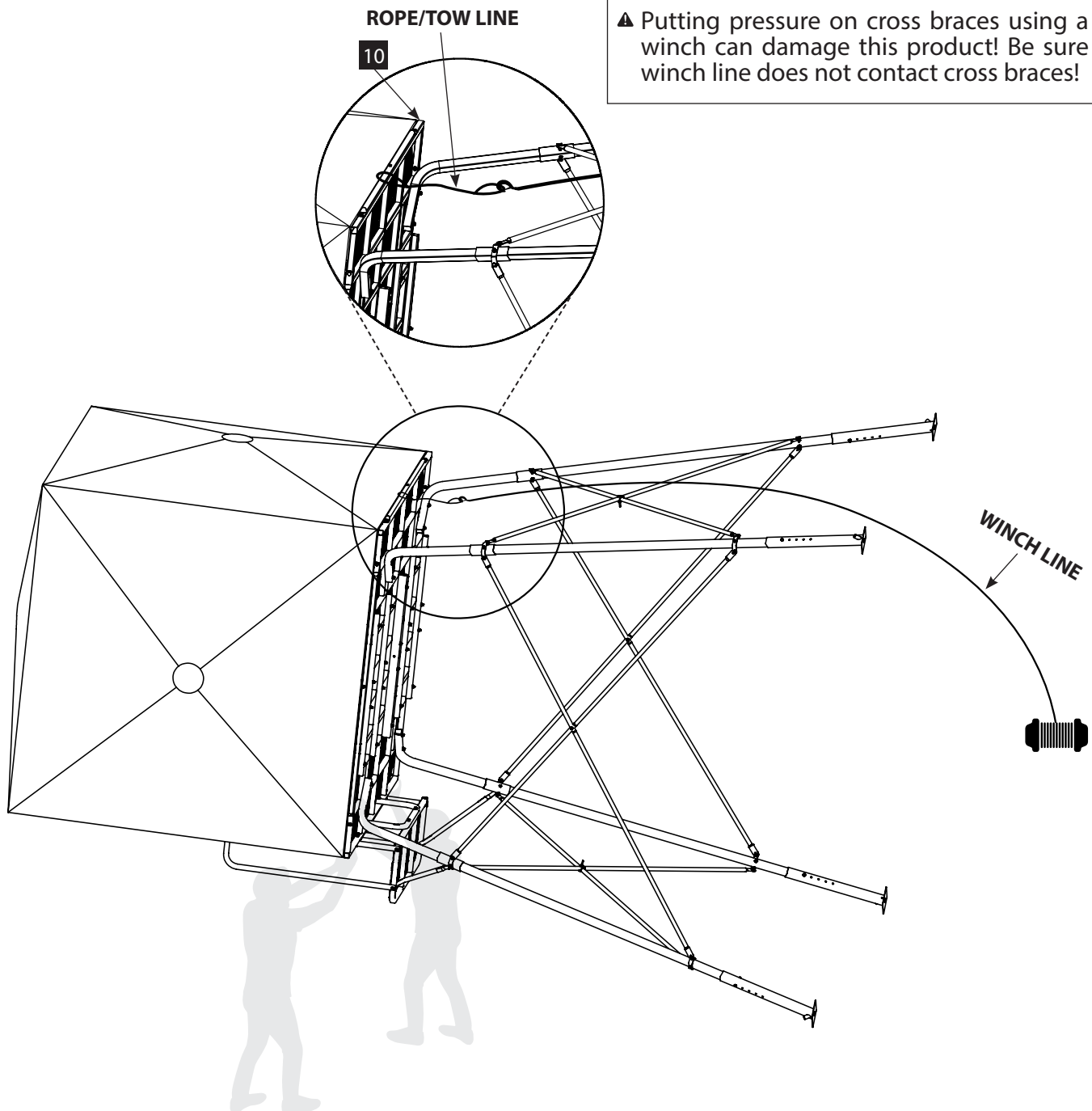
STEP 14

## WINCH ASSIST METHOD

If you plan to use a winch to upright the tower, start by attaching a rope or tow line (not included) around the edge of the platform (10) that is opposite to the door. Attach the winch to the tow line over the top of cross braces. Before uprighting, sink the lower leg assemblies into the ground by stepping on them, **DO NOT** use a hammer. Position the winch approximately 20 feet from the tower. Begin winching the tower up while at least two people lift up on the platform. This will take the pressure from the winch off the cross braces.

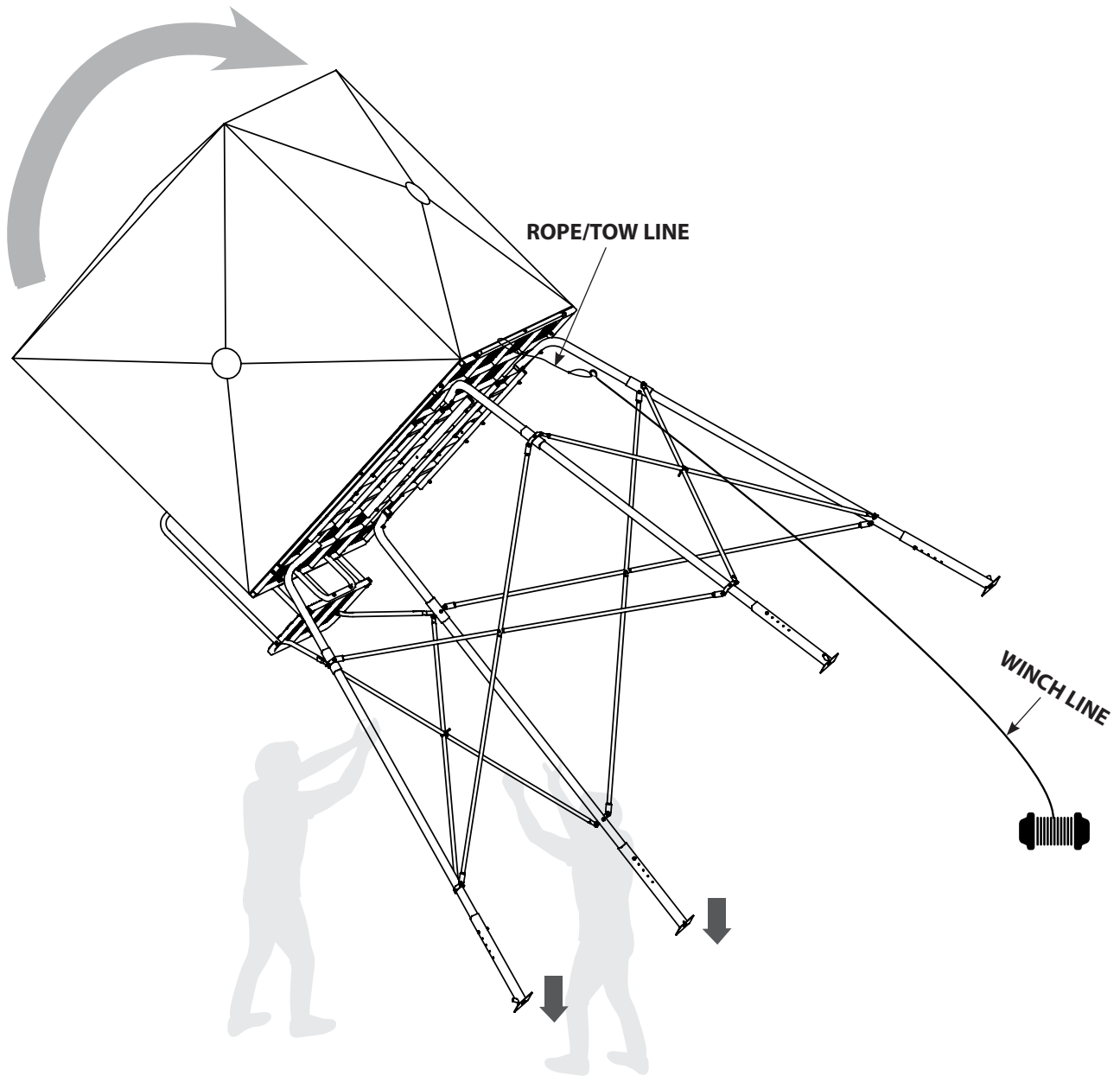
### **WARNING**

- ▲ Putting pressure on cross braces using a winch can damage this product! Be sure winch line does not contact cross braces!



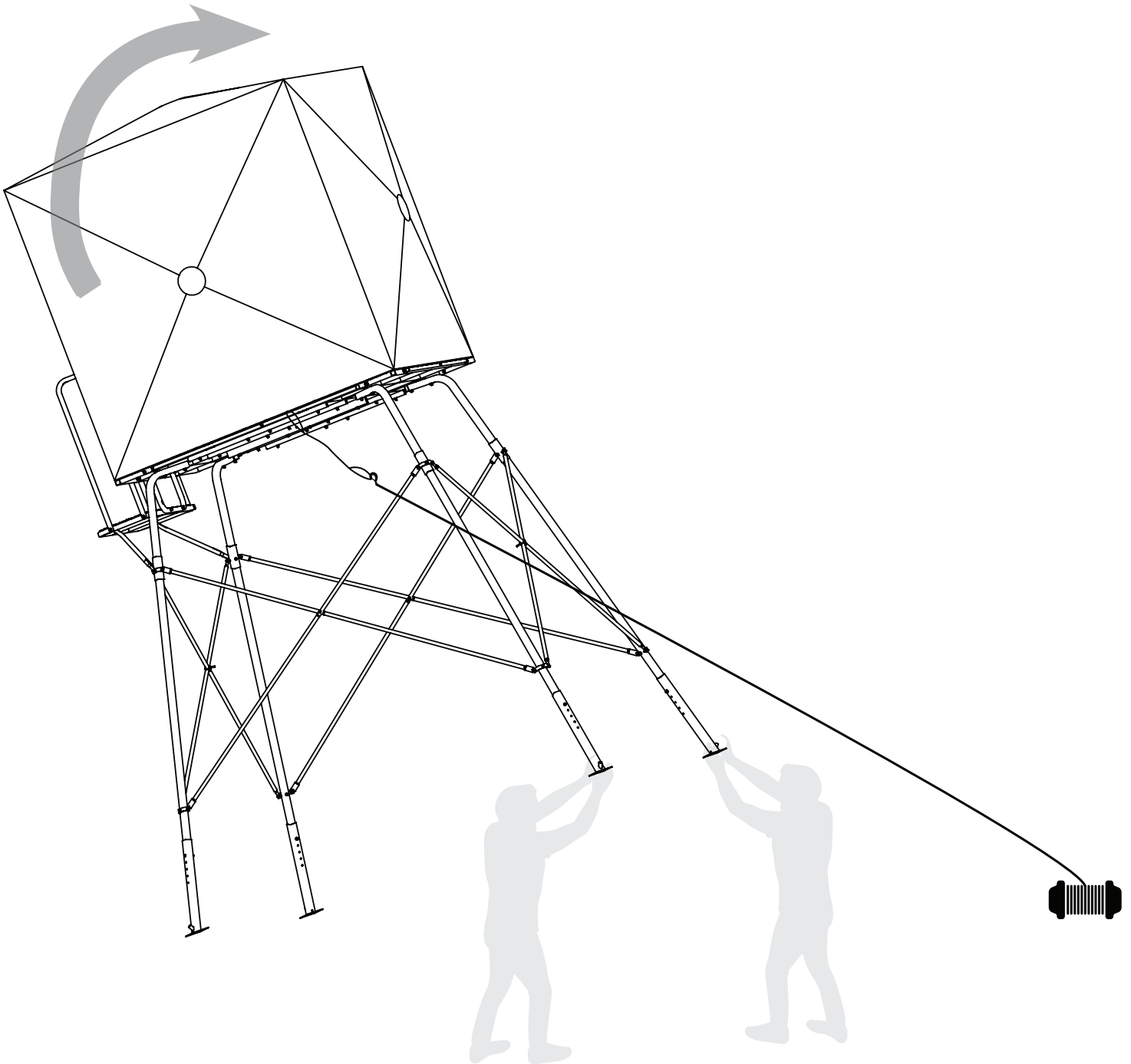
## WINCH ASSIST METHOD CONT.

Once the winch is no longer contacting the cross braces, the two people lifting the platform should move to the bottom leg assemblies while maintaining contact to keep them in place.

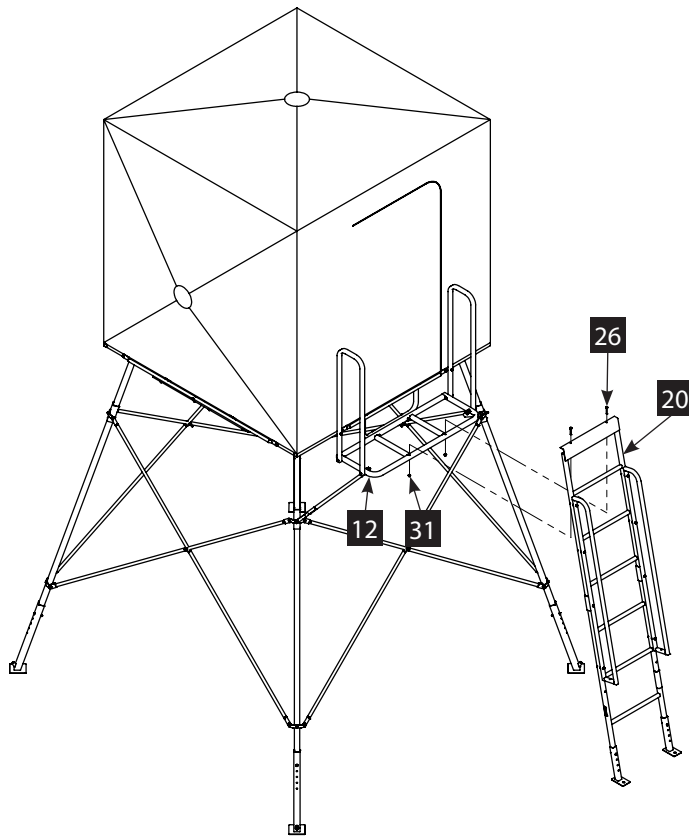


## WINCH ASSIST METHOD CONT.

As the tower nears the tipping point, the two people should move to the upper leg assemblies to help with the final tower descent.



STEP 15



15. Using a step ladder, attach the ladder assembly to the entry platform (12) by positioning the attachment plate on the top ladder section (20) on top of the entry platform (12) and by using two 1/4 X 1-3/4 IN bolts (26) and nuts (31). **DO NOT** climb the tower's ladder to bolt it to the entry platform!

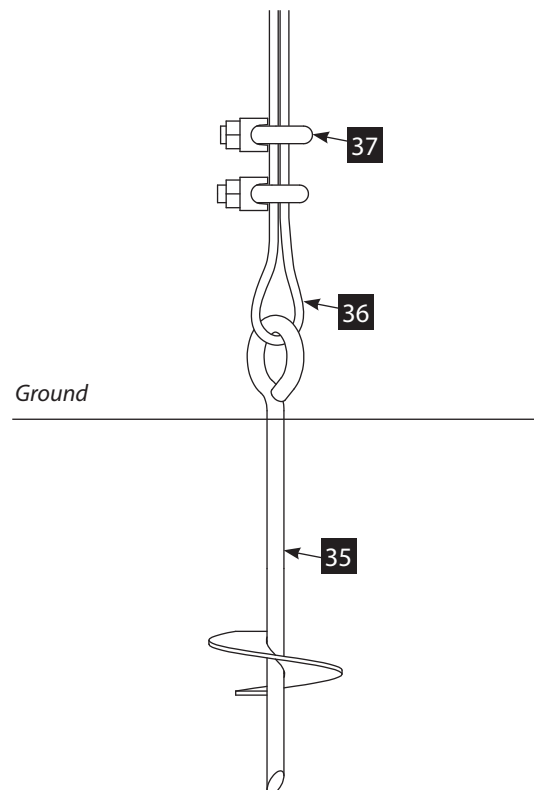
*Securely tighten all loose hardware at this time.*

At this time you should level the platform by adjusting the leg and ladder feet.

16. After the platform has been leveled, to secure the tower to the ground, first start the auger (35) into the ground directly under the center of the platform by using one of the ground stakes (1) as a "T" handle through the loop in the top of the auger to help partially screw it in. Leave approximately 6" of the auger above the ground at this time.

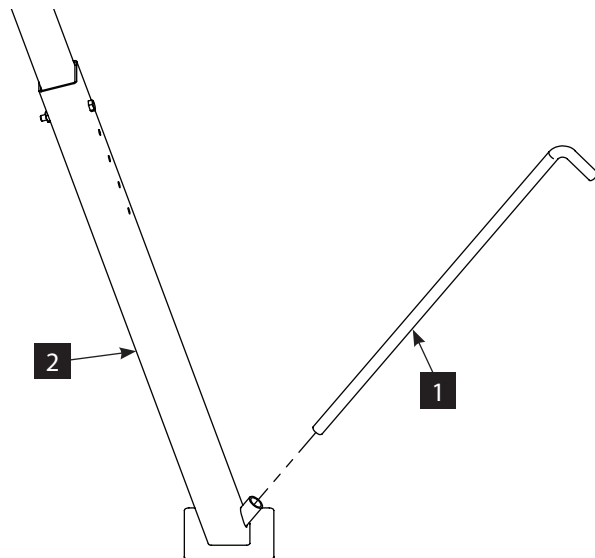
Attach cable (36) to the auger with two cable clamps (37) as shown. Screw the auger further into the ground until the cable is pulling down tightly on the platform.

**NOTE: DO NOT over-tighten cable, damage or distortion to the platform may occur.**



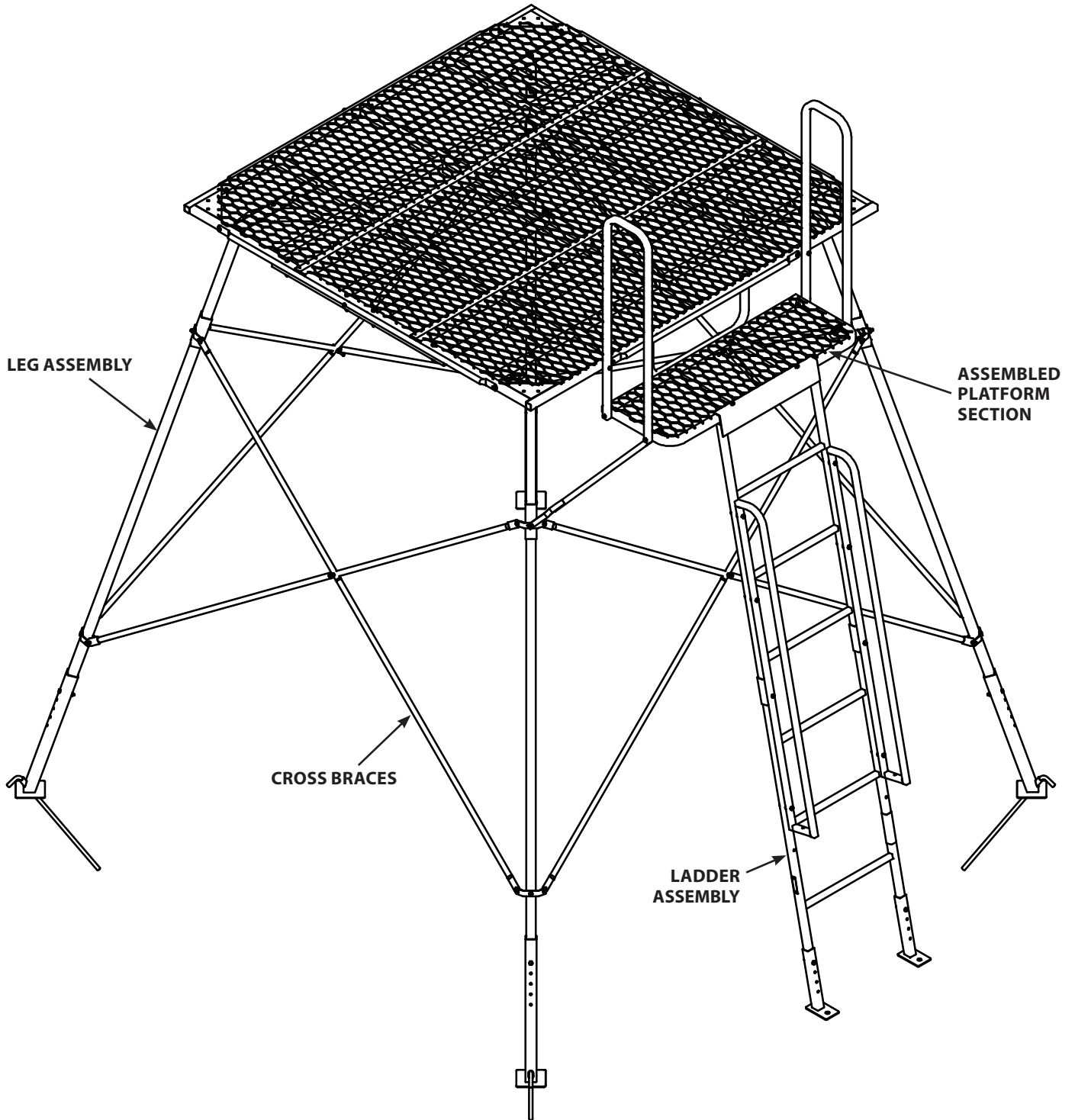
STEP 16

STEP 17

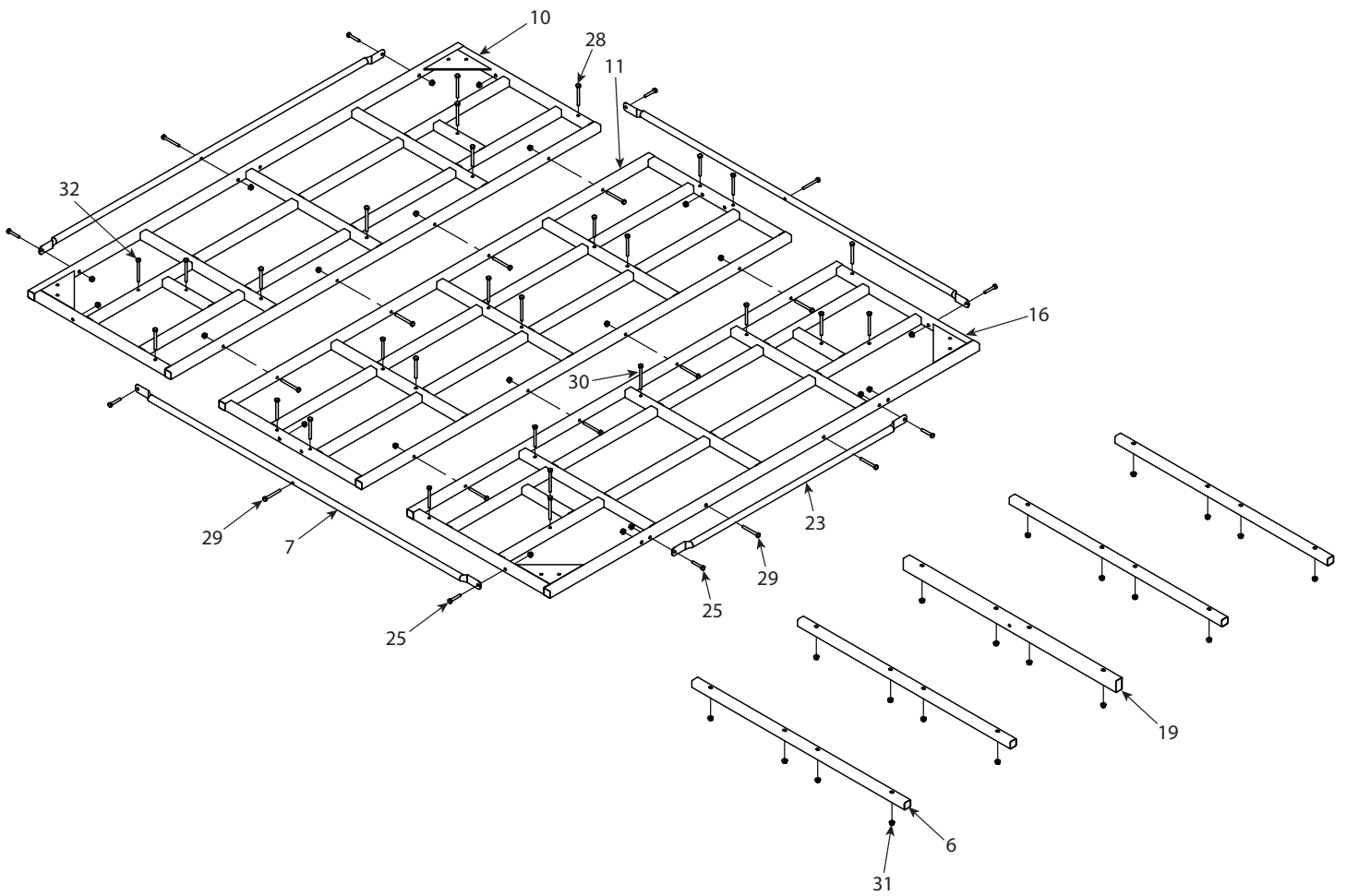


17. Using a hammer, drive the four ground stakes (1) through the holes in the tower feet (2).

**FINISHED TOWER**

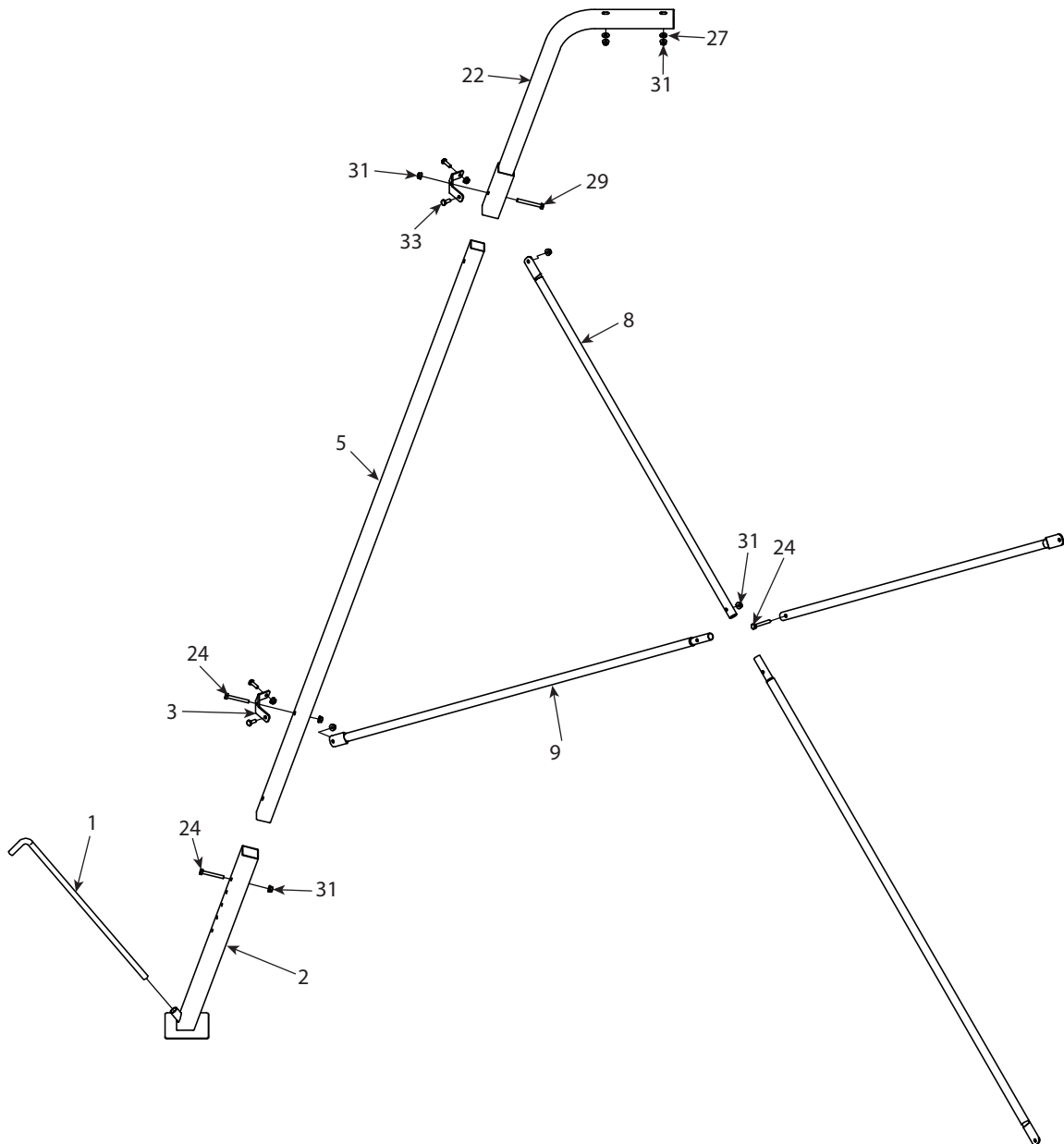


## ILLUSTRATED PARTS BREAKDOWN - PLATFORM

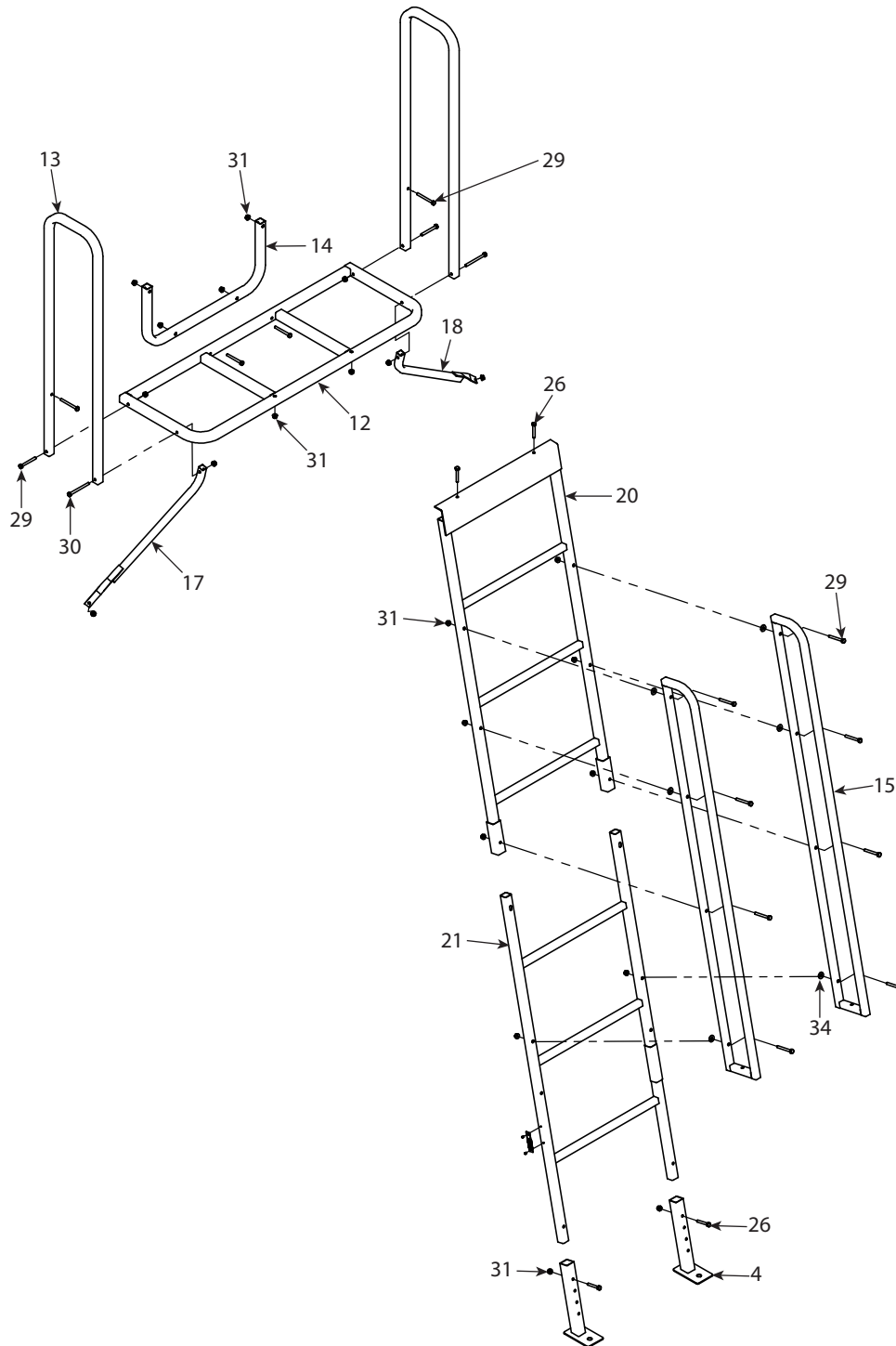


*mesh hidden  
for clarity*

## ILLUSTRATED PARTS BREAKDOWN - TOWER LEGS



## ILLUSTRATED PARTS BREAKDOWN - LADDER



*mesh hidden  
for clarity*

## TOWER PARTS LIST

ITEM #	PART #	DESCRIPTION	QTY.
1	24099	GROUND STAKE	4
2	35499	ADJUSTABLE FOOT	4
3	35511	LEG BRACKET	8
4	35535	ADJUSTABLE LADDER FOOT	2
5	37554	BOTTOM LEG	4
6	37556	PLATFORM BRACE	4
7	38513	BLIND ATTACHMENT TUBE LONG	3
8	38514	CROSS BRACE FEMALE 38 IN	8
9	38515	CROSS BRACE MALE 52 IN	8
10	40169	REAR PLATFORM	1
11	40171	MIDDLE PLATFORM	1
12	40458	ENTRY PLATFORM	1
13	40557	ENTRY PLATFORM HAND RAIL	2
14	40560	ENTRY PLATFORM BRACE	1
15	44072	LADDER HAND RAIL	2
16	44077	FRONT PLATFORM	1
17	44079	ENTRY PLATFORM BRACE - LEFT SIDE	1
18	44080	ENTRY PLATFORM BRACE - RIGHT SIDE	1
19	44082	PLATFORM CENTER BRACE	1
20	44095	TOP LADDER SECTION	1
21	44117	BOTTOM LADDER SECTION	1
22	44130	LEG TO PLATFORM ATTACHMENT	4
23	44452	BLIND ATTACHMENT TUBE SHORT	1
24	48153B	BOLT 1/4 X 2 IN	12
25	48240B	BOLT 1/4 X 1-1/2 IN	8
26	48250B	BOLT 1/4 X 1-3/4 IN	4
27	48261B	STEEL WASHER 1/4 IN	8
28	48270B	BOLT 1/4 X 2-1/2 IN	24
29	48271B	BOLT 1/4 X 2-1/4 IN	23
30	48280B	BOLT 1/4 X 3 IN	6

ITEM #	PART #	DESCRIPTION	QTY.
31	48752B	1/4 NUT	101
32	67540B	BOLT 1/4 X 2-3/4 IN	8
33	8930B	BOLT 1/4 X 3/4 IN	16
34	WN516	PLASTIC WASHER 1/4 IN	6
ITEMS BELOW NOT SHOWN			
35	24100	GROUND AUGER	1
36	44541	TIE DOWN CABLE	1
37	48650	CABLE CLAMP 1/8 IN	4
27	48261B	STEEL WASHER 1/4 IN	8
31	48752B	1/4 NUT	8
38	63282	BOLT 1/4 X 1 IN	8







# **CAGE**™

**PERMANENT HUB BLINDS**

Rivers Edge® Treestands,  
A Division of Ardisam, Inc.  
1730 Industrial Avenue, PO Box 755  
Cumberland, WI 54829

Phone: 800-345-6007  
Fax: 715-822-2124  
[www.cageblinds.com](http://www.cageblinds.com)



\*All weights, specifications and features are approximate and are subject to change without notice. Due to continuous product improvements, product images may not be exact. Warning labels in some product images may have been removed for photography purposes only. Props shown in photos not included. Some assembly may be required.