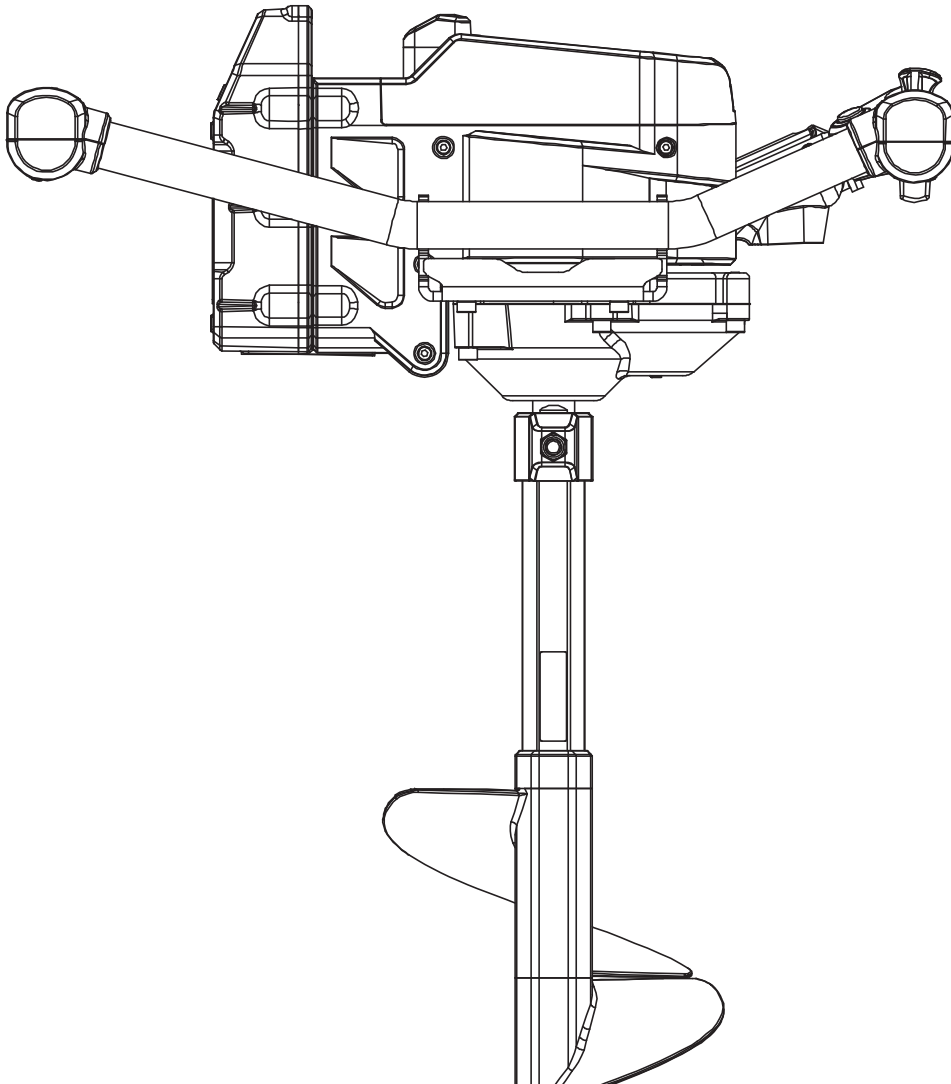


ELECTRIC ICE AUGER

**MODEL 60**

***Jiffy***  
**ICE FISHING**®



**OPERATOR'S MANUAL**



Find parts online at [www.ardisam.com](http://www.ardisam.com), or call **800-345-6007**

49434 • REV1 • 051425  
©Copyright 2025 Ardisam, Inc. | All Rights Reserved.

## INTRODUCTION

Thank you for purchasing a Jiffy® Model 60 electric ice auger from Ardisam, Inc.

We have worked to ensure that this ice auger meets high standards for usability and durability. With proper care, your ice auger will provide you many years of service. Please take the time to read this manual carefully to learn how to correctly operate and maintain your ice auger. Save these instructions for future reference.

This manual contains important information on **SAFETY**, **ASSEMBLY**, **OPERATION**, and **MAINTENANCE**. This manual should remain with the unit even if it is resold. Ardisam, Inc. reserves the right to change or alter this manual without notice.

**NOTE: This manual may contain information for multiple Model 60 auger models.**

## CONTENTS

Introduction / Registration and Service.....	2
Important Safety Precautions .....	3-4
Unpacking and Assembly .....	5
Charging and Installing Battery .....	6
Operation Instructions .....	7
Maintenance and Storage .....	8
Service and Repairs .....	8
Troubleshooting .....	9
Warranty .....	10

## REGISTRATION AND SERVICE



Jiffy® products must be registered within 30 days from the date of purchase to be covered under warranty. For more information regarding your coverage and how to complete your registration, please visit [www.jiffyicefishing.com/warranty](http://www.jiffyicefishing.com/warranty).

Our Customer Service department can also be reached at **(800) 345-6007** Monday–Friday.

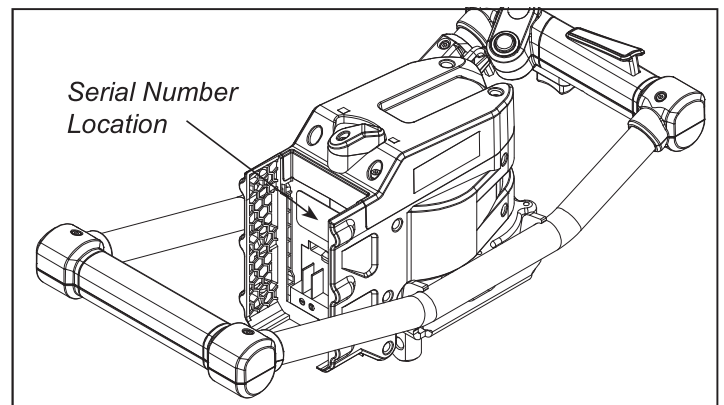
Record the product serial number and your date of purchase in the space provided below for easy reference when ordering parts or requesting technical support in the future. Save your proof of purchase, and keep it with this manual.

## SERIAL NUMBER

---

## DATE OF PURCHASE

---



## WARNINGS AND SAFETY INFORMATION IN THIS MANUAL

### SAFETY MESSAGES

Your manual contains special messages to bring attention to potential safety concerns, as well as helpful operating and servicing information. General information is given throughout the manual that may help in the operation or service of the product. Please read all the information carefully to avoid injury and/or machine damage.



This symbol is used to point out important safety instructions which if not followed could endanger your personal safety.

### **WARNING**

Warning indicates a hazard which, if not avoided, could result in death or serious injury and/or property damage.

### **CAUTION**

Caution indicates you can be hurt or your equipment damaged if the safety instructions are not obeyed.

### **IMPORTANT**

This indicates helpful information for proper assembly, operation, or maintenance of your equipment.

### OPERATOR'S RESPONSIBILITY

Accurate, safe and effective use of this product is the operator's responsibility.

- Read and follow all safety instructions.
- Maintain this machine according to directions and schedule included in this operator's manual.
- Ensure that anyone who uses the machine is familiar with and understands all controls and safety precautions.
- Do not discard battery into trash can. Discard the battery according to your local, state, federal or country's regulations.

### BEFORE OPERATING UNIT:

Please read this section carefully. Read entire operating and maintenance instructions. Failure to follow instructions could result in injury or death. Operate the machine according to the safety instructions outlined here and inserted throughout the text. Anyone who uses this machine must read the instructions and be familiar with the controls.

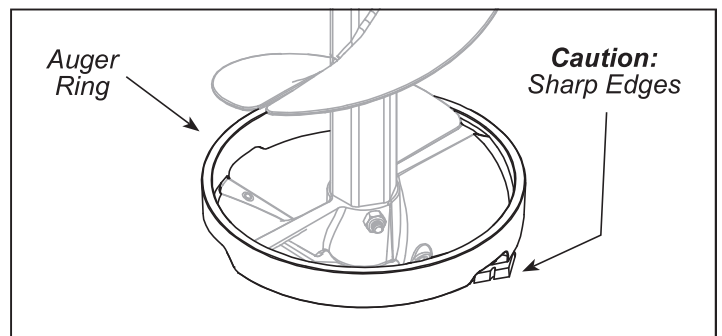
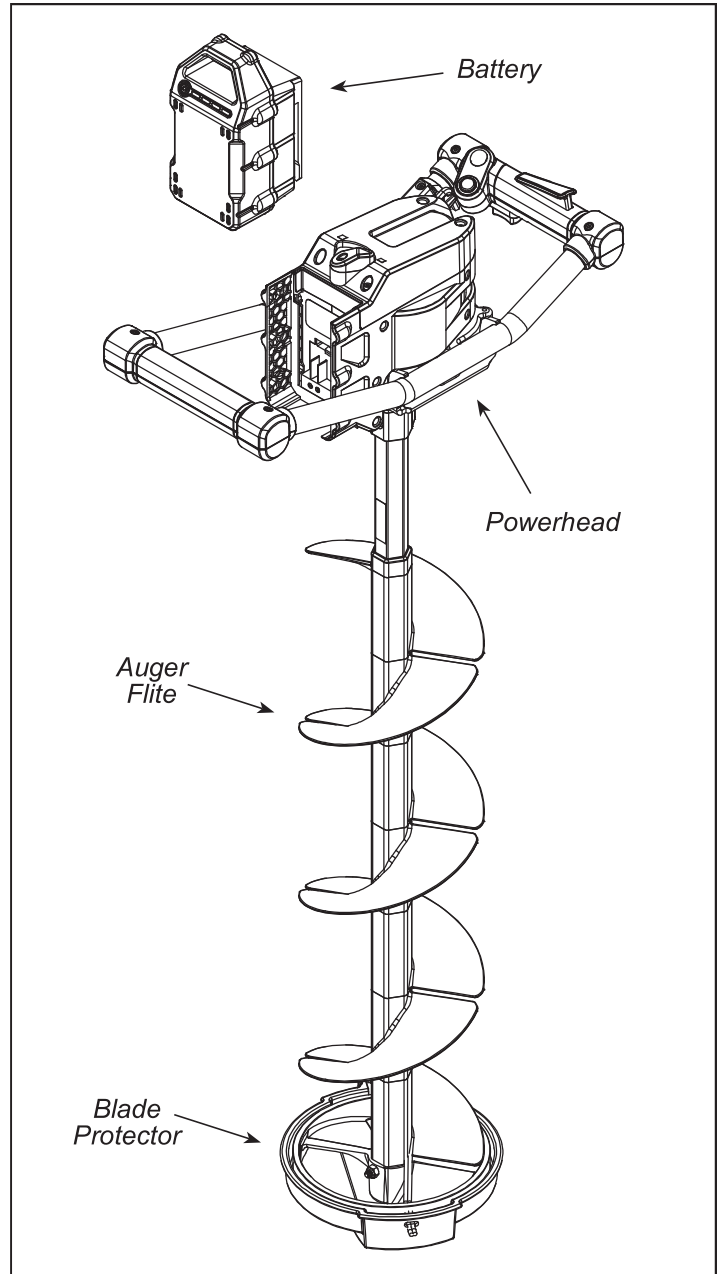
### **WARNING**

**Read and comply with entire operating and maintenance instructions for this machine, in addition to all safety instructions. Failure to follow and/or comply with these instructions could result in loss of machine control, serious personal injury or death to you and/or bystanders, and equipment and property damage. Operate the machine according to the safety instructions outlined here and inserted throughout the text. Anyone who uses this machine must read the instructions and be familiar with the controls.**

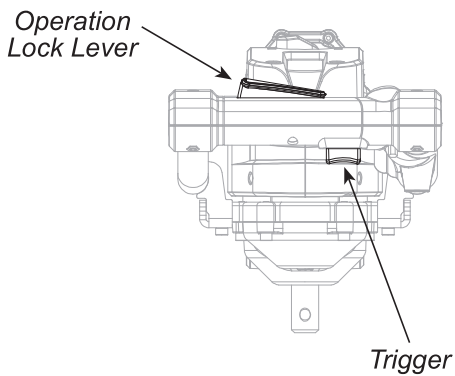
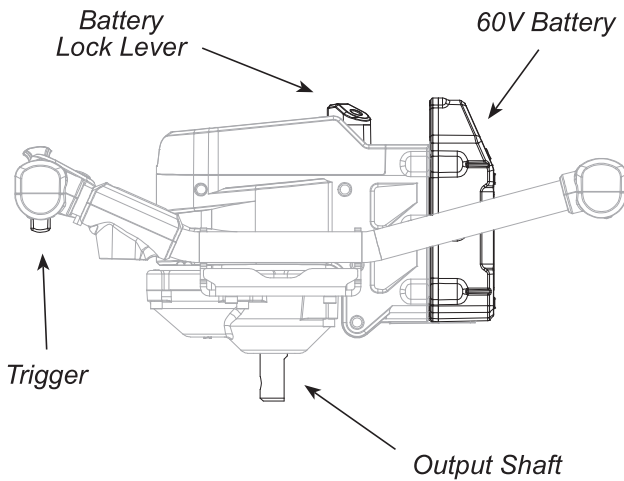
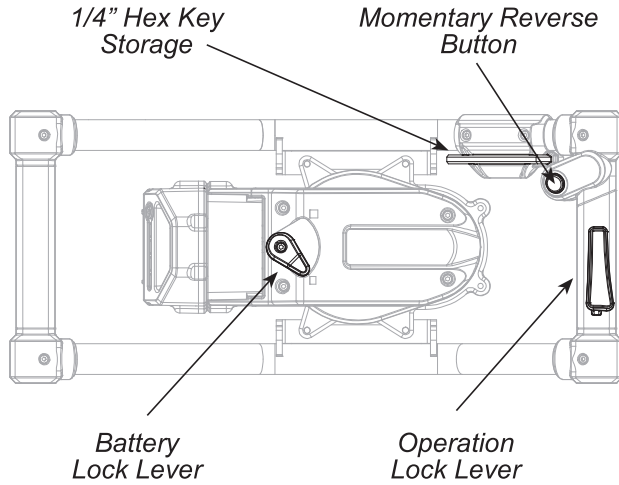


## IMPORTANT SAFETY PRECAUTIONS:

- The ice blades are very sharp. Use extreme caution when drilling a hole or replacing the blades. Put the blade guard on after each use.
- Always keep hands, feet, hair, drawstrings, scarves, hats and loose clothing away from any moving parts on the unit.
- **DO NOT** allow children to operate this unit. **DO NOT** allow adults to operate the unit without proper instruction.
- **DO NOT** operate any power equipment under the influence of alcohol or drugs.
- Keep all screws, nuts and bolts tight.
- The battery must be removed before any repairs are attempted.
- If the unit becomes stuck in a hole, remove the battery before attempting to remove the unit manually.
- **DO NOT** use this product for anything other than its intended purpose.
- **DO NOT** use accessories or attachments other than those available from Jiffy®.
- **DO NOT** alter this product in any manner; doing so is dangerous and will void the warranty.
- **DO NOT** continue to use this product in the event of a mechanical failure.
- This product produces considerable torque that is felt by the operator. Make sure your feet are firmly planted and that the handles are held firmly while operating.
- During operation, the unit could stop. If this happens, release the operating trigger. Reposition your feet and grip the handles tightly, then squeeze the operating trigger and lift unit gently.
- When drilling ice holes, do not push down on the unit. If auger begins to drill slowly, blades may need to be replaced.
- **DO NOT** discard the battery into a trash can. Discard the battery according to your local, state, federal or country regulations.



**MODEL 60 POWERHEAD FEATURES:**



**ASSEMBLY:**

**TOOLS REQUIRED:**

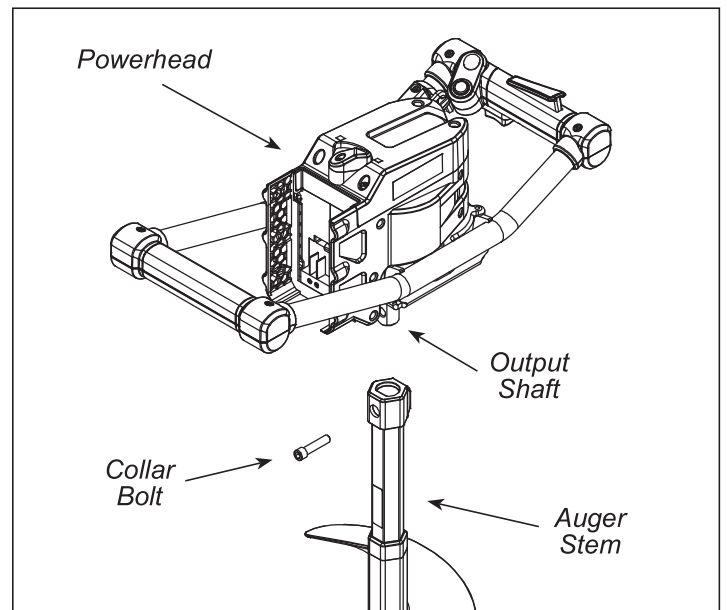
- 1/4" hex key (included on powerhead)

**TO ASSEMBLE THE AUGER TO THE POWERHEAD**

1. Use the included 1/4" hex key located on the powerhead to remove the collar bolt from the stem of the auger.
2. Insert the output shaft of the powerhead into the stem of the auger and align the hole in the stem with the hole in the output shaft.
3. Replace the bolt in the stem of the auger and tighten firmly with the 1/4" hex key.

**Optional:**

Apply a small amount of oil or grease to the output shaft before assembly to help aid with future disassembly.

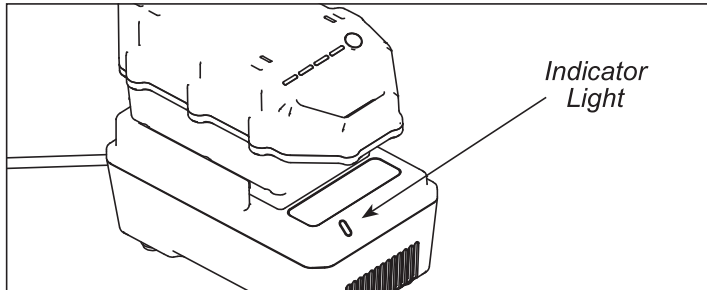


## CHARGING THE BATTERY:

1. Connect the charger to a standard 120-volt outlet; a solid red light should appear on the charger.

**NOTE: Always connect the charger to a standard 120-volt wall outlet before inserting the battery.**

2. Slide the battery into the charger, making sure the battery pack is fully seated.
3. The charger indicator light should flash green to indicate the battery is charging.



4. Leave the battery on the charger until the indicator light turns solid green, meaning the battery is fully charged.
5. Once charging is complete, unplug the charger from the outlet, then disconnect the battery from charger.

**NOTE: Re-charging the battery after each use is best for the longterm life of the battery.**

## ⚠ IMPORTANT

Do not leave the battery on the charger after charging is complete. Unplug the charger from the wall and remove the battery for use/storage.

## CHARGER INDICATOR LIGHTS AND MEANINGS

LIGHT ACTION	MEANING
Flashing Green	Battery Charging
Solid Green	Battery Fully Charged
Flashing Red	Battery Over/Under Temperature
Solid Red	No Battery Installed

## ⚠ IMPORTANT

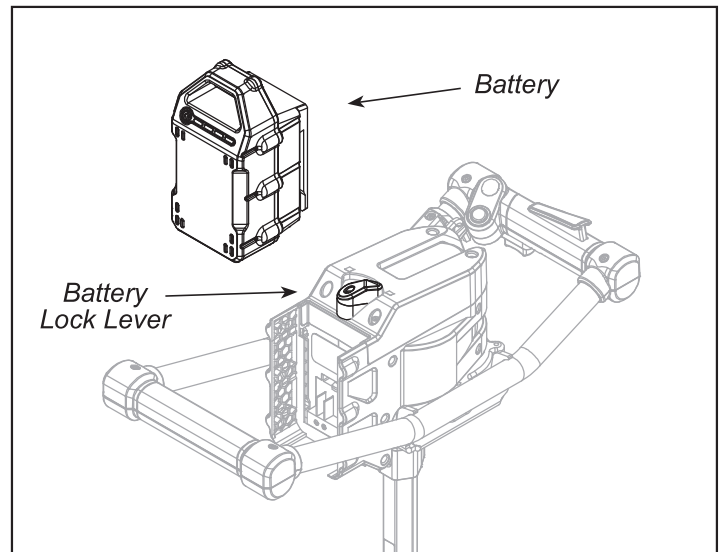
Battery should be fully charged before first use. It is shipped in a partially charged state.

## INSTALLING THE BATTERY:

1. On the powerhead, turn the battery lock lever counterclockwise, to the unlocked position.

**NOTE: The battery lock lever must be in the unlocked position before the battery can slide onto the powerhead.**

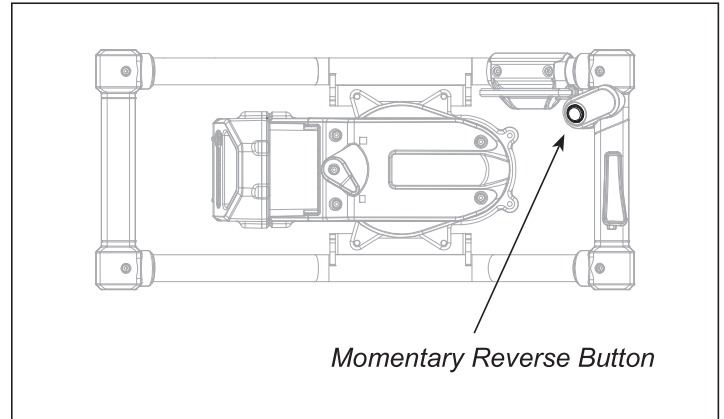
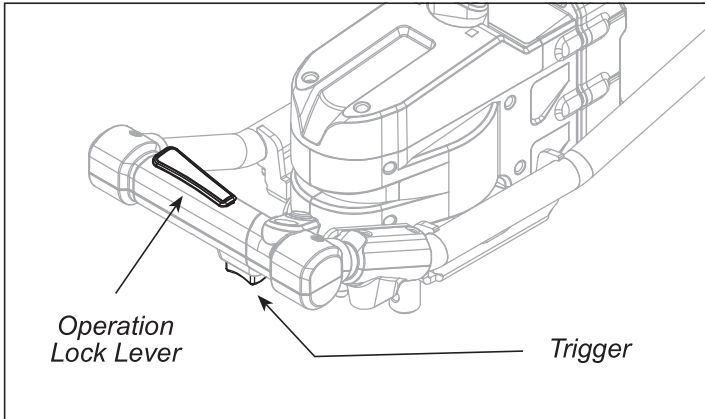
2. Slide the battery onto the powerhead until it is fully seated.
3. Turn the battery lock lever clockwise, returning it to the locked position and securing the battery in place.



## ⚠ IMPORTANT

Do not leave the battery on the powerhead when auger is not in use. Always detach the battery when not actively using the auger.

## OPERATION INSTRUCTIONS:



### **⚠ IMPORTANT**

The Model 60 features a variable speed trigger mechanism. Drilling speeds can be adjusted by the amount of pressure applied to the trigger by the operator.

### CUTTING A HOLE

1. Make sure your footing is secure and that you have the unit in a vertical position, firmly in your hands.
2. Depress the Operation Lock Lever with your palm, then squeeze the Trigger with your finger below. Following a 1/2 second safety delay, the auger will start drilling.
3. To stop drilling, release the Trigger.
4. When the auger is not in use, remove the battery.

**NOTE: For best experience on the ice, remove the battery from the powerhead and keep it in a warm place while not in use (while you're fishing).**

### REVERSE BUTTON OPERATION

The Model 60 features a Reverse function that allows you to flush away slush or unwanted debris back down the hole you've cut.

To activate Reverse:

1. Make sure your footing is secure and that you have the unit in a vertical position, firmly in your hands.
2. Position the auger halfway down the hole you want to clear. The top of the auger flites must be above the water and slush.
3. Hold the Momentary Reverse Button with your thumb, then operate the auger regularly as if drilling a hole; depress the Operation Lock Lever with your palm and squeeze the Trigger with your finger below.

**NOTE: All three buttons must be engaged at the same time to activate Reverse.**

4. With the auger spinning in the reverse direction, lower the auger into the hole. The ring of the auger bottom must exit through the bottom of the hole to disperse and push the slush away.
5. Hold the auger below the bottom of the hole for 2-3 seconds, then release the operating trigger and slowly remove the auger from the hole.
6. Repeat the above steps as needed to clear the hole to your satisfaction.

**NOTE: In this process, water may come back up the hole and overflow. Keep the powerhead clear of excess water during operation.**



## MAINTENANCE AND STORAGE

Good maintenance is essential for safe, economical, and trouble-free operation. To help you properly care for your powerhead, battery, and auger bit, read the maintenance schedule below and observe these recommendations to extend the life of your auger. These maintenance guidelines apply to normal operating conditions.

### MAINTENANCE SCHEDULE

MAINTENANCE ITEM		BEFORE EACH USE	EVERY 500 CHARGES	AS NEEDED
Check bolts and nuts		X		
Battery	Charge	X		
	Replace		X	
Replace Blades/Point				X

### IMPORTANT

**Do not leave the battery on the powerhead when transporting or storing your auger. Always detach the battery when not actively using the auger.**

## LONG-TERM STORAGE

If your auger is not planned to be operated for more than one month, prepare it for long-term storage.

- Store battery in a cool dry place.

**NOTE: Optimal storage temperature for your battery is 68 °F.**

- Avoid leaving the battery attached to the charger or powerhead for a prolonged period of time.

**NOTE: You don't need to charge your battery during long-term storage unless the charge drops below 2 lights.**

- For best results, store your battery with 2 or 3 indicated lights of charge.

**NOTE: You don't need to completely charge your battery prior to long-term storage.**

## SERVICE AND REPAIR

### SERVICE INFORMATION

Jiffy® products are designed and built with quality and durability to stand the test of time in mind. However, no amount of careful design by us or careful maintenance by you can guarantee a repair-free life for your auger.

Most repairs will be minor, and easily diagnosed or fixed by following the suggestions in the **Troubleshooting Guide** included in this manual. This guide is intended to help you pinpoint the causes of common problems and identify potential remedies.

For more complicated issues or repairs, please contact our Ardisam Customer Service department. This knowledgeable team is always glad to answer any questions you have, or help you find suitable assistance.

We are available year-round, Monday–Friday, by phone at **(800) 345-6007** or by email at **info@jiffyicefishing.com**.

### ORDERING REPLACEMENT PARTS

Replacement parts can be found online or purchased directly through our Customer Service. Call, email, or visit [www.ardisam.com](http://www.ardisam.com).

An illustrated parts breakdown is included with your auger separately to help identify the particular components of your auger when looking for replacements.

## TROUBLESHOOTING GUIDE

DEVICE	PROBLEM	POSSIBLE CAUSE	REMEDY/ACTION
Charger	Battery Charger LED does not indicate activity when the charger and battery are plugged in	Battery Charger is defective	Replace Battery Charger
Charger	Battery Charger LED flashes RED or GREEN, or is solid GREEN when the battery is not attached to it	Battery Charger is defective	Replace Battery Charger
Charger	Battery Charger LED flashes RED once and stops for two seconds. It repeats five times, when the battery is attached to it	Battery is too cold	Take Battery to warm location for 60 minutes
Charger	Battery Charger LED flashes RED twice and stops for two seconds. It repeats five times, when the battery is attached to it	Battery is too hot	Take Battery to cool location for 60 minutes
Charger	Battery Charger LED flashes RED five times and stops for two seconds. It repeats five times, when the battery is attached to it	Battery voltage is too low	Replace Battery
Charger	Battery Charger LED flashes green when the battery is installed and shortly thereafter turns solid green. This process repeats itself. However, the battery is not fully charged when you depress the battery button	Battery/Charger is too hot/cold	Take Battery/Charger to warm/cool location
Battery	Battery LEDs do not illuminate	Battery is dead or defective	Charge or replace the Battery
Battery on Powerhead	Powerhead will NOT start, and the Battery LEDs do NOT illuminate	Battery is dead or defective	Charge or replace the Battery
Battery on Powerhead	Drilling lights come on, powerhead will not start, and battery indicates 2+ LEDs	Battery is too cold	Take Battery to warm location for 60 minutes
Battery on Powerhead	Drilling lights come on, powerhead runs smoothly with no load on it, but continuously runs—stops—runs when cutting ice (battery indicates 2+ LEDs)	Battery core temperature is too cold	Take Battery to warm location for 60 minutes
Battery on Powerhead	Battery LED1-LED4 flashes two times, stops for 1.2 seconds and then turn off after five occurrences during operation	Discharge high temperature	Take Battery to cool location for 60 minutes
Battery on Powerhead	Battery LED1-LED4 flash four times, stops for 1.2 seconds and then turn off after five occurrences during operation	Overvoltage protection	Contact Customer Service
Powerhead	Powerhead makes a "clicking noise" from the top of the motor cover, and will not turn. Battery LEDs indicate a full charge. With Battery disconnected, transmission output can be turned by hand, in either direction	Motor is trying to turn, but cannot due to low or incomplete voltage to the motor	Remove motor cover and check connections. If all connections are tight, replace the controller
Powerhead	Powerhead only runs in forward	Reverse switch is faulty (Open circuit) or has become unplugged inside handlebar control, or controller is faulty	Remove handlebar control, replace Reverse switch or re-connect wiring. (If switch and wiring is correct, replace the Controller).
Powerhead	Powerhead only runs in reverse	Reverse switch is faulty (Closed circuit) or has become unplugged inside handlebar control, or controller is faulty	Remove handlebar control, replace Reverse switch or re-connect wiring. (If switch and wiring is correct, replace the Controller).
Auger Bit	Auger spins at normal speed, but cuts slowly through the ice	Auger blades are dull	Replace Auger blades
Auger Bit	Hole count has drastically and quickly reduced and cannot be increased/restored by switching batteries	Auger blades are dull	Replace Auger blades
Auger Bit	Auger drills a few inches into the ice and then just spins	Auger blades are dull	Replace Auger blades



# JIFFY® ICE FISHING ELECTRIC ICE AUGER

## Warranty Terms and Conditions

### PRODUCT WARRANTY: 5-YEAR LIMITED WARRANTY\*

Ardisam, Inc., warrants this Jiffy Electric Ice Auger under a five-year limited warranty to be free from defects in materials or workmanship or both for a period not exceeding sixty consecutive months from the date of original purchase by the first retail consumer or commercial end user. "Consumer use" means personal recreational use by a retail consumer. "Commercial use" or "commercial application" means all other uses, including use for commercial, income producing or rental purposes. Once a product has experienced commercial use, it shall thereafter be considered as a commercial use product for purposes of this warranty. This warranty applies to the original owner that provides a proof of purchase. The warranty is not transferable. The warranty period begins on the date of purchase by the first retail consumer or commercial end user, and continues for the sixty month consecutive period thereafter. Any unit used in a commercial application is covered for a period of 90 days after purchase. For the warranty to be valid, the product must be registered online at [www.jiffyicefishing.com](http://www.jiffyicefishing.com), or the warranty card must be filled out and received by Ardisam, Inc., within 30 days of purchase. Ardisam, Inc. shall not be obligated to ship any repair or replacement product to any location outside of the United States of America or Canada.

### BATTERY WARRANTY: 3-YEAR LIMITED WARRANTY\*

Ardisam, Inc., warrants this Jiffy battery under a three-year limited warranty to be free from defects in materials or workmanship or both for a period not exceeding thirty-six consecutive months from the date of original purchase by the first retail consumer or commercial end user. "Consumer use" means personal recreational use by a retail consumer. "Commercial use" or "commercial application" means all other uses, including use for commercial, income producing or rental purposes. Once a product has experienced commercial use, it shall thereafter be considered as a commercial product for purposes of this warranty. This warranty applies to the original owner that provides a proof of purchase. The warranty is not transferable. The warranty period begins on the date of purchase by the first retail consumer or commercial end user, and continues for the thirty-six month consecutive period thereafter. Any unit used in a commercial application is covered for a period of 90 days after purchase. For the warranty to be valid, the product must be registered online at [www.jiffyicefishing.com](http://www.jiffyicefishing.com), or the warranty card must be filled out and received by Ardisam, Inc., within 30 days of purchase. Ardisam, Inc. shall not be obligated to ship any repair or replacement product to any location outside of the United States of America or Canada.

*\*This warranty applies only to products which have not been subjected to negligent use, misuse, uses other than those indicated in the product's owner's manual, alteration, accident, use of unauthorized parts, failure to perform periodic maintenance as specified in product's owner's manual, normal wear and tear, use of unauthorized parts or repairs performed at non-authorized service centers. There is no other expressed warranty. Implied warranties, including those of merchantability and fitness for a particular purpose, are limited to one year from purchase, or to the extent permitted by law. All other implied warranties are excluded. Liability for incidental or consequential damages are excluded to the extent exclusion is permitted by law. Ardisam, Inc. does not assume, and does not authorize any other person to assume for us, any liability in connection with the sale of our products. **To obtain warranty service, you must have prior approval by calling our customer service department at 1-800-345-6007.** If you choose to ship your product to Ardisam for warranty repair, you must first have prior approval from Ardisam by calling our customer service department for a return material authorization number (RMA#). Under these circumstances, all items must be shipped prepaid. Ardisam will at no charge, repair or replace, at their discretion, any defective part which satisfies all conditions stated above. Ardisam retains the right to change models, specifications and price without notice. Ardisam, Inc. shall not be obligated to ship any repair or replacement product to any location outside of the United States of America or Canada.*

---

---



**Jiffy**  
**ICE FISHING**®

**JIFFY ICE FISHING**

A Division of Ardisam, Inc.

1730 Industrial Avenue, PO Box 666, Cumberland, WI 54829

**Phone/Téléphone:** 800-345-6007 | **Email/Courriel:** [info@jiffyicefishing.com](mailto:info@jiffyicefishing.com)

[www.jiffyicefishing.com](http://www.jiffyicefishing.com)