

Earthquake®

GROUNDBREAKING POWER EQUIPMENT

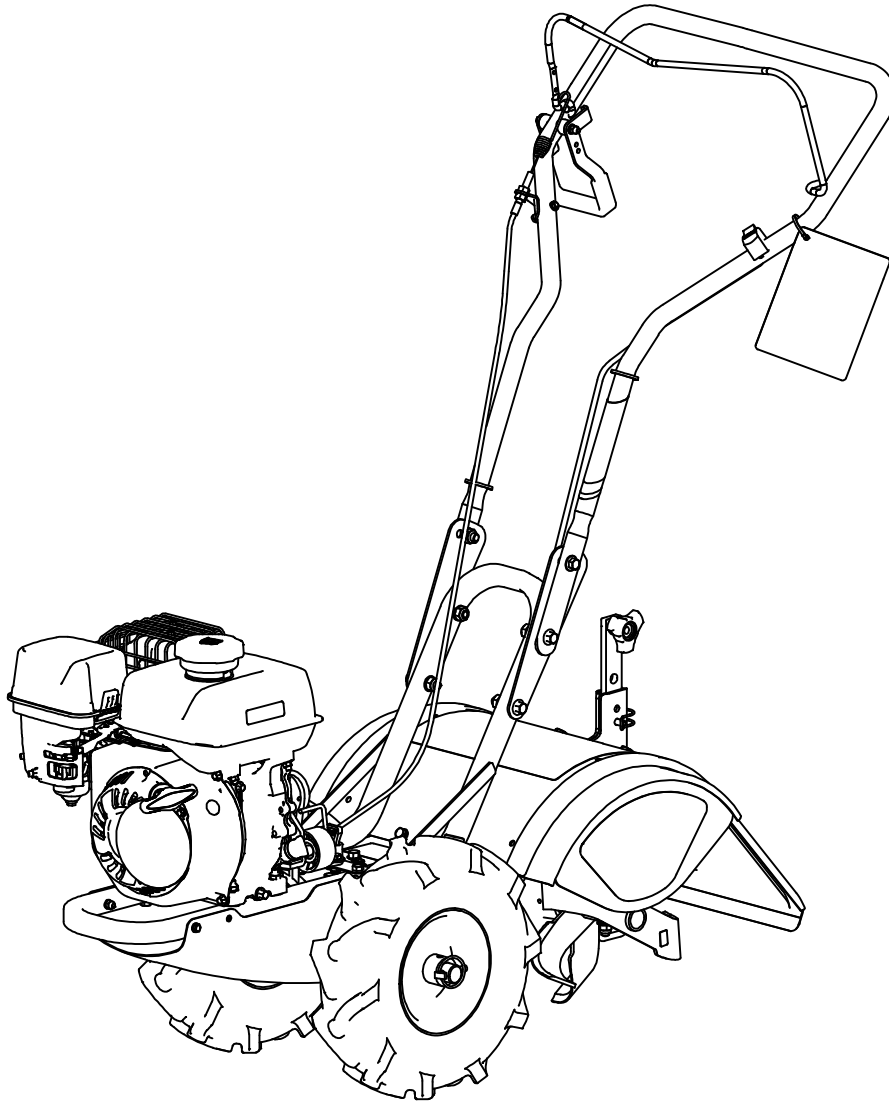
Illustrated Parts Breakdown
 Illustration des pièces détachées

**Model Number,
 Numéros de modèle :
 39381**

ENGLISH

FRANÇAIS

S/N



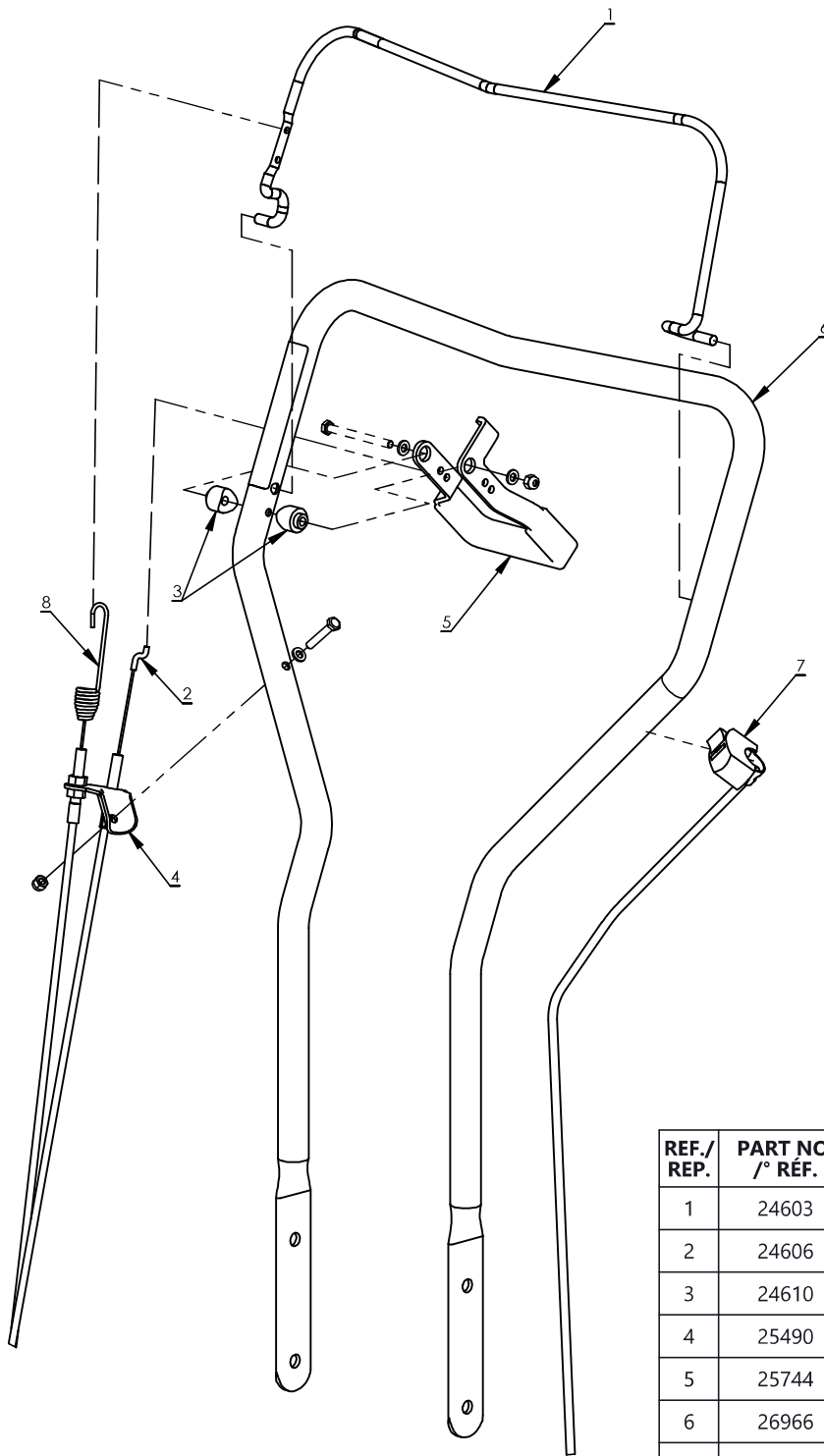
www.getearthquake.com - (800) 345-6007

© 2026 Ardisam, Inc.
 All Rights Reserved
 Tous droits réservés
 P/N: 39999
 SVC: 05881
 ECN: 14965
 REV 4: 2026-01-16



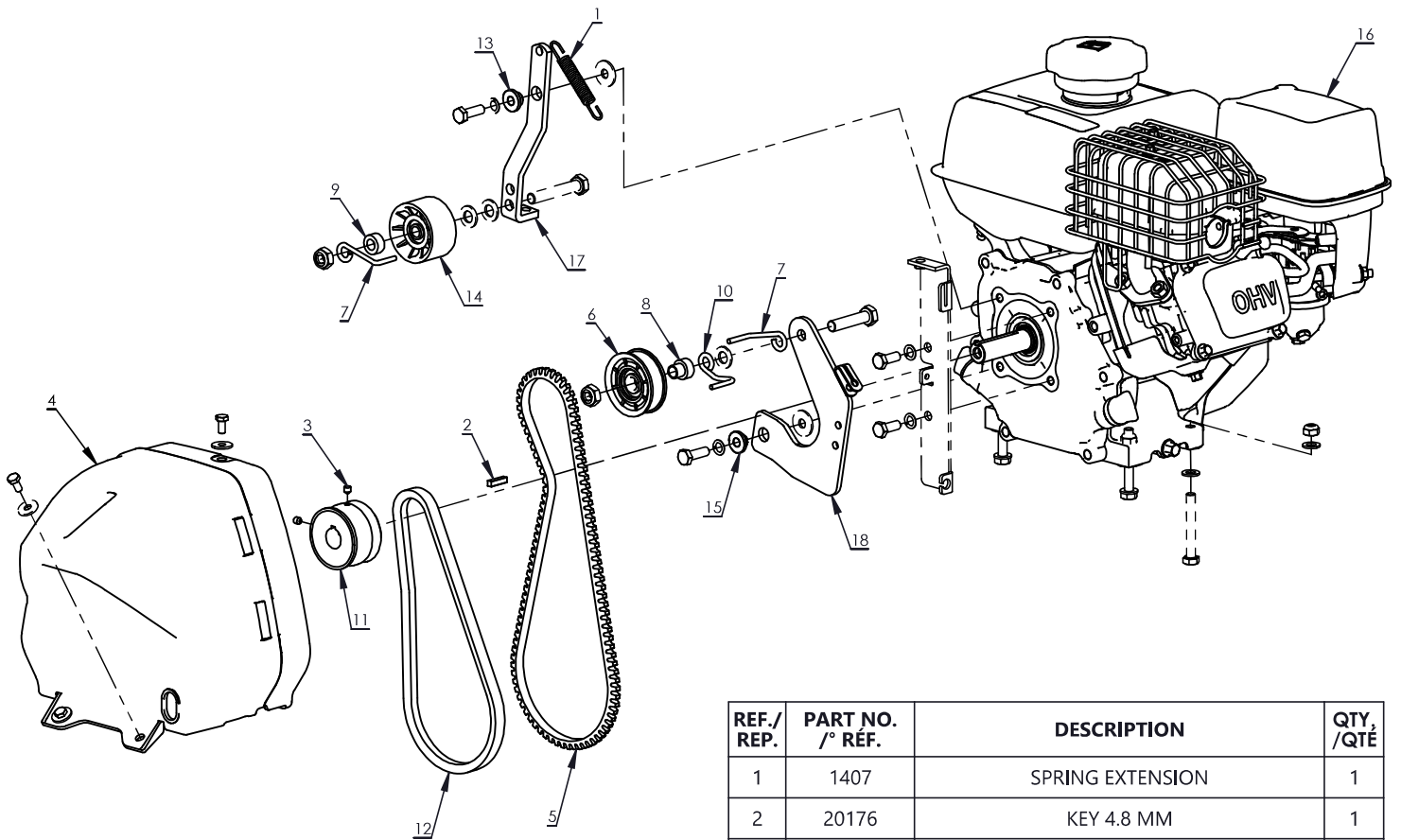
THIS INSTRUCTION BOOKLET CONTAINS IMPORTANT SAFETY INFORMATION. PLEASE READ AND KEEP FOR FUTURE REFERENCE.
 CE LIVRET D'INSTRUCTIONS CONTIENT DES INFORMATIONS IMPORTANTES SUR LA SÉCURITÉ. VEUILLEZ LE LIRE ET LE CONSERVER POUR TOUTE CONSULTATION EXTÉRIEURE.

HANDLEBARS



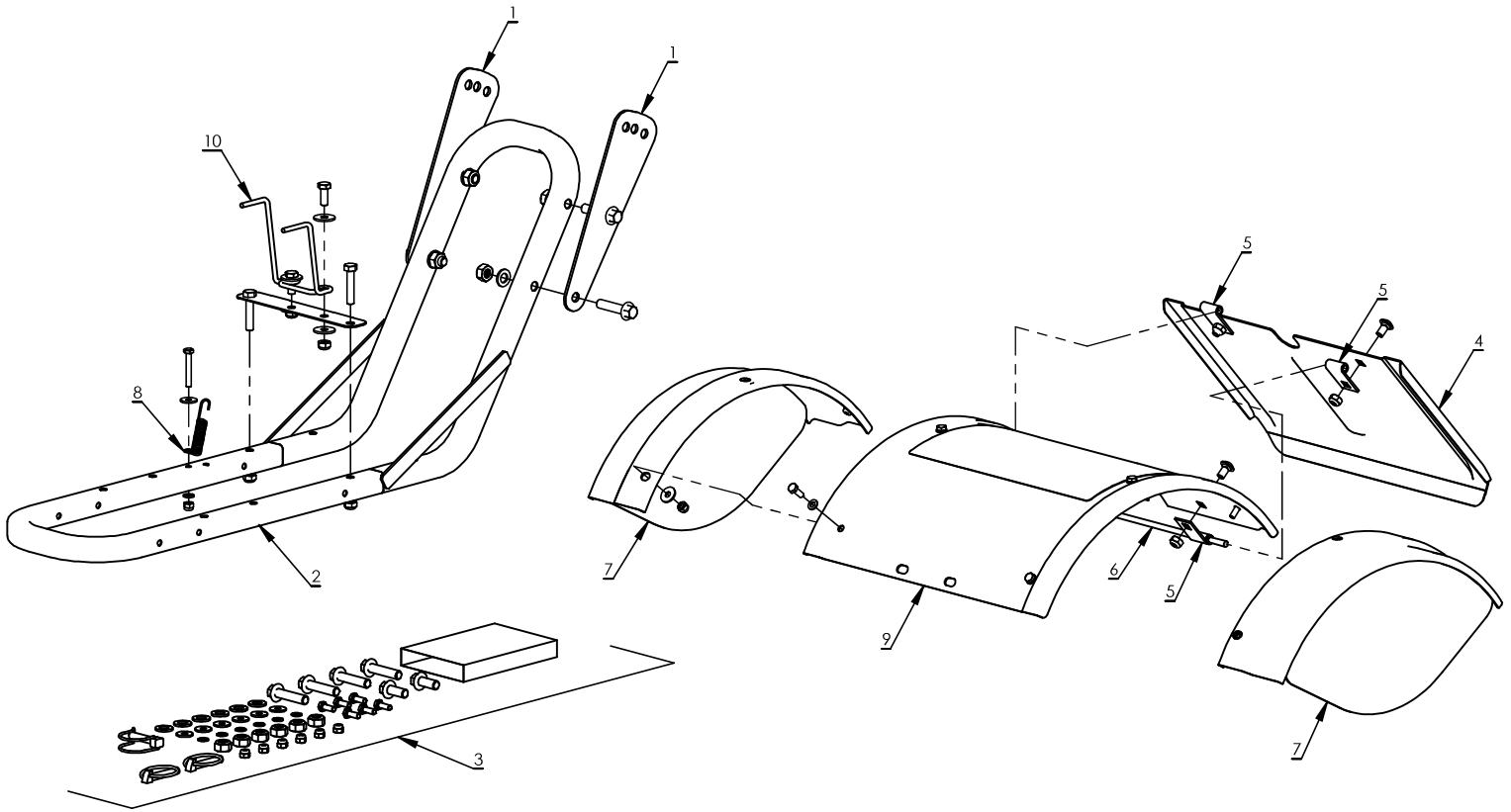
REF./ REP.	PART NO. /° RÉF.	DESCRIPTION	QTY. /QTÉ
1	24603	FORWARD ENGAGEMENT LEVER	1
2	24606	REVERSE CABLE	1
3	24610	HANDLE SPACER	2
4	25490	CABLE MOUNT BRACKET	1
5	25744	REVERSE ENGAGEMENT LEVER	1
6	26966	HANDLEBAR WITH DECAL	1
7	32431	RUN STOP SWITCH	1
8	32910	FORWARD CABLE	1

BELT HOUSING



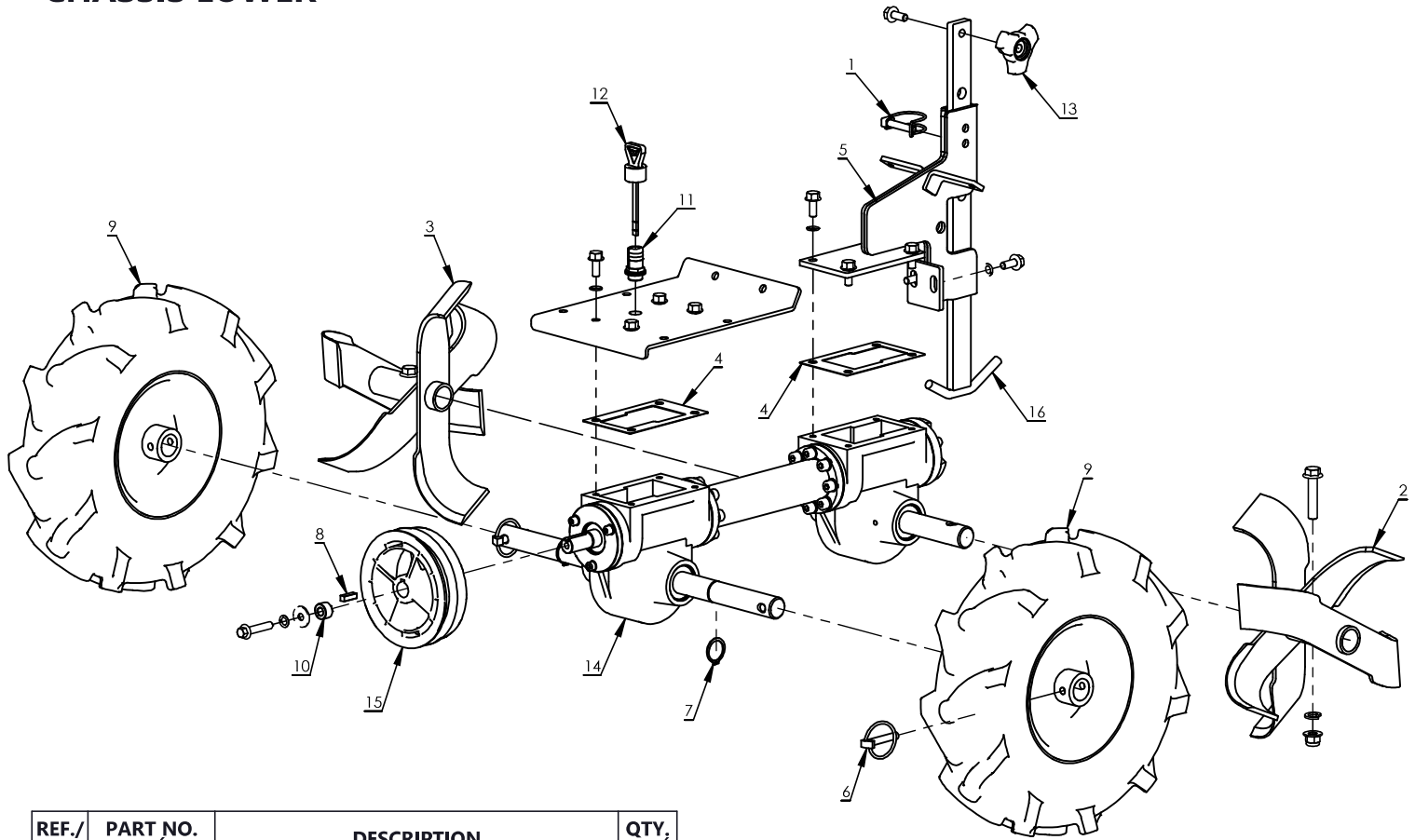
REF./ REP.	PART NO. /° RÉF.	DESCRIPTION	QTY. /QTÉ
1	1407	SPRING EXTENSION	1
2	20176	KEY 4.8 MM	1
3	20919	SET SCREW	2
4	24771	BELT GUARD COVER	1
5	24995	BELT	1
6	25881	IDLER PULLEY	1
7	25885	BELT GUIDE FORWARD	2
8	25888	PULLEY SPACER REVERSE	1
9	25889	PULLEY SPACER FORWARD	1
10	26564	BELT GUIDE REVERSE	1
11	30939	PULLEY TWO GROOVE	1
12	32993	BELT	1
13	32994	ARM BUSHING	1
14	32995	IDLER PULLEY	1
15	33002	ARM BUSHING	1
16	39570	ENGINE	1
17	53617	FORWARD ARM	1
18	53682	REVERSE ARM	1

CHASSIS UPPER



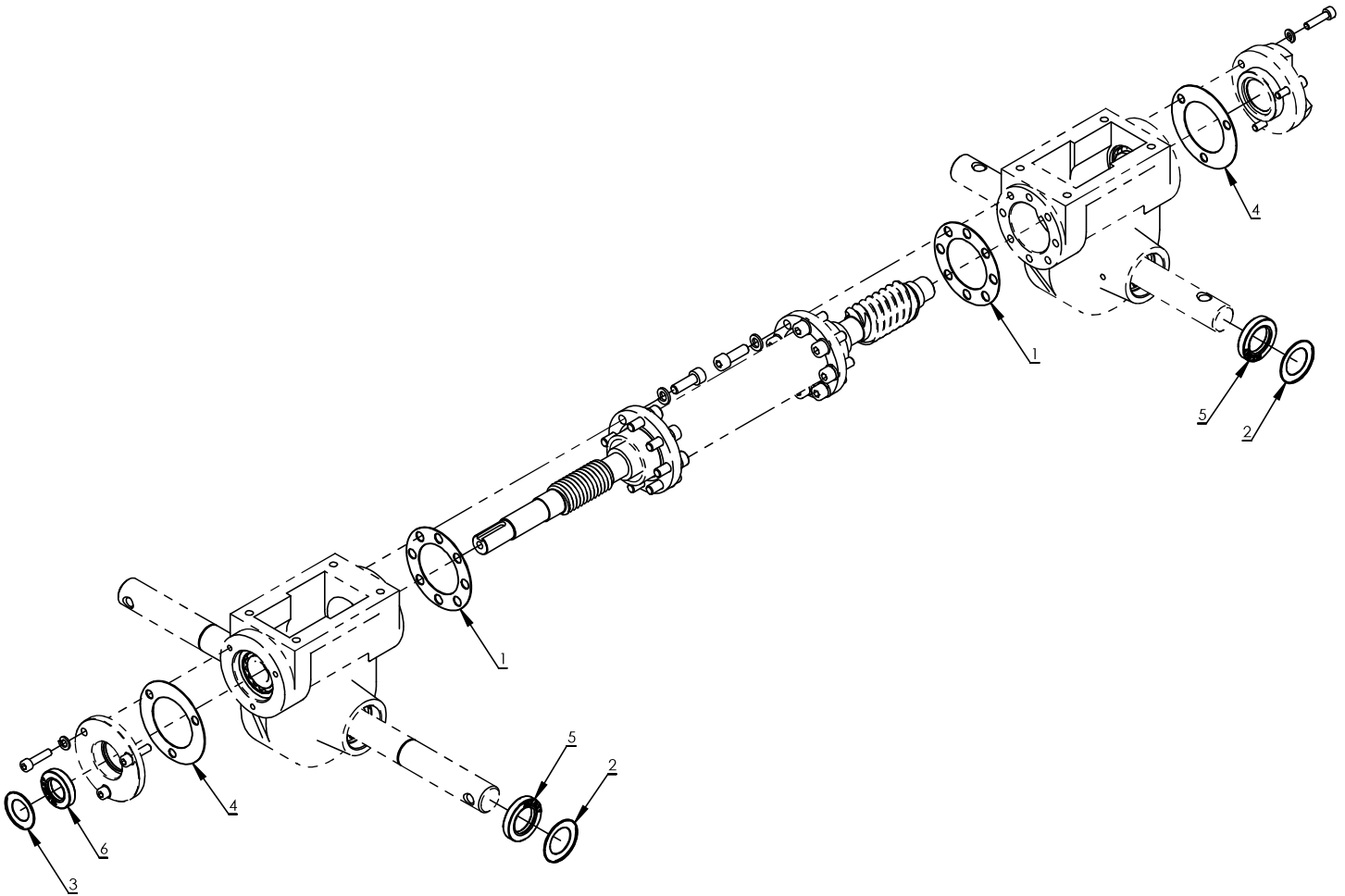
REF./ REP.	PART NO. /° RÉF.	DESCRIPTION	QTY. /QTÉ
1	13285	HANDLEBAR MOUNT	2
2	19867	TUBE FRAME	1
3	20140	HARDWARE PARTS BAG	1
4	24778	BEAVER TAIL	1
5	24868	HINGE BASE	4
6	24869	HINGE PIN	1
7	24873	TINE SIDE SHIELD	2
8	24885	EXTENSION SPRING	1
9	26964	REAR TINE HOOD WITH DECAL	1
10	32992	BELT GUIDE	1

CHASSIS LOWER



REF./REP.	PART NO. /° RÉF.	DESCRIPTION	QTY. /QTÉ
1	18039	LOCK PIN M8	1
2	1900LCRT	TINE SET LEFT	1
3	1900RCRT	TINE SET RIGHT	1
4	19864	GASKET	2
5	20003	DRAG STAKE MOUNT	1
6	20109	LYNCH PIN	2
7	20138	SNAP RING	2
8	20197	KEY 6MM	1
9	20967	TIRE AND WHEEL ASSEMBLY	2
10	24617	SPACER	1
11	24877	VENT	1
12	24879	DIPSTICK	1
13	28354	THREE LOBE HAND NUT	1
14	38726	TRANSMISSION COMPLETE WITH OIL	1
15	51927	PULLEY TRANSMISSION	1
16	53655	DRAG STAKE	1

DRIVE



REF./ REP.	PART NO. /° RÉF.	DESCRIPTION	QTY. /QTE
1	14028	GASKET 8-HOLE	2
2	20130	SEAL COVER 25MM	4
3	20131	SEAL COVER 20MM	1
4	20132	GASKET 3-HOLE	2
5	20135	OIL SEAL 25MM	4
6	20136	OIL SEAL 20MM	1



GROUNDBREAKING POWER EQUIPMENT

1730 Industrial Avenue
Cumberland, WI 54829

Phone, Téléphone: (800) 345-6007
Fax, Télécopieur: (715) 822-2124
www.getearthquake.com