

Earthquake®

GROUNDBREAKING POWER EQUIPMENT

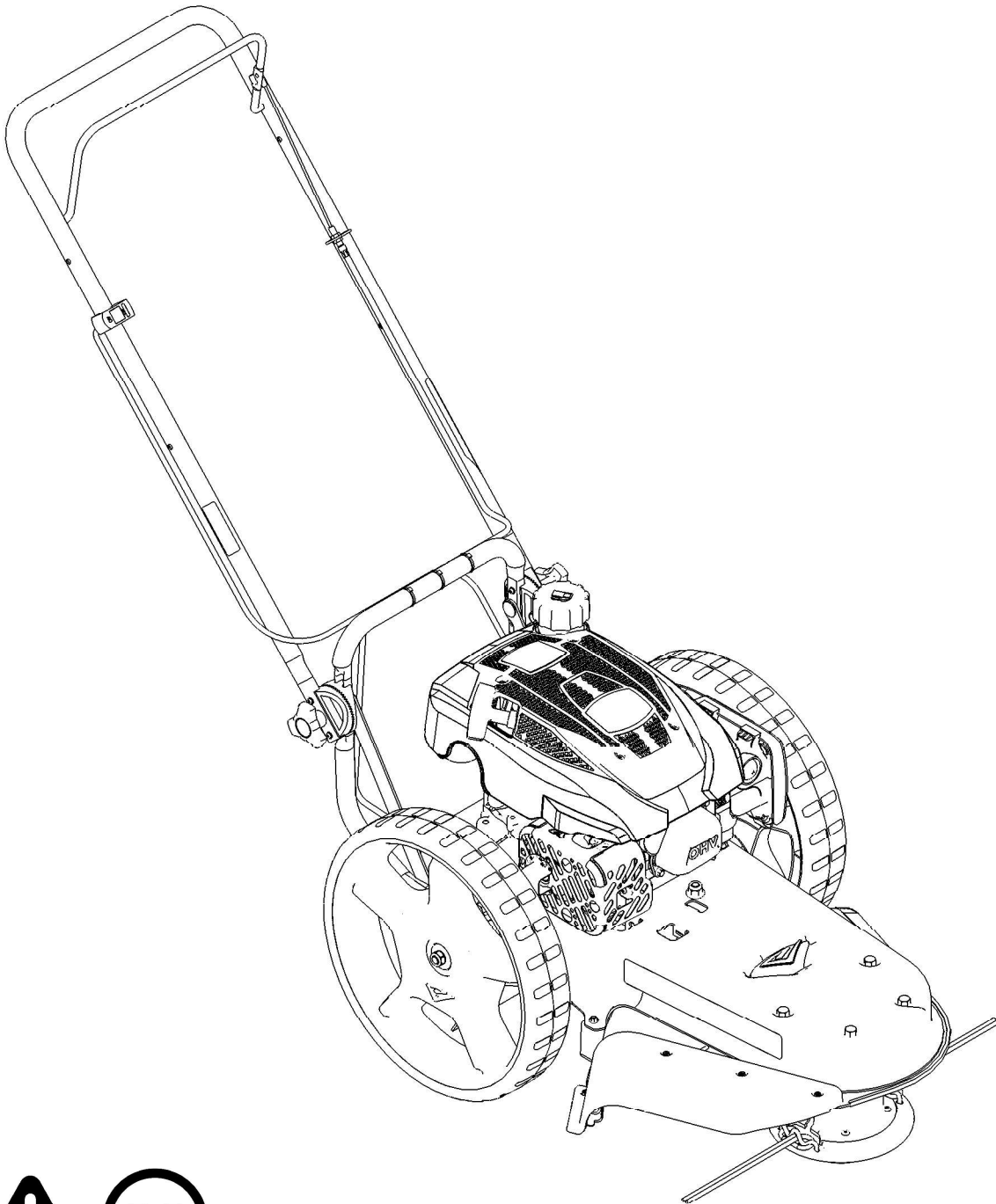
Illustrated Parts Breakdown
 Illustration des pièces détachées

**Model Number,
 Numéros de modèle :**
40314

ENGLISH

FRANÇAIS

S/N

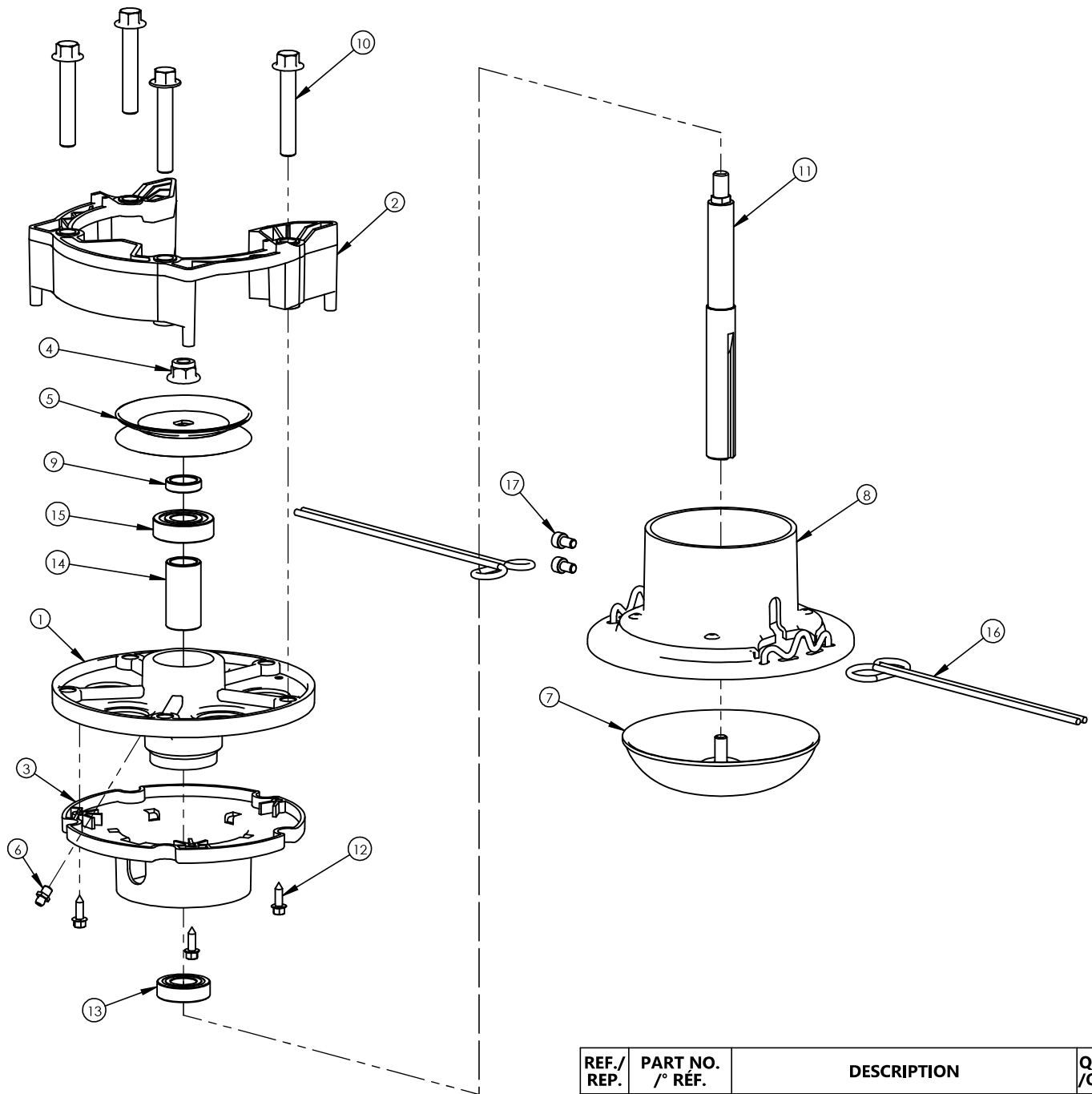


www.getearthquake.com - (800) 345-6007

© 2021 Ardisam, Inc.
 All Rights Reserved
 Tous droits réservés
 P/N: 41773
 SVC: SVC05598
 ECN: 13676
 REV 1: 2022-03-23

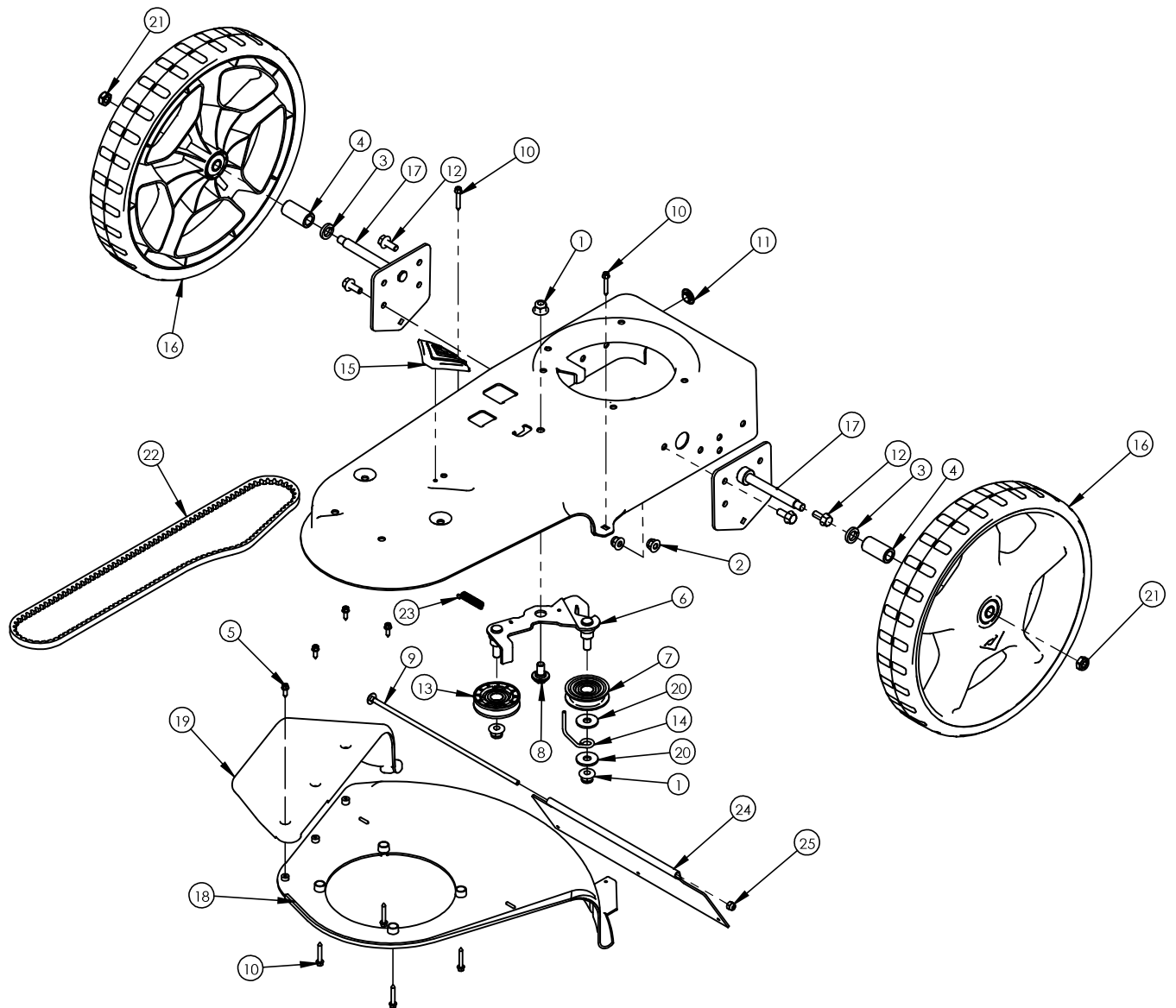


THIS INSTRUCTION BOOKLET CONTAINS IMPORTANT SAFETY INFORMATION. PLEASE READ AND KEEP FOR FUTURE REFERENCE.
 CE LIVRET D'INSTRUCTIONS CONTIENT DES INFORMATIONS IMPORTANTES SUR LA SÉCURITÉ. VEUILLEZ LE LIRE ET LE CONSERVER POUR TOUTE CONSULTATION EXTÉRIEURE.



REF./REP.	PART NO./° RÉF.	DESCRIPTION	QTY./QTÉ
1	16317	SPINDLE HOUSING	1
2	16318	SPINDLE SPACER	1
3	16337	WEED WRAP PREVENTER	1
4	16391	NUT M10	1
5	16595	PULLEY DOUBLE D HUB	1
6	16598	GREASE ZERK	1
7	19923	MOW BALL	1

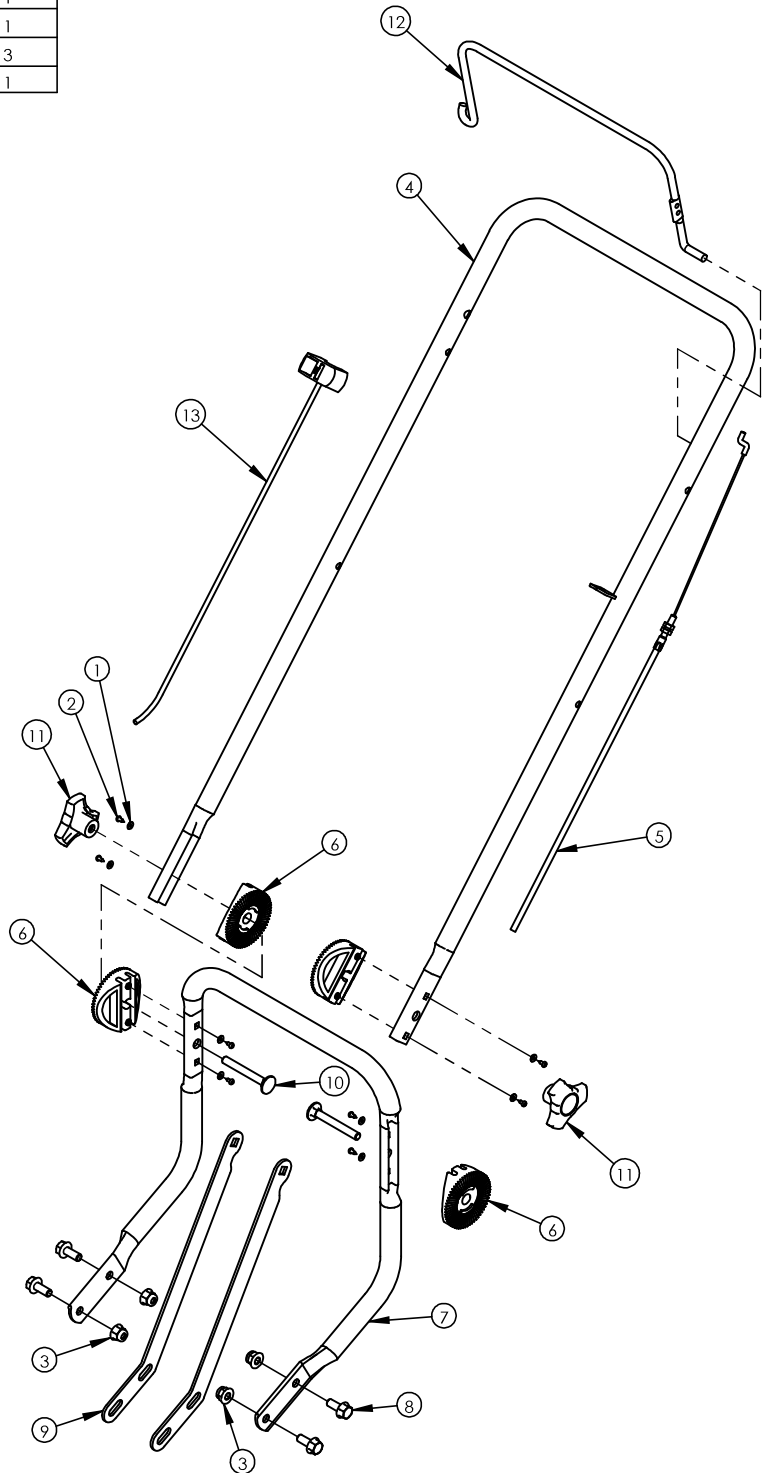
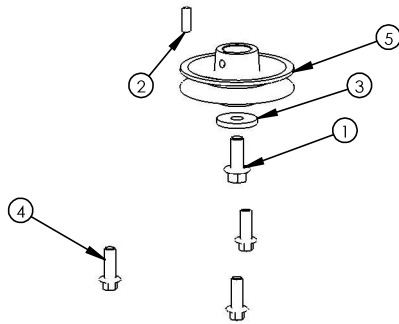
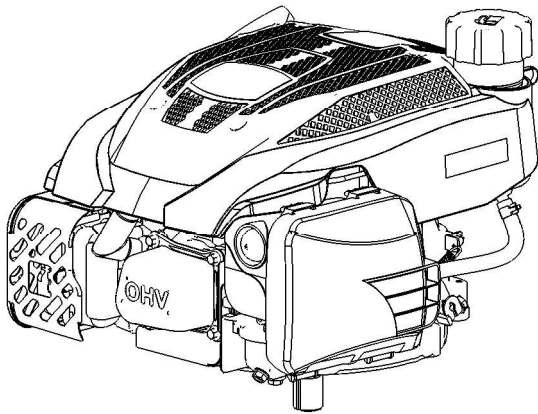
REF./REP.	PART NO./° RÉF.	DESCRIPTION	QTY./QTÉ
8	19924	MOW HEAD	1
9	19925	SPACER 17.5 X 6	1
10	19927	BOLT M10 X 60	4
11	19928	CUTTING HEAD SHAFT	1
12	19931	SCREW M5 X 15	3
13	19959	BALL BEARING 17 X 35	1
14	19960	SPACER 17.5 X 44	1
15	19966	BALL BEARING 17 X 40	1
16	21884	REPLACEMENT LINE	2
17	33998	BOLT M6 X 10	2



REF./REP.	PART NO./° RÉF.	DESCRIPTION	QTY./QTÉ
1	16391	NUT M10	3
2	16400	NUT M8	4
3	18898	WASHER M14	2
4	19904	SPACER 14 X 43	2
5	19931	SCREW M5 X 15	4
6	19932	IDLER ENGAGEMENT ARM	1
7	19934	IDLER PULLEY SMOOTH NYLON	1
8	19936	BOLT M10 SHOULDER	1
9	19937	BOLT M6 X 285 CARRIAGE	1
10	19940	SCREW M5 X 30	6
11	19944	GROMMET 12 X 23	1
12	19945	BOLT M8 X 20	4

REF./REP.	PART NO./° RÉF.	DESCRIPTION	QTY./QTÉ
13	19968	IDLER PULLEY V GROOVE NYLON	1
14	25038	BELT GUIDE	1
15	28215	EARTHQUAKE E BADGE	1
16	28321	WHEEL 13MM X 14IN	2
17	28515	AXLE 13 X 105	2
18	35817	MOWER SHIELD	1
19	41112	DISCHARGE CHUTE	1
20	41161	WASHER M10	2
21	41235	NUT M10	2
22	60005003	V BELT 3L	1
23	60005008	SPRING EXTENSION	1
24	60005018	TRAILING MOWER SHIELD	1
25	W1265V0913	NUT M6	1

REF./REP.	PART NO. /° RÉF.	DESCRIPTION	QTY./QTÉ
1	16510	BOLT 3/8 X 11IN	1
2	16602	KEY 4X5X20 MM	1
3	331040	WASHER M10 X 3	1
4	35893	BOLT M8 X 25	3
5	38147	PULLEY 3L X 74.63MM	1



REF./REP.	PART NO. /° RÉF.	DESCRIPTION	QTY./QTÉ
1	16360	WASHER M3	8
2	16397	SCREW M3 X 10	8
3	16400	NUT M8	4
4	17526	UPPER HANDLEBAR	1
5	17527	ENGAGEMENT CABLE	1
6	19912	ANGLE ADJUSTMENT DISC	4
7	19941	LOWER HANDLEBAR	1
8	19945	BOLT M8 X 20	4
9	27683	HANDLEBAR BRACE	2
10	27800	CARRIAGE BOLT M8 X 65	2
11	28354	THREE LOBE HAND NUT	2
12	31153	ENGAGEMENT LEVER	1
13	41204	IGNITION SWITCH	1