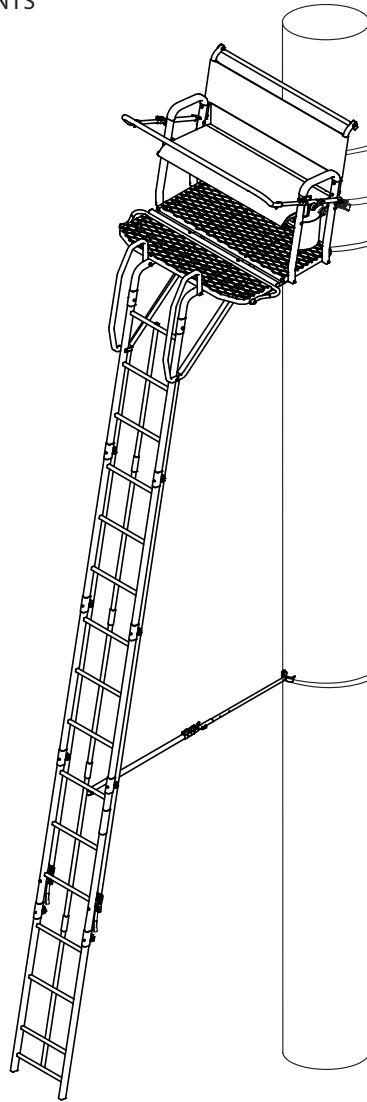




PAT. WWW.ARDISAM.COM/PATENTS



Operator's Manual

LOCKDOWN 21-FT 2-MAN Ladder Stand

MODEL LD207

Maximum Height
21' to shooting rail

Maximum Field Rating
500 lbs; no more than
350 lbs per person.

Tree Diameter Range
12" to 30"

**Wear Your
Harness!**



ATTENTION

**YOU MUST READ ALL WRITTEN INSTRUCTIONS
AND WATCH THIS SAFETY VIDEO BEFORE USING!**



WATCH THIS SAFETY VIDEO BEFORE USING!

Scan →



or Visit →

www.standsafety.com/r3

Scan the QR code with your smart phone, tablet or similar device.

OR

Type the website address into your web browser to view an important safety video before using this product.

LADDER STAND SAFETY

PRODUCT MEETS
INDUSTRY STANDARDS
RECOGNIZED BY



PARTICIPATING MEMBER

Get parts online at
www.HuntRiversEdge.com

© 2026 RETI
All Rights Reserved

P/N: 51127
C/N: 51224
REV2: 04/01/2026

INTRODUCTION

Rivers Edge® Treestands are engineered with you the hunter in mind. We appreciate your purchase of one of our world class treestands. Follow these few simple instructions and your stand will provide you many years of trouble-free pleasure. Instructions should be kept in a safe place and reviewed at least annually.

If for any reason you have a problem with your product or are missing any parts, **DO NOT return to the retailer**, contact Rivers Edge® Customer Service Department at 800-345-6007 for assistance.

CONTENTS

Introduction/Warranty	2
Warnings.....	3-4
Inspection and Maintenance	4
Hardware Identification Chart.....	5-7
Assembly Instructions	8-16
Warnings.....	17
Setup and Use Instructions.....	18-23
The Ultimate Shooting Rail Use Instructions.....	24
Finished Ladder.....	25
Illustrated Parts Breakdown.....	26-27

WARRANTY

RETI offers a **one-year warranty** for all components of the treestand. These warranties apply to the original owner with a proof of purchase. These warranties begin on the date of purchase by the first retail consumer and continue for the period specified above. These warranties apply to products that are not modified, abused or used in a manner that deviates from the product's intended usage. Minor fading in color is normal and is not covered by warranty. Any corrosion of painted surfaces that occurs as a result of paint being removed or damaged is also not covered by warranty. RETI offers no other warranty expressed or implied. Products for which warranty work has been approved must be sent directly to RETI and performed by RETI. **To obtain warranty service and/or replacement instructions, you must obtain prior approval from RETI before shipping your package to us by calling our customer service department at 800-345-6007 or by writing to: Ardisam, Inc., P.O. Box 666, 1730 Industrial Avenue, Cumberland, WI 54829 for a return material authorization number (RMA#).** All items must be shipped prepaid. RETI will, at no charge, repair or replace, in RETI's sole discretion, any product that satisfies the conditions stated above. RETI retains the right to change models, specifications and price without notice.

This equipment has been manufactured under strict quality and safety guidelines. As with any equipment of this type, full understanding of the instructions and its use is mandatory and imperative for the safety of its user. RETI is not responsible for any damages or injuries sustained due to improper use or modification of any of its products, or resulting from any use which deviates from the product's intended usage. RETI is not responsible for any injuries sustained due to failure to read and adhere to the instructions for use. Any misunderstanding or questions regarding the products of their use should be directed to RETI prior to any use. **All RETI treestands are sold with a full body harness ("Fall Arrest System") that meets standards recognized by the Treestand Manufacturer's Association ("TMA").** It is the owner's sole responsibility to inspect the product regularly for damage, improper installation, or conditions that could jeopardize the ultimate safety of the product. Failure to use or improper use of the provided Fall Arrest System may result in serious injury or death. **ALWAYS wear the provided Fall Arrest System while using this product. Owner is responsible to understand and follow product field weight rating and must never exceed maximum weight rating.** RETI is not responsible for any malfunction or injury resulting from normal wear and tear, damage caused by improper use, improper maintenance, negligence or accidents. This product, if used safely as intended, will provide trouble free service for the useful life of the product. We hope you will enjoy the quality of our products for years to come, and have a safe hunt.

STOP

READ AND UNDERSTAND THE FOLLOWING WARNINGS BEFORE ASSEMBLY

MODEL LD207

MAXIMUM USE HEIGHT - 20' 6" TO SHOOTING RAIL

MAXIMUM OCCUPANCY - TWO (2)

TOTAL WEIGHT LIMIT - 500 LB (350 lb Per Person Max)

TREE DIAMETER RANGE - 12" TO 30"

! WARNING

- ▲ This product carries strict height and weight restrictions. **Do Not** use this product if you exceed the total weight limit. Please note that the total weight limit includes the user(s) and their equipment.

! WARNING

- ▲ **When hunting from, installing, or removing a treestand, tripod, or tower, falls can occur any time after leaving the ground causing injury or death.**
- ▲ When using, installing, or removing a treestand, always wear a fall arrest system (FAS) comprising a full body harness at all times after leaving the ground. You must stay connected at all times after leaving the ground while climbing treestands, and while using, installing, or removing hang-on treestands. Single safety belts and chest harnesses are no longer allowed and shall never be used. When using, installing, or removing a treestand, if you are not wearing a full body harness properly attached to the tree that is protecting you from a fall, do not leave the ground.
- ▲ **Read and understand** all of the manufacturer's Warnings and Instructions and use all safety devices provided by the manufacturer. Contact the manufacturer for any questions. Failure to do so could result in injury or death.
- ▲ **Never** exceed the total weight limit of the treestand.
- ▲ **Never** use, install, or remove a treestand, tripod, or tower during inclement weather such as rain, lightning, windstorms or icy conditions and end your hunt and return to the ground if inclement conditions arise.
- ▲ **Never** use, install, or remove a treestand, tripod, or tower while using drugs (even prescription drugs) or alcohol.
- ▲ **Never** use, install, or remove a treestand, tripod, or tower while feeling ill, nauseous or dizzy, or if you have a prior medical condition that could cause a problem, that is, heart condition, joints that lock-up, spinal fusions, etc., or if you are not well rested.
- ▲ **Never** sleep in a treestand.

! WARNING

- ▲ **Never** use, install, or remove a treestand on a dead, leaning, diseased or loose barked tree, or a utility pole.
- ▲ **Always** avoid electrical power lines.
- ▲ **Never** rely on a tree branch for support.
- ▲ **Never** jump or bounce on a treestand to seat it to the tree.
- ▲ Pull up a bow, backpack, or firearm or other equipment only after being secure in the treestand and a firearm must be pulled up with it unloaded, chamber open, and muzzle down.
- ▲ **Always** inform someone of the hunting location, where the treestand will be located and the expected duration of the hunt.
- ▲ A signal device such as a mobile phone, radio, whistle, signal flare or personal locator device (PLD) must be on your person and readily available at all times.
- ▲ **Never** leave a treestand in a tree for more than two weeks since weather or animals could cause damage. Tree growth can also stress and damage straps and buckles.
- ▲ Inspect the treestand and all safety devices each time before use and **Do Not** store a treestand outdoors when not in use.
- ▲ **Never** modify your treestand in any way by making repairs, replacing parts, or altering it except if explicitly authorized in writing by the manufacturer.
- ▲ Practice installing, adjusting, removing, and using your treestand at ground level prior to using it at elevated positions. Study your new stand to become familiar with all of its features and design. Doing so will confirm that the product is manufactured, assembled and installed correctly.
- ▲ Instructions (written and video) shall be kept in a safe place and reviewed at least annually. It is the responsibility of the treestand owner to furnish the complete instructions to any person who borrows or purchases the treestand.
- ▲ Use at least three (3) people to install or remove/take down a ladder treestand.
- ▲ The criss-cross straps/ropes and stabilization devices must be attached before climbing to the platform.
- ▲ When installing a ladder stand, always bounce on the first rung to set the ladder into the ground according to manufacturer's instructions before proceeding to climb any higher.
- ▲ Check every ladder section connection every time you use the stand before you leave the ground. If ladder sections are separating, do not use the stand.

⚠ WARNING

- ▲ **Always** maintain three (3) points of contact when climbing a ladder treestand. Proper three-point contact means having either two feet with one hand or one foot with two hands on the step portion of the ladder or climbing aid at all times.
- ▲ **Always** lean forward as you climb and attach your harness to the tree before securing the platform to the tree and stepping onto the platform.
- ▲ **Never** exceed the stated maximum use height.
- ▲ **Do Not** use this product until you have watched the online safety video, understand it, and practiced the techniques for safe hunting discussed in this video. Video can be found with the QR code and/or URL shown on front cover of this manual.
- ▲ Read and perform all inspection and maintenance tasks before each and every use. Replace any questionable components immediately with RETI original replacement parts.
- ▲ **Do Not** crush tubing when tightening bolt assemblies! Identify and familiarize yourself with all parts before you start. Bolt identification chart can be found in the back.
- ▲ Double check assembly steps to be certain you have correctly assembled this product.
- ▲ **Never** use any product that has not been maintained or inspected properly - Your life depends on it!
- ▲ Replace any and all treestand straps every two years or when any signs of damage or wear exist before.
- ▲ **Always** wear the appropriate footwear when using a ladder treestand. A good non-slip safety boot is important to your personal safety. Be especially careful that boot laces do not get hooked on the stand or any of its components (tuck shoelaces into boots before climbing).

⚠ WARNING

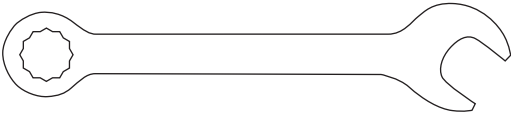

- ▲ **Only** use approved RETI parts. Failure to do so may result in serious injury or death!

INSPECTION AND MAINTENANCE

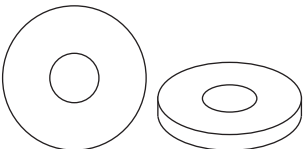
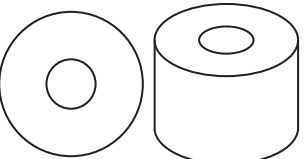
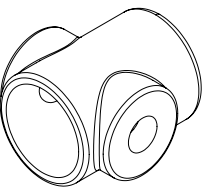
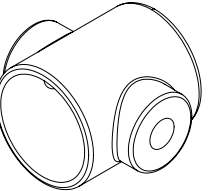
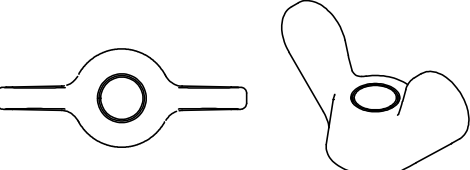
BEFORE EACH USE PERFORM THE FOLLOWING:

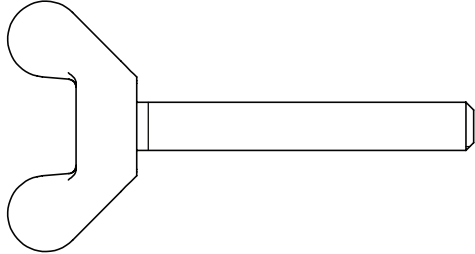
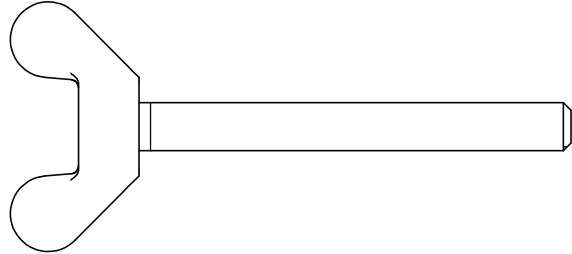
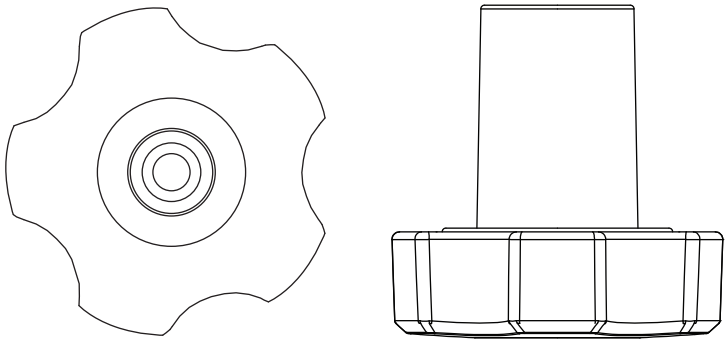
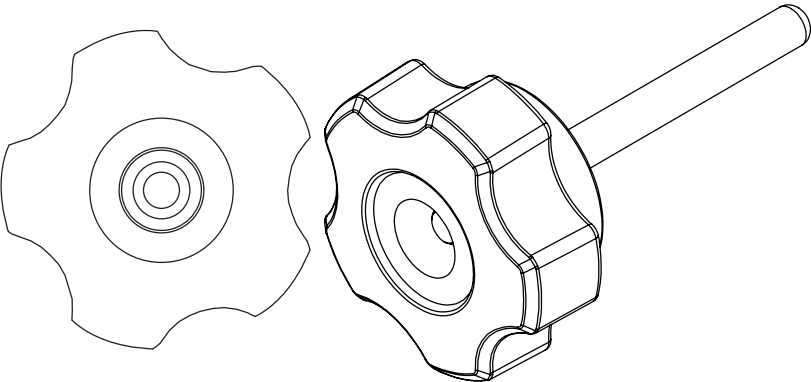
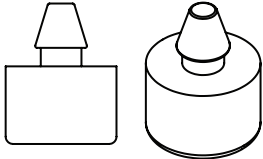
- Inspect all webbing, rope, cord, and strap assemblies for wear or damage.
- Inspect cables and/or cable ends for damage or kinking.
- Inspect all hardware and chain components for damage or wear.
- Inspect for any structural damage to product. (If any exists stop use immediately and call RETI Customer Service.)
- Inspect all nut and bolt assemblies to be certain none are loose.
- Inspect for any missing parts.
- Lubricate all pivot and slide together points with powder graphite, petroleum jelly or silicone spray to prevent noise, wear and rust.
- Inspect entire product for any rust, corrosion, cracks, freezing, excessive heat or rotting damage that may effect the safety of your product. Discard any questionable product.
- Inspect entire product for any structural damage - pay close attention to all weld locations. (Discard product if any damage is found.)
- Using correct wrenches inspect all nut & bolt assembly locations and snug up any that may be loose. Be careful not to crush tubing when tightening!
- Inspect and check operation of all cables, cable ends, cord, rope, webbing, and strap or chain assemblies. Replace with RETI original replacement parts any item or assembly that shows signs of wear, damage, kinking, or functions incorrectly.
- Inspect seat for damage or wear. Replace any seat with factory new that shows signs of structural damage or wear.
- Never modify your stand in any way by making repairs, replacing parts, or altering by adding or attaching anything to it except if explicitly authorized in writing by the manufacturer.

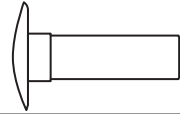

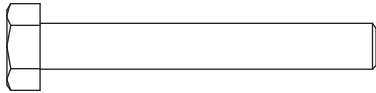
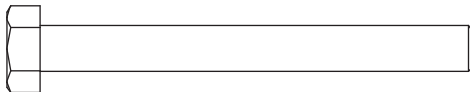

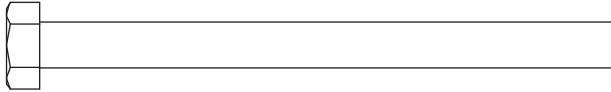


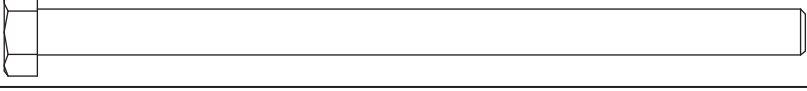
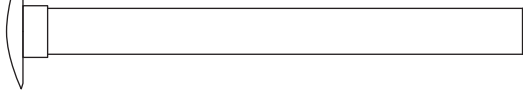
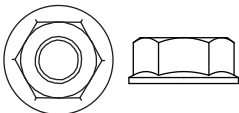
TOOLS REQUIRED

-	-	7/16 IN WRENCHES		2
-	27477	4 MM ALLEN WRENCH (INCLUDED)		1

HARDWARE LIST

Item	Part No.	Description	Image	Qty
29	23572	YELLOW PLASTIC WASHER 2 MM		8
30	36703	YELLOW PLASTIC SPACER 12 MM		6
31	51119	GREY CAP 18MM		2
32	51120	GREY CAP 25MM		2
33	48042B	WING NUT		2

Item	Part No.	Description	Image	Qty
34	48044B	WING BOLT 1/4 X 1-3/4 IN		1
35	48057B	WING BOLT 1/4 X 2-1/4 IN		1
36	28839	KNOB M6 X 29 MM		2
37	36719	KNOB SILENT LADDER W/STUD		6
38	48679	RUBBER BUMPER STOP		2

Item	Part No.	Description	Image	Qty
39	26813	BOLT M6 X 20 MM		2
40	48240B	BOLT 1/4 X 1-1/2 IN		10
41	48250B	BOLT 1/4 X 1-3/4 IN		4
42	48271B	BOLT 1/4 X 2-1/4 IN		2
43	48270B	BOLT 1/4 X 2-1/2 IN		14
44	48280B	BOLT 1/4 X 3 IN		14
45	36704	BOLT 1/4 X 3-1/2 IN		4
46	29676	BOLT 1/4 X 3-3/4 IN		2
47	36705	BOLT 1/4 X 4 IN		2
48	35721	BOLT 1/4 X 2-1/2 IN		3
49	48752B	NUT 1/4 IN		55

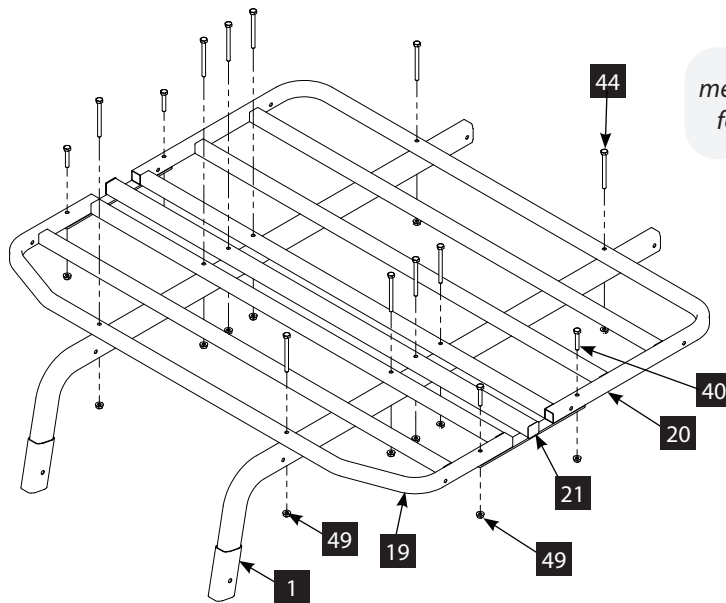
ASSEMBLY INSTRUCTIONS

IMPORTANT ASSEMBLY TIP:

Do not tighten any nut and bolt combinations completely until all parts are assembled together! Finger tighten plus one turn of a wrench only! This will temporarily hold the lock-nut on the bolt while helping alignment of all parts! After all parts are assembled together, all nut and bolt combinations must be completely tightened.

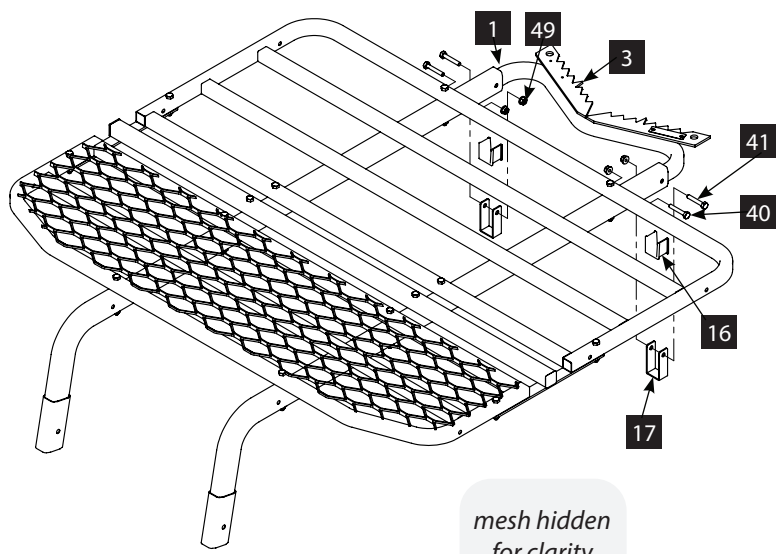
All assembly must be done in this order at ground level before uprighting.
Do not remove labels/warnings from product, they are there for your safety.
Recommended for adult use only.

STEP 1



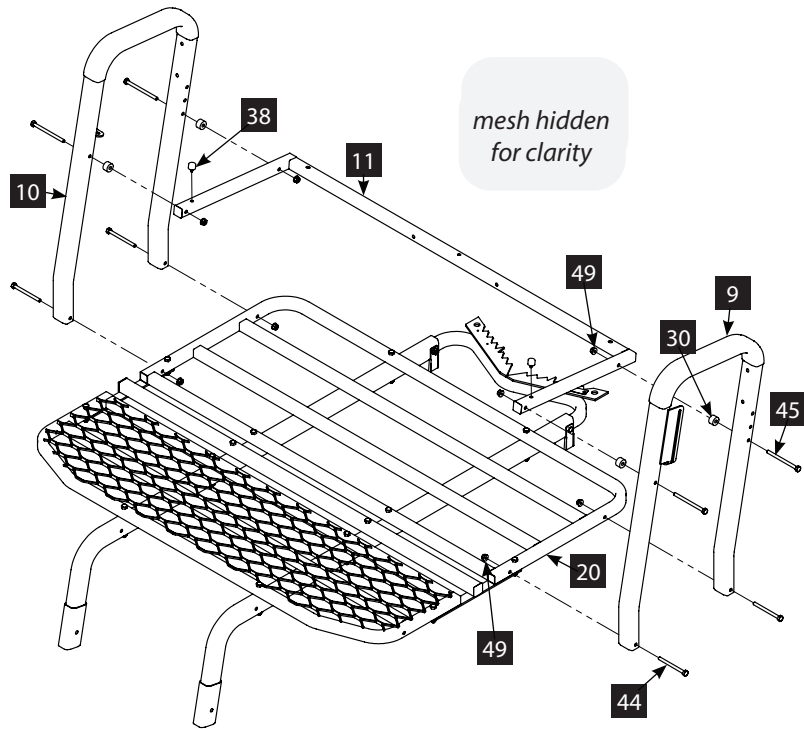
1. Attach front (19), center (21), and rear platform (20) sections to J-tubes (1) using ten 1/4-20 x 3 IN bolts (44), four 1/4-20 x 1-1/2 IN bolts (40) and nuts (49).

2. Insert bottom tree blade (3) into ends of J-tubes (1). Slide a strap guide guard (16) into the strap guide (17). Then slide a strap guide onto each J-tube and align with rear hole on each side. Secure parts together using two 1/4-20 x 1-1/2 IN bolts (40), two 1/4-20 x 1-3/4 IN bolts (41) and nuts (49).



STEP 2

STEP 3

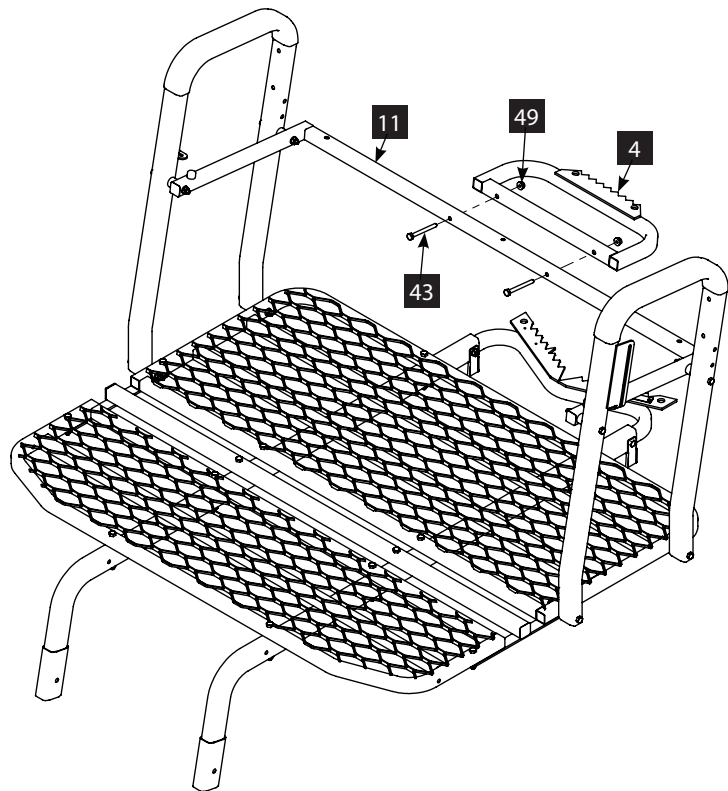


3. Attach left and right armrests (9 and 10) to rear platform section (20) using four 1/4-20 x 3 IN bolts (44) and nuts (49).

Attach seat support (11) to left and right armrests using four 1/4-20 x 3-1/2 IN bolts (45), 12mm thick yellow spacers (30) and nuts (49). The spacers must be placed between the seat support and armrests. Be sure to position the seat support with the holes for the rubber seat bumpers (38) facing up.

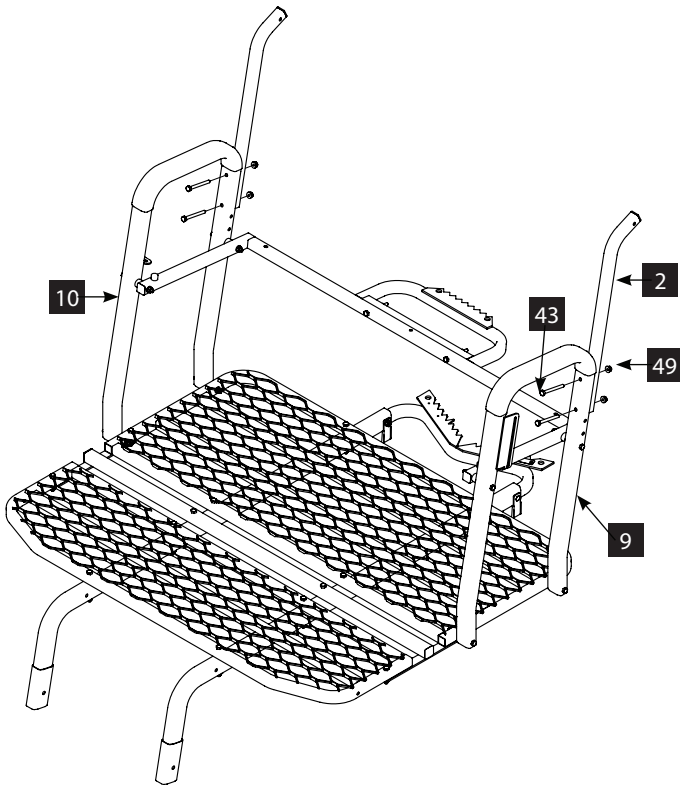
Insert the rubber seat bumpers (38) into the holes in the seat support.

4. Attach the top tree blade (4) to the seat support (11) using two 1/4-20 x 2-1/2 IN bolts (43) and nuts (49).



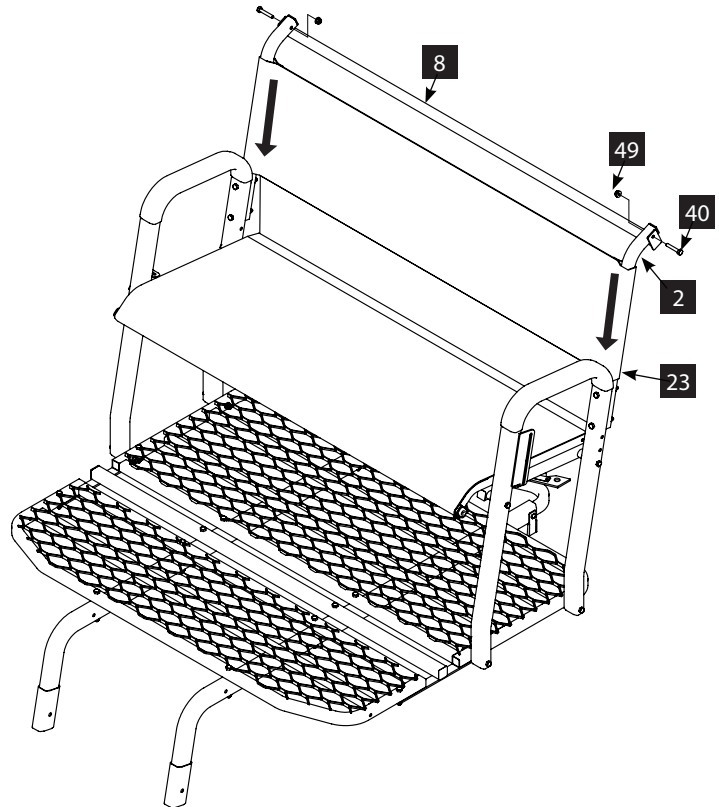
STEP 4

STEP 5



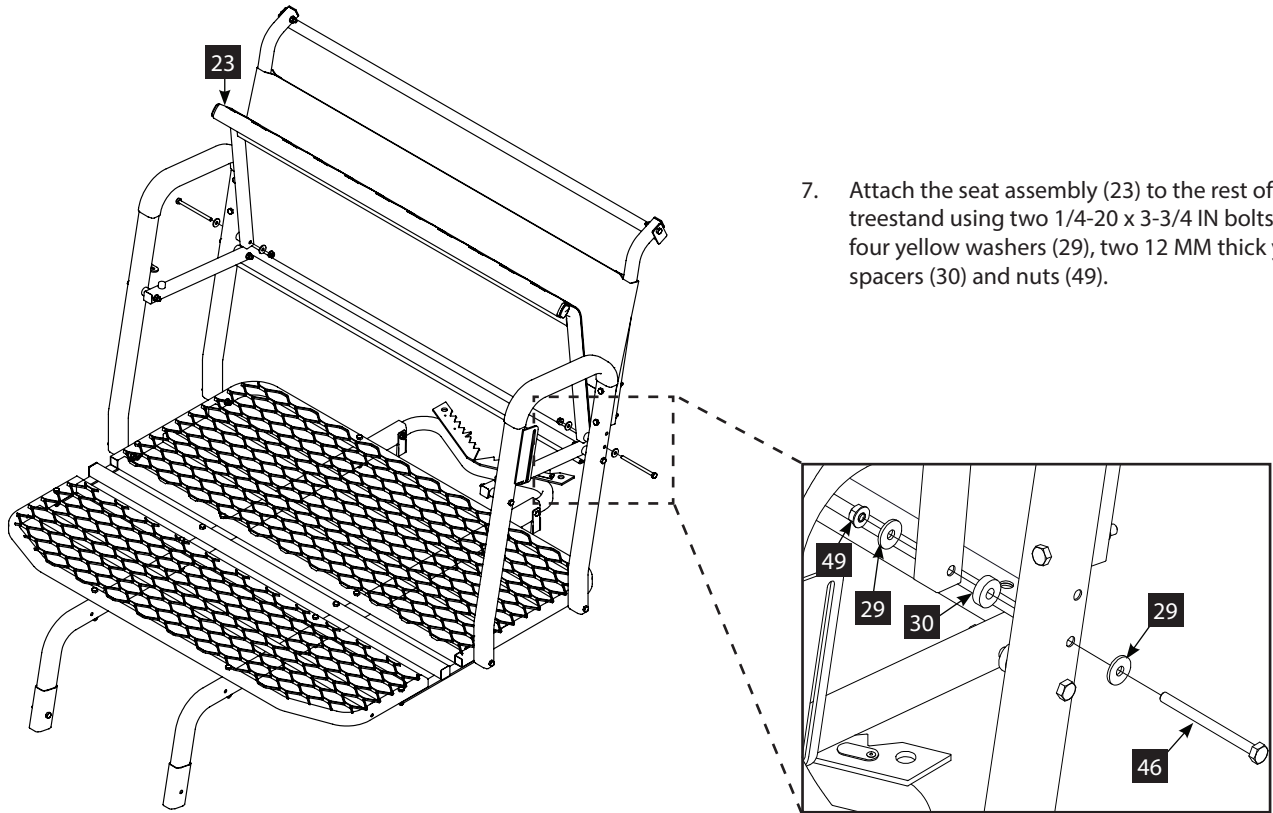
5. Attach the backrest tubes (2) to the left and right armrests (9 and 10) using four 1/4-20 x 2-1/2 IN bolts (43) and nuts (49).

6. Slide the backrest onto the backrest tubes. Attach the backrest spreader to the top of the backrest tubes using two 1/4-20 x 1-1/2 IN bolts and nuts.



STEP 6

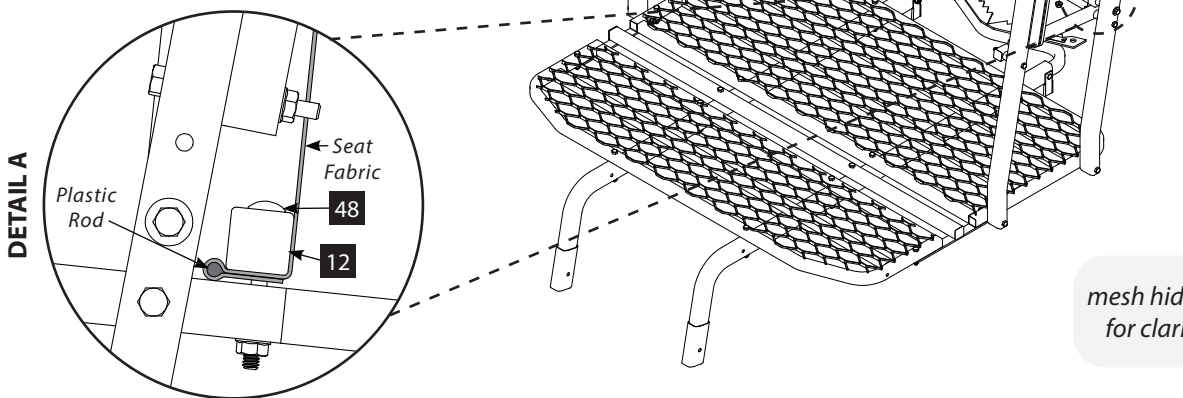
STEP 7



- Attach the seat assembly (23) to the rest of the treestand using two 1/4-20 x 3-3/4 IN bolts (46), four yellow washers (29), two 12 MM thick yellow spacers (30) and nuts (49).

- Attach the rear fabric of the seat assembly (23) to the seat support (11) using the rear seat support (12), three 1/4-20 x 2-1/2 IN carriage bolts (48) and nuts (49). Pay close attention to **DETAIL A** for proper assembly. The seat fabric will be sandwiched between the seat support and rear seat support. Once the bolts are tightened, the plastic rod within the fabric sleeve will secure the fabric in place.

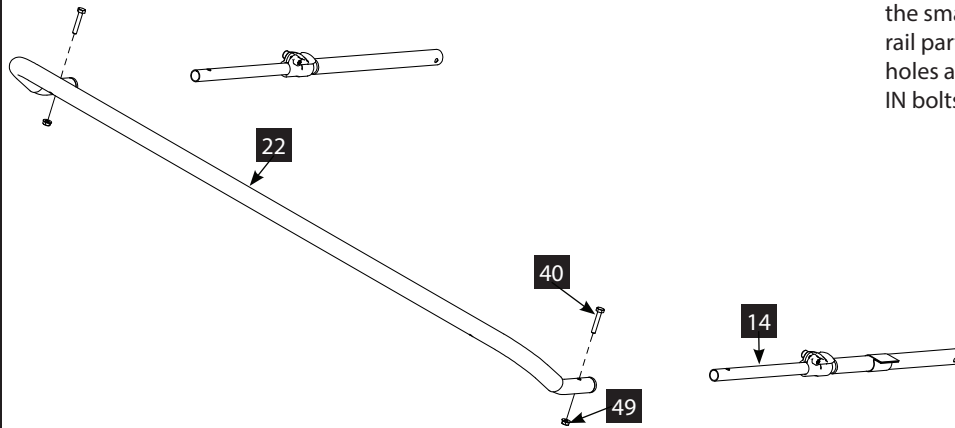
NOTE: Pay close attention not to pinch the plastic rod between the seat support (11) and rear seat support (12) while tightening the bolts.



mesh hidden
for clarity

STEP 8

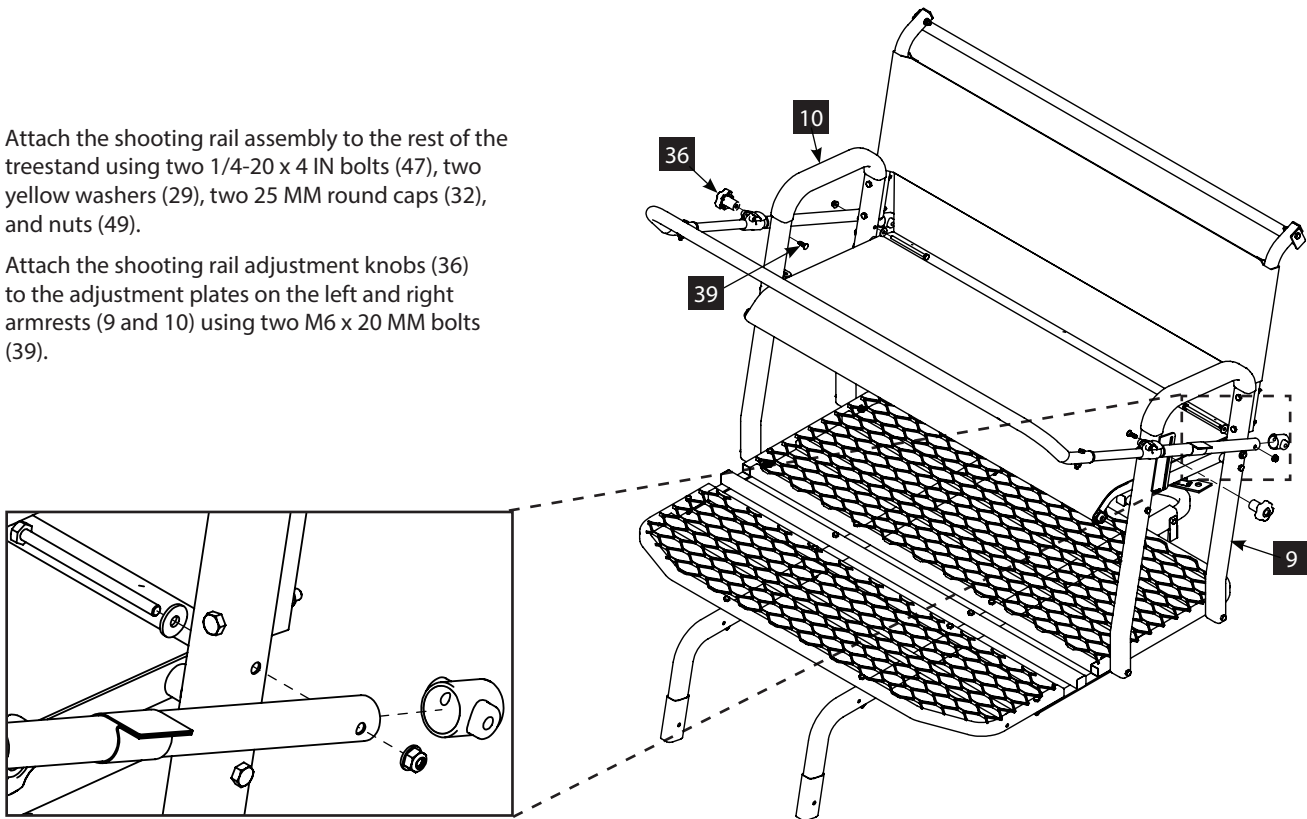
STEP 9



- Assemble the shooting rail (14 and 22) by inserting the small diameter tube of adjustable shooting rail parts (14) into the shooting rail (22). Align the holes and secure together using two 1/4-20 x 1-1/2 IN bolts (40) and nuts (49).

- Attach the shooting rail assembly to the rest of the treestand using two 1/4-20 x 4 IN bolts (47), two yellow washers (29), two 25 MM round caps (32), and nuts (49).

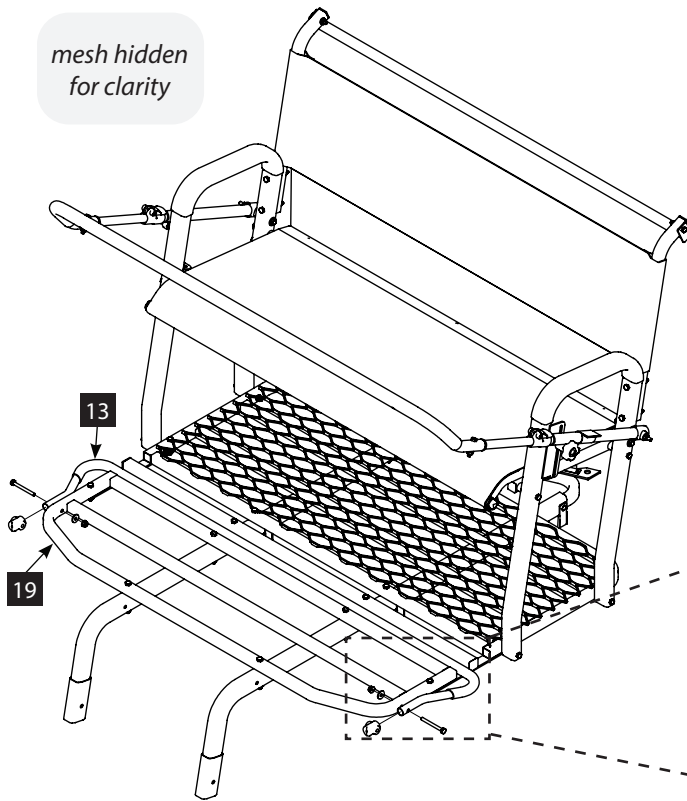
Attach the shooting rail adjustment knobs (36) to the adjustment plates on the left and right armrests (9 and 10) using two M6 x 20 MM bolts (39).



STEP 10

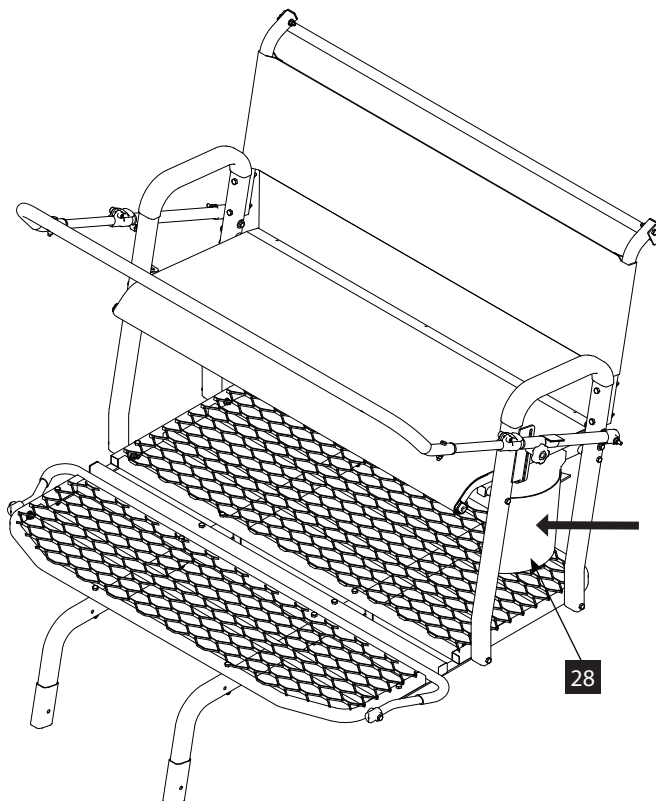
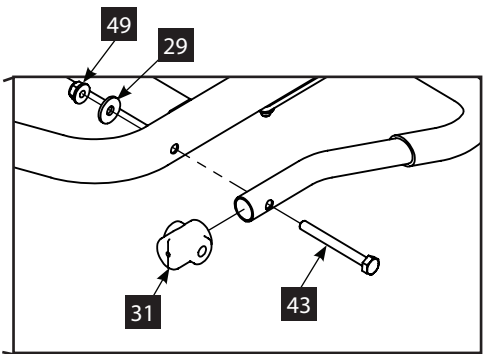
STEP 11

mesh hidden
for clarity



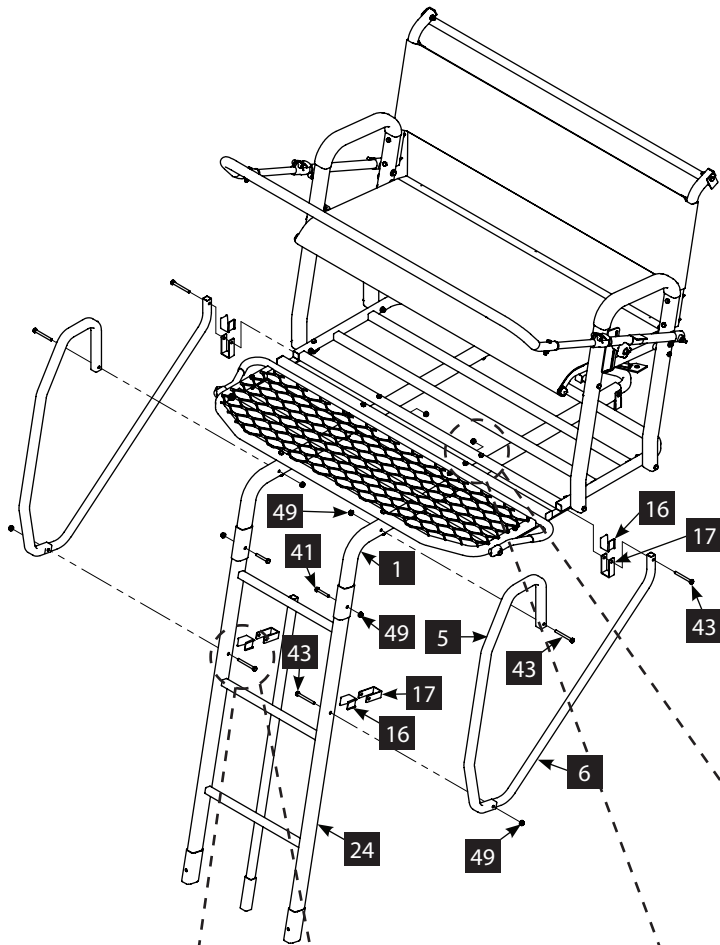
11. Attach the footrest (13) to the front platform section (19) using two 1/4-20 x 2-1/2 IN bolts (43), two yellow washers (29), two 18 MM round caps (31), and nuts (49).

Attach gear pocket (28) in desired position.



The gear pocket (28) can be attached to either side of the seat support frame (11).

STEP 12

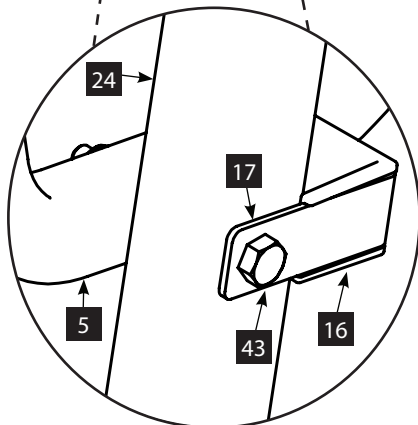


- Slide the top ladder section (24) into the pockets on the J-tubes (1) and secure using two 1/4-20 x 1-3/4 IN bolts (41) and nuts (49).

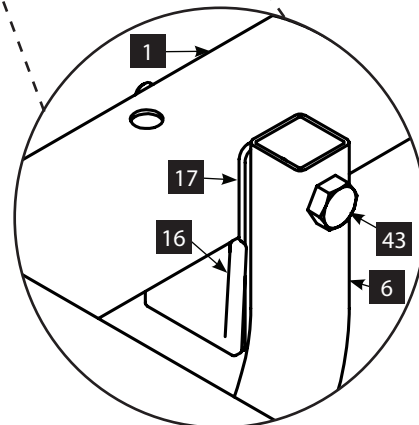
Pre-assemble the platform braces (6) with the ladder hand rails (5) by inserting one end of each platform brace into the lower end of each ladder hand rail and aligning the holes.

Then, attach the pre-assembled platform braces and ladder hand rails and four strap guides (17) with four strap guide guards (16) slid inside of them to the rest of the treestand using six 1/4-20 x 2-1/2 IN bolts (43) and nuts (49). Pay close attention to **DETAIL A** and **DETAIL B** for proper positioning of strap guides.

DETAIL A

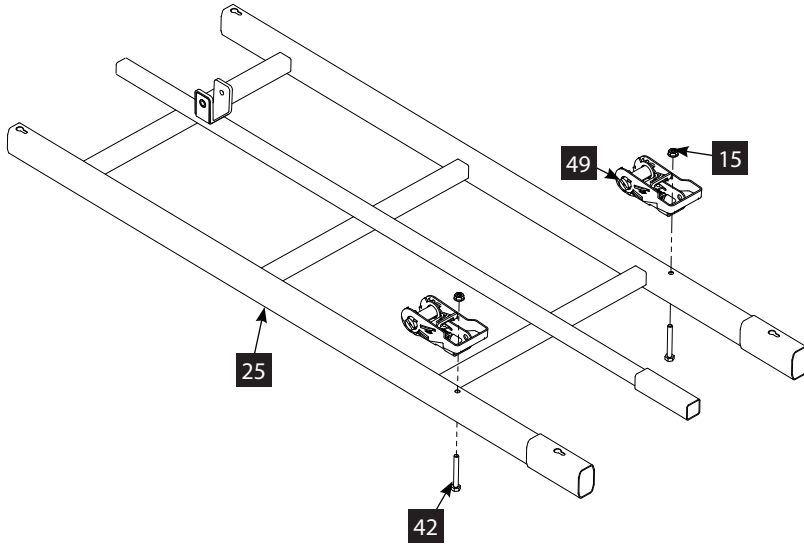


DETAIL B



mesh hidden for clarity

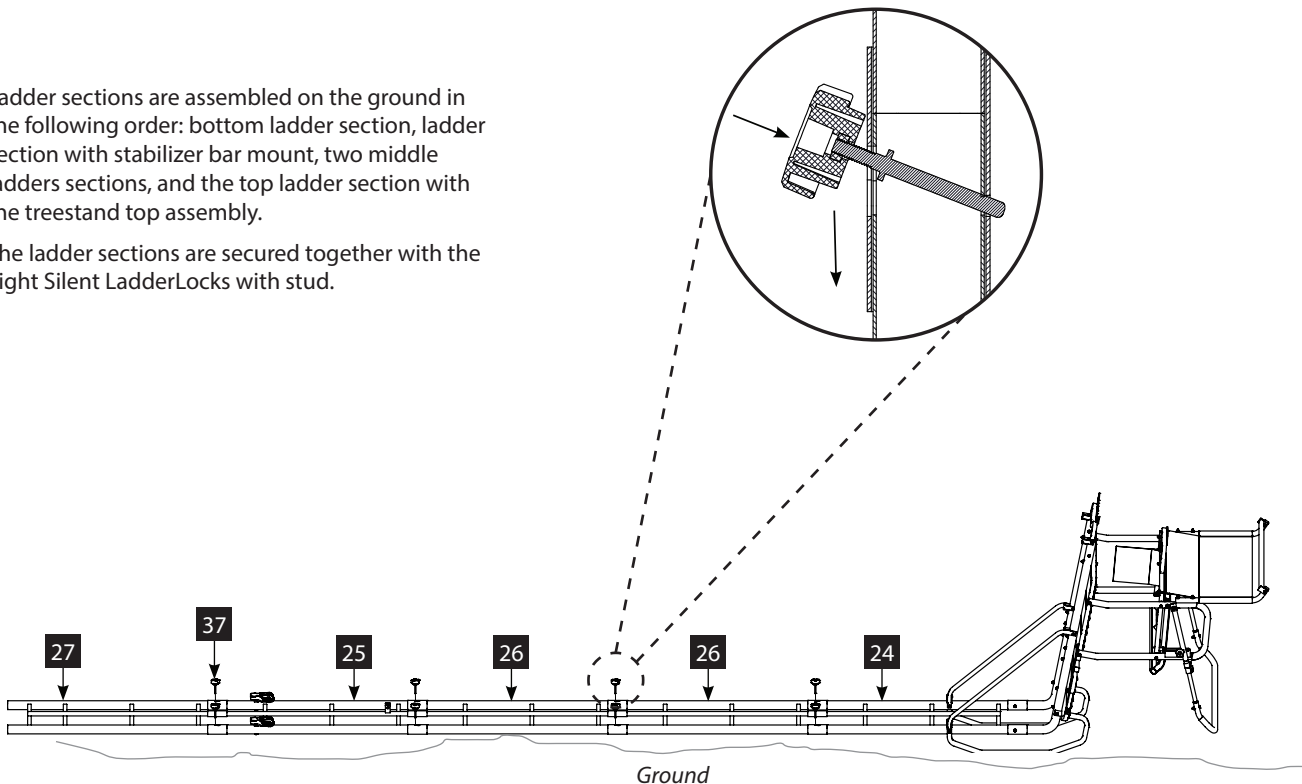
STEP 13



13. Attach the ladder ratchets (15) to the ladder section with the stabilizer bar mount (25) using two 1/4-20 x 2-1/4 IN bolts (42) and nuts (49). Set aside for now.

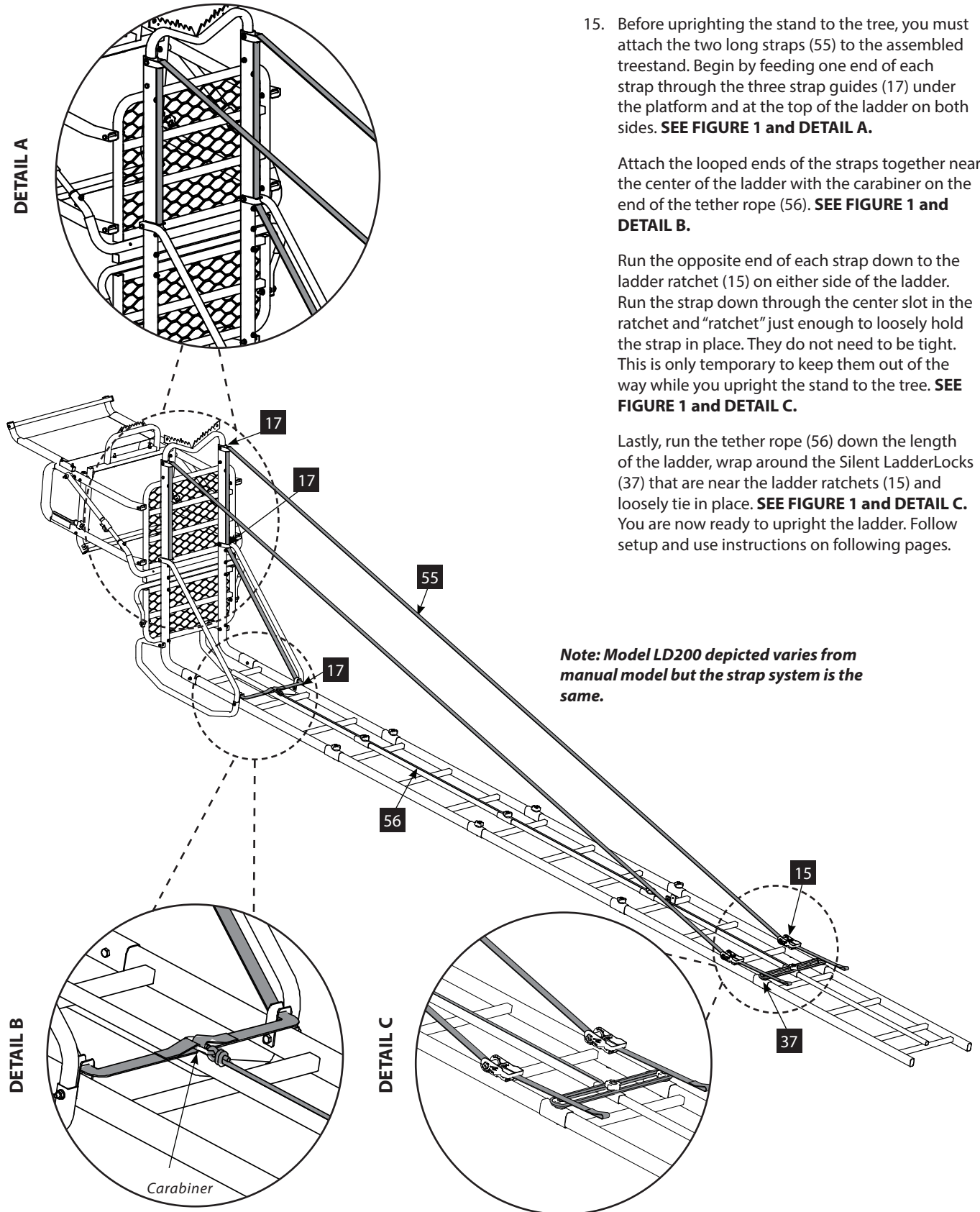
14. Ladder sections are assembled on the ground in the following order: bottom ladder section, ladder section with stabilizer bar mount, two middle ladders sections, and the top ladder section with the treestand assembly.

The ladder sections are secured together with the eight Silent LadderLocks with stud.



STEP 14

FIGURE 1



15. Before uprighting the stand to the tree, you must attach the two long straps (55) to the assembled treestand. Begin by feeding one end of each strap through the three strap guides (17) under the platform and at the top of the ladder on both sides. **SEE FIGURE 1 and DETAIL A.**

Attach the looped ends of the straps together near the center of the ladder with the carabiner on the end of the tether rope (56). **SEE FIGURE 1 and DETAIL B.**

Run the opposite end of each strap down to the ladder ratchet (15) on either side of the ladder. Run the strap down through the center slot in the ratchet and "ratchet" just enough to loosely hold the strap in place. They do not need to be tight. This is only temporary to keep them out of the way while you upright the stand. **SEE FIGURE 1 and DETAIL C.**

Lastly, run the tether rope (56) down the length of the ladder, wrap around the Silent LadderLocks (37) that are near the ladder ratchets (15) and loosely tie in place. **SEE FIGURE 1 and DETAIL C.** You are now ready to upright the ladder. Follow setup and use instructions on following pages.

Note: Model LD200 depicted varies from manual model but the strap system is the same.

STOP

READ AND UNDERSTAND THE FOLLOWING WARNINGS BEFORE SETUP AND USE

! WARNING

- ▲ Double check assembly steps to be certain you have correctly assembled this product.
- ▲ Study your new stand to become familiar with all of its features and design. At ground level, following provided use instructions, practice attaching stand to tree and removing stand from tree. Practice sitting, standing, and using this product before attaching overhead. Save these instructions for future reference. You must always use the provided Fall Arrest System (FAS) while using this product.
- ▲ Use at least three (3) people to install or remove/take down a ladder treestand.
- ▲ **Always** have two people stabilize the ladder before climbing to the platform the first time after every set-up.
- ▲ Be absolutely sure the tree blade(s) on stand and the stabilizer bar are contacting tree before climbing ladder.
- ▲ Stabilizer bar must always be correctly and securely attached to ladder and tree before climbing ladder.
- ▲ Make sure ladder bottom is firmly seated on dry, level ground. Attach your harness tether to the tree before securing the platform to the tree and stepping onto platform. Refer to the Full Body Harness instructions.
- ▲ **Never** ascend or descend ladder without straps/ropes securely holding ladder to tree and stabilizer bar securely attached. Failure to correctly perform these steps can cause the ladder to collapse/buckle-over backwards during the initial ascent to attach ratchet strap resulting in serious injury or death.
- ▲ **Always** lean forward as you climb and attach your harness to the tree before securing the platform to the tree with the provided ratchet straps.

! WARNING

- ▲ Bring ratchet strap(s) up with you in a pocket - **Do Not** carry in your hands!

! WARNING

- ▲ **Always** maintain three (3) points of contact when climbing a ladder treestand. Proper three-point contact means having either two feet with one hand or one foot with two hands on the step portion of the ladder or climbing aid at all times.
- ▲ **Always** wear the appropriate footwear when using a ladder treestand. A good non-slip safety boot is important to your personal safety. Be especially careful that boot laces do not get hooked on the stand or any of its components (tuck shoelaces into boots before climbing).
- ▲ **Never** stand on seat, it is designed for sitting only.
- ▲ **Do Not** allow excessive strap buildup in ratchet as this will prevent the ratchet teeth from engaging causing slippage.
- ▲ **Always** attach ratchet straps securely while using this product!
- ▲ If seat is removable, be certain it is securely attached when in use.
- ▲ Some models include a shooting rail. **Never** lean against, lean over, or sit on shooting rail. It is designed as a shooting rest only. **Always** be aware that the shooting rail can swing to one side or pivot up and down.
- ▲ Some models include a footrest, which is designed as a footrest only. **Never** stand on footrest! **Always** be fully aware of foot placement.
- ▲ Some models include a multi-piece stabilizer bar system. Be sure attachment hardware goes through all extension tubes of the stabilizer bar.

SET UP AND USE INSTRUCTIONS



WATCH THE SET-UP AND USE VIDEO ONLINE AT
WWW.HUNTRIVERSEEDGE.COM
TO ASSIST WITH THE SET-UP OF YOUR TREESTAND

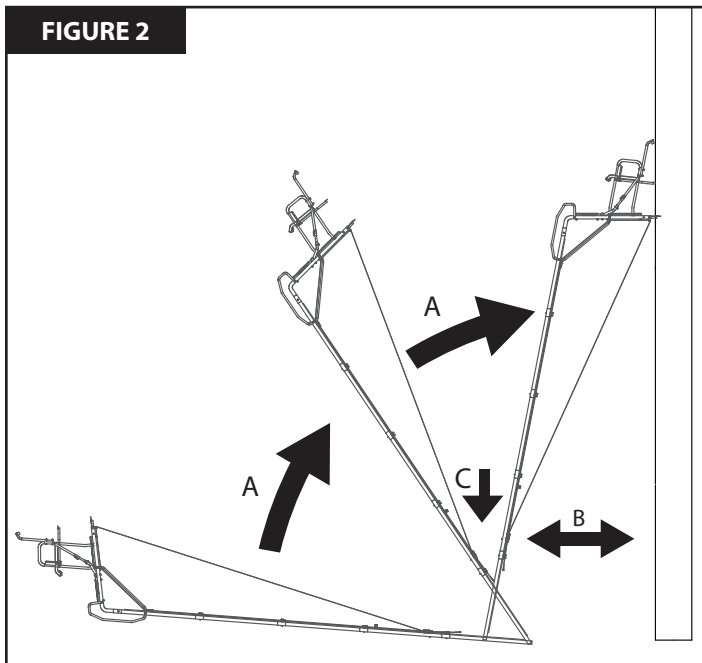
⚠ WARNING

- ▲ **Never** use, install, or remove a treestand on a dead, leaning, diseased or loose barked tree, or a utility pole.
- ▲ **Always** avoid electrical power lines.
- ▲ Bring ratchet strap(s) up with you in a pocket - **Do not** carry in your hands!

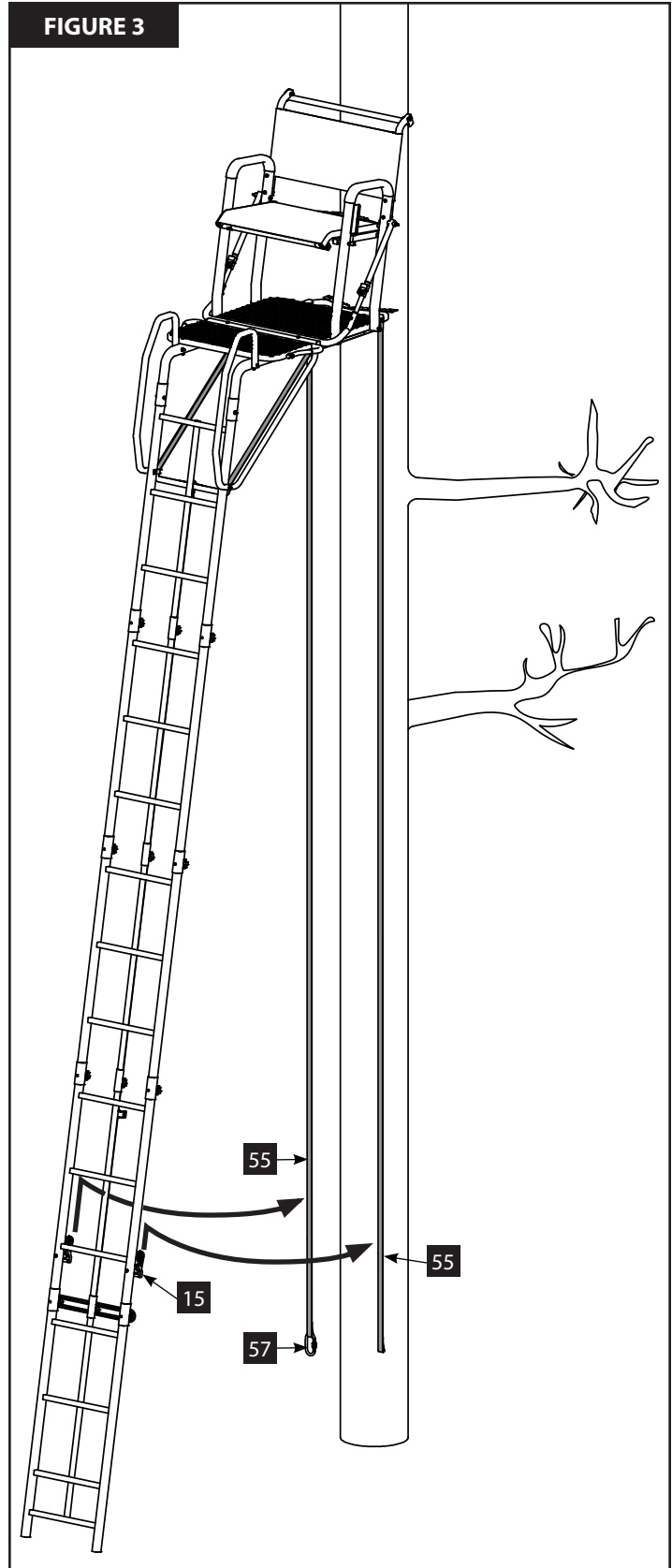
During installation and removal of ladder treestands, you must always and properly use the included Full Body Harness (Fall Arrest System). Refer to the Full Body Harness instructions included with this product for proper use.

1. Select a straight, healthy tree. Do Not attempt to install on a tree that is not healthy.
2. Place the assembled product lying on the ground in front of the tree with the bottom ladder section approximately five feet away from the base of the tree.
3. Position one person at bottom end of ladder. This person has to prevent the ladder end from tilting up and from skidding across the ground when platform end is lifted.
4. Position two people at the platform end of the ladder, lift the platform end and continue uprighting by walking toward bottom end of ladder while moving hands along ladder rails. Stand ladder up against chosen tree on dry, level ground. Use caution when ladder comes over center against the tree, as shown by arrow "A". **SEE FIGURE 2.**
5. Once elevated completely, carefully slide the base so that the sitting and standing platforms are parallel to the ground, as shown by arrow "B". **SEE FIGURE 2.**
6. Step back and look at the ladder top to see that both the lower platform tree blade and upper tree blade are contacting the tree. Adjust as needed so both of the tree blades are contacting the tree.
7. Step down hard on bottom step to push ladder legs into the ground, as shown by arrow "C". **SEE FIGURE 2.**
8. While two people hold the stand in place, the third person should complete the necessary steps on following pages to secure the stand to the tree.

FIGURE 2

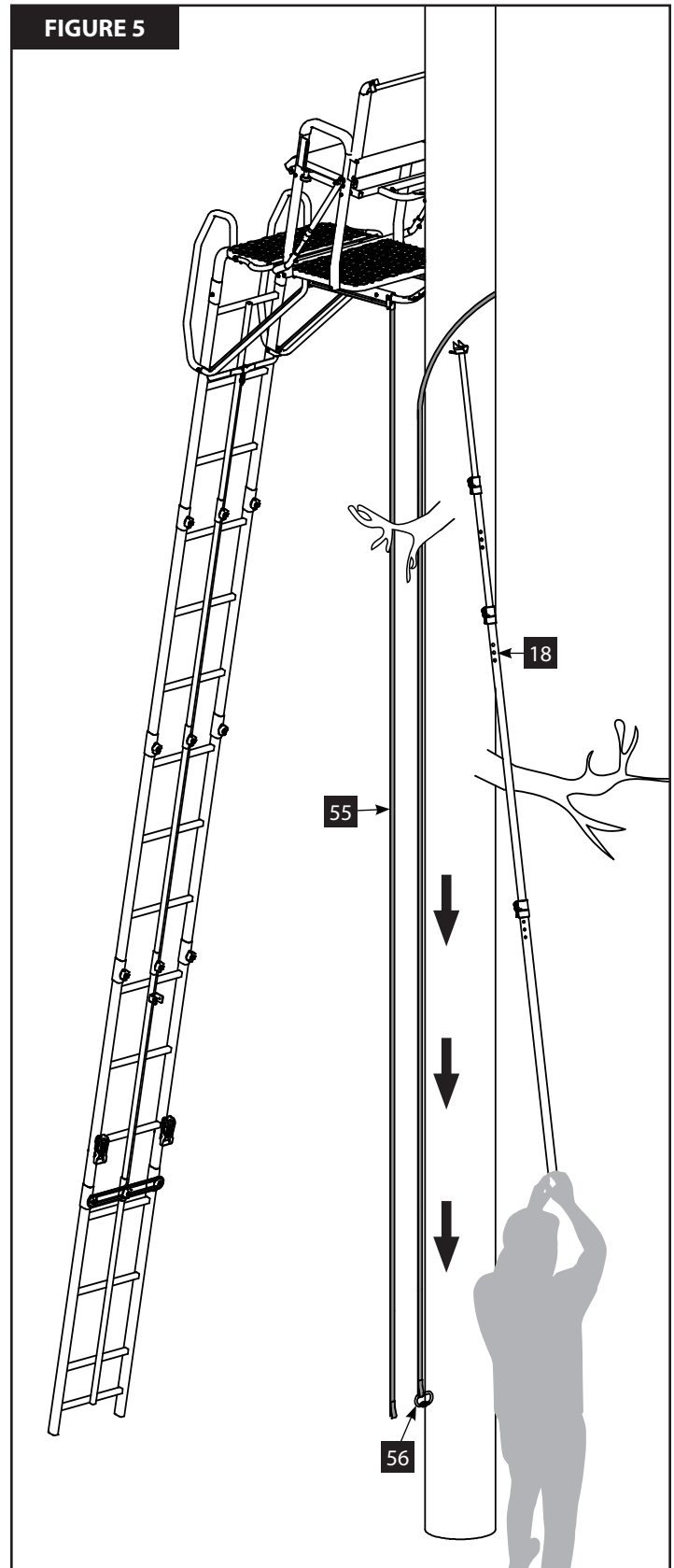
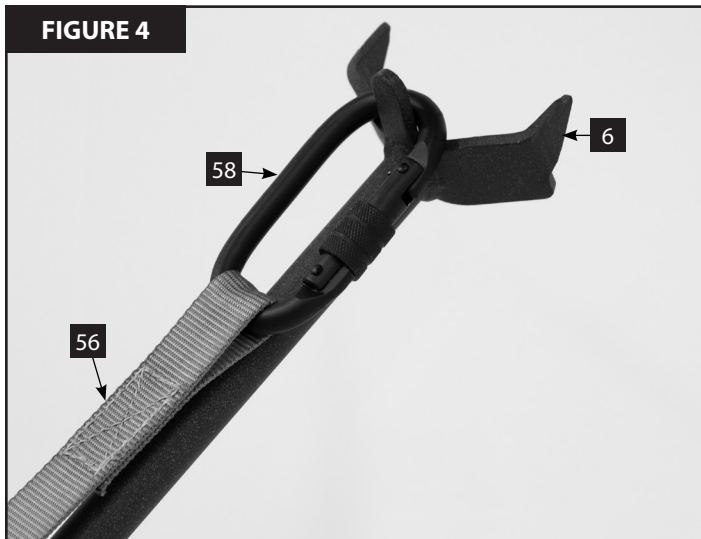


9. Begin by removing the long straps (55) from the ground level ratchets (15) and let them hang down on either side of the tree. **SEE FIGURE 3.**
10. Hook the large carabiner (57) to one of the long straps (55) that are hanging down near the tree. **SEE FIGURE 3. If the tree has branches between the ground and the top of the stand, proceed to the next step. If the tree is free of branches between the ground and the top of the stand, skip ahead to STEP 12.**



Note: Model LD200 depicted varies from manual model but the strap system is the same.

11. If the tree has branches between the ground and the top of the stand, before hooking the two long straps (55) together behind the tree with the carabiner (57), you must first get both straps on the same side of all of the branches. To do so, simply use the telescoping stabilizer bar (18) to lift up and drop the strap that has the carabiner hooked to it over the branches.
 - a. Hook the carabiner onto the end of the stabilizer bar as shown in **FIGURE 4**.
 - b. Then lift up and drop over each branch. The weight of the carabiner will drop the strap back down to ground level after each branch you drop it over.
 - c. Repeat dropping it over the branches until both straps are on the same side of all of the branches. **SEE FIGURE 5**. Then there will be a clear path for the straps and carabiner to rise up the back of the tree, all the way to the top of the stand.



12. Hook the two long straps (55) together behind the tree with the large carabiner (57). **SEE FIGURE 5.** Be sure to lock the carabiner with the screw locking mechanism. **SEE FIGURES 6 A-C.**
13. Unwrap the tether rope (56) from the Silent LadderLocks (37). Pull the rope down to raise the two long straps and carabiner up the back of the tree. **SEE FIGURE 7.** As the carabiner nears the top, you may have to use a back and forth “sawing” motion with the two straps so that the carabiner rises all the way up directly behind the bottom tree blade (3). The straps should be parallel with the platform of the stand. **SEE FIGURE 8.** If needed, you can use the telescoping stabilizer bar (18) to help raise the carabiner up.

! WARNING

! DO NOT use this product without the carabiner in the locked position. Failure to follow these instructions may result in serious injury or death!

FIGURE 6-A



1. Turn knob to unlock

FIGURE 6-B



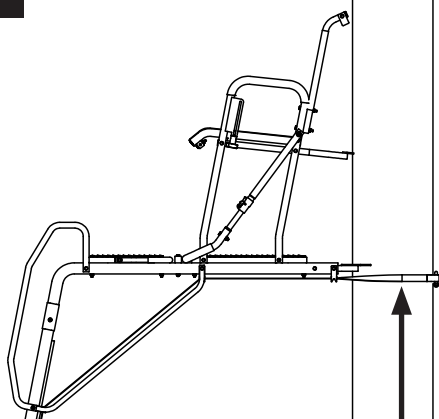
2. Press open latch

FIGURE 6-C



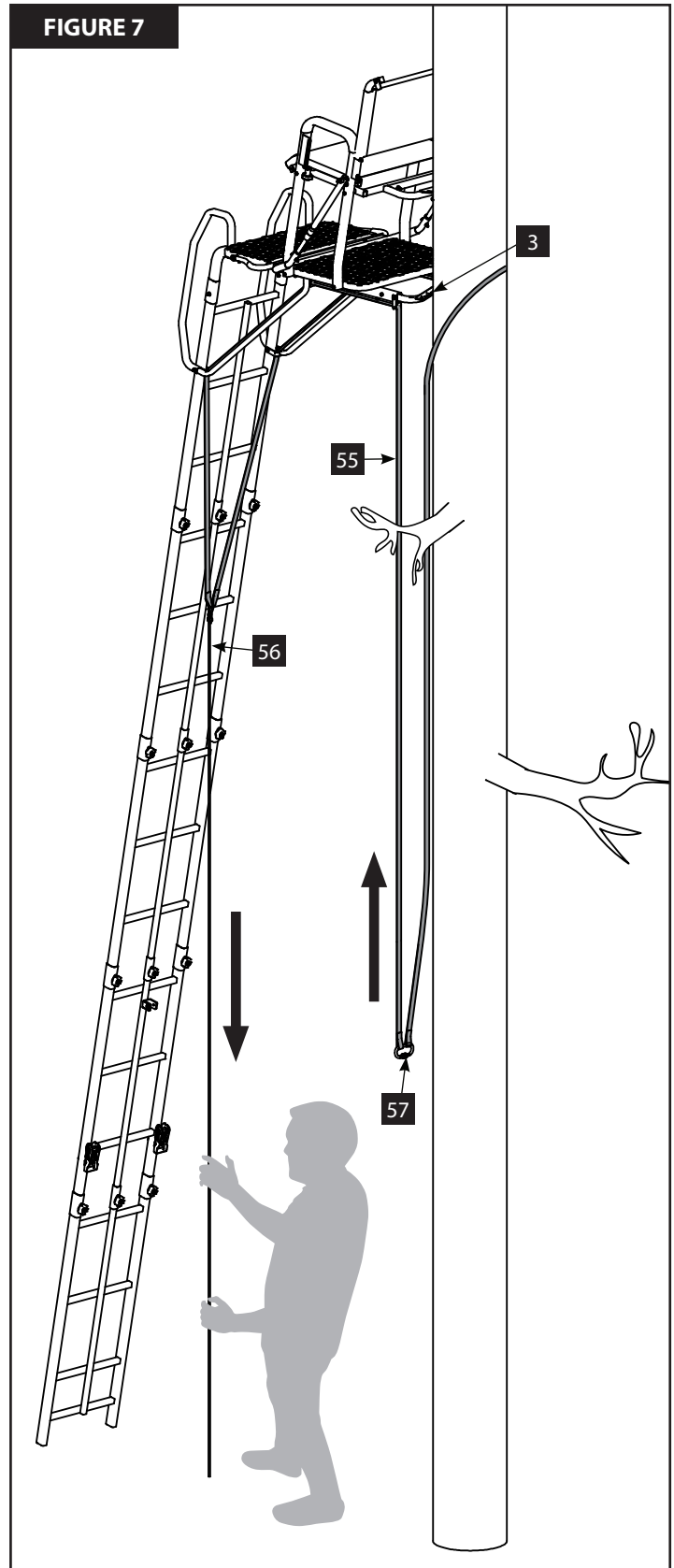
2. Turn knob to lock

FIGURE 8

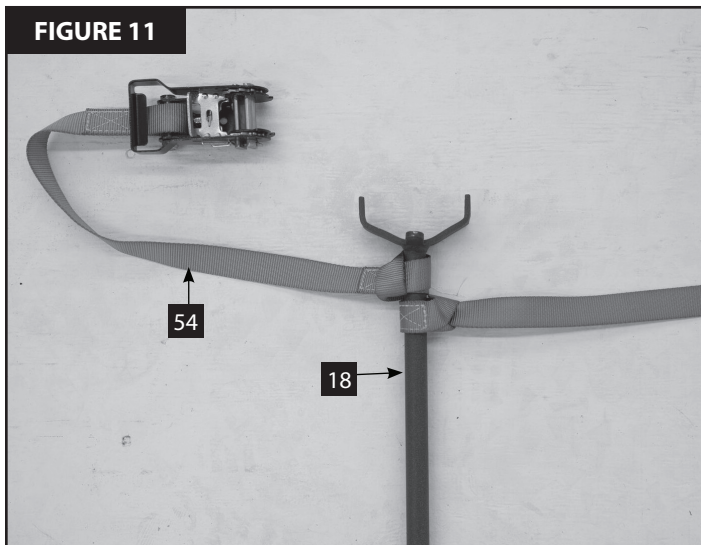
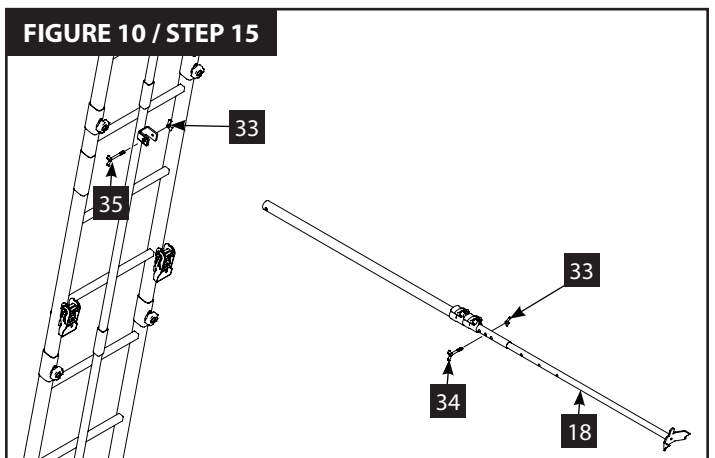
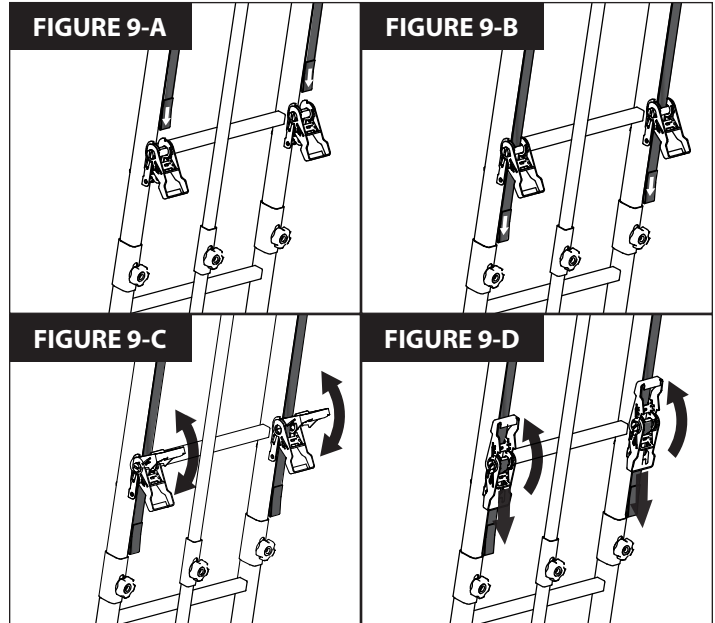


STRAPS AND CARABINER MUST BE STRAIGHT BEHIND TREE BLADE AND PARALLEL WITH THE PLATFORM

FIGURE 7



14. Once the straps (55) and carabiner (57) are all the way up the back of the tree, unhook the tether rope (56) from the two long straps (55) and set aside. The tether rope can later be used as a haul line to pull your gear up into the stand. Feed the straps down through the ladder ratchets (15) and ratchet a few cranks just to hold the straps in place. **SEE FIGURES 9 A-D** for proper use of ladder ratchets. **Do not fully ratchet the straps tight yet.**
15. Fully collapse the telescoping stabilizer bar (18) and install to the ladder using one 1/4-20 x 2-1/4 IN wing bolt (35) and wing nut (33). **SEE FIGURE 10.**
16. Extend only the bark-biter section of the stabilizer bar until it contacts the tree. Adjust the length of the stabilizer bar as needed and make sure it is parallel with the ground. Align the nearest hole and insert 1/4-20 X 1-3/4 IN wing bolt (34) and wing nut (33) and hand tighten to secure the length of the stabilizer bar. **SEE FIGURE 10.** Then attach the 8' ratchet strap (54) by forming a cinch knot around the stabilizer bar with both ends. **SEE FIGURE 11.** Wrap around the tree and ratchet tight.
17. Now that the stabilizer bar is installed, you can finish tightening the ground level ratchets (15) to secure the stand to the tree.
18. ***This ground level ladder-to-tree attachment will prevent the ladder from pulling away from the tree while ascending to the top for the final ratchet strap attachment. The same holds true when ladder removal is necessary. You are now ready to climb up and complete the final installation steps.***



INSTALLING THE RATCHET STRAPS (53)

19. **Be certain ladder bottom is firmly seated on dry, level ground.** With two people securely holding the base of the ladder, use the three point contact climbing method to slowly climb the ladder and carefully keep a constant hand grip on the ladder at all times. Always lean forward, towards the tree, while climbing. **Attach your harness tether to the tree before securing the platform to the tree with the provided ratchet straps. Refer to the Full Body Harness instructions included with this product.**

NOTE: Bring large ratchet straps up with you in a pocket. DO NOT carry in your hands!

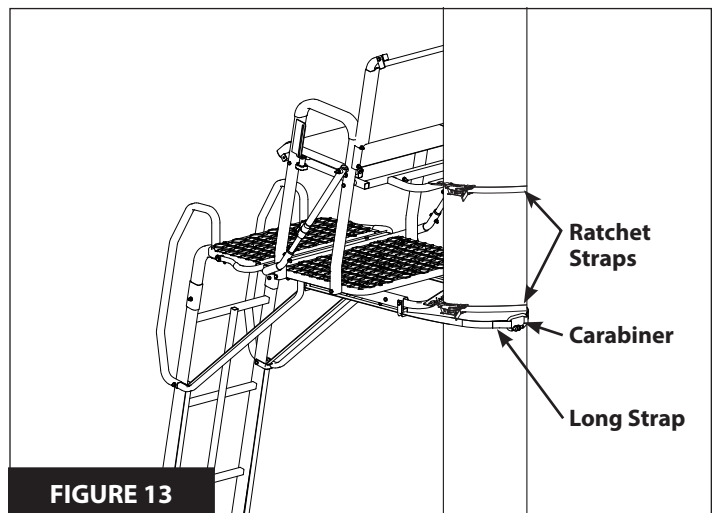
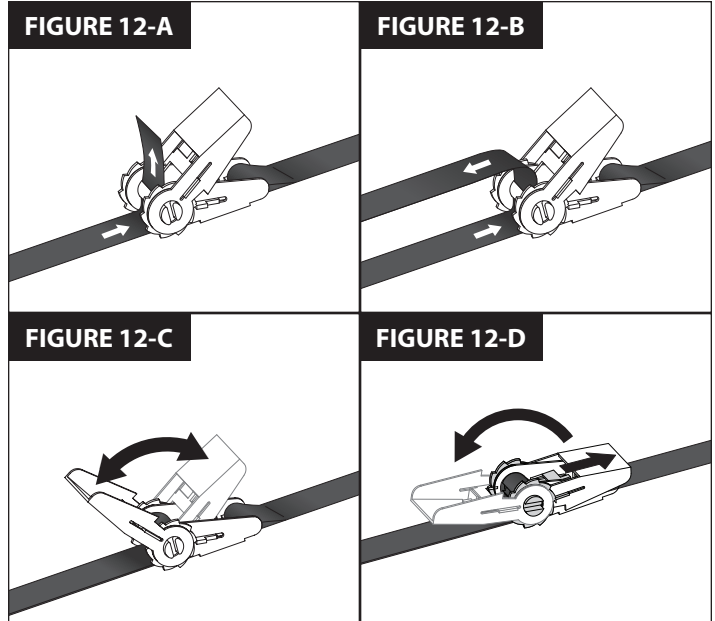
20. Once platform is reached and safety harness is secured to the tree, hook S-hook with long strap through one of the holes provided in top tree blade. Feed the long strap through the center slot of ratcheting mechanism and back around through tightening lever. **SEE FIGURES 12 A-B & 13.**

21. Wrap the ratchet assembly around the tree and hook other S-hook through opposite hole on top tree blade. Pull tail of long strap until most of the slack is taken out. Be sure entire strap is even and at the same level all around tree. "Ratchet" tight to tree. This will securely attach only the seat portion to the tree and prevent movement. **SEE FIGURES 12-C & 13.**

NOTE: To release ratchet, simply pull the release lever and open tightening lever wide open (flat). SEE FIGURE 12-D.

22. Repeat previous two steps for the bottom tree blade attachment. Place S-hook through holes provided on bottom tree blade.

23. To take the ladder stand down, first check the security of the ground level ratchets (15) and stabilizer straps (55). Then, with two people holding the bottom of the ladder, climb up, secure your safety harness to the tree and remove the top two ratchet straps (53). Then climb down and reverse the set-up and use instructions to complete the removal of the stand.



THE ULTIMATE SHOOTING RAIL USE INSTRUCTIONS

The shooting rail on this stand is unique. It has both up-and-down and in-and-out adjustment. It can also be flipped down and tucked away into the platform to get it out of the way for bow hunting.

SHOOTING RAIL ADJUSTMENT

1. To adjust the shooting rail up or down, simply loosen the two knobs, slide them up or down in the slots to the desired height, and tighten them back up. **SEE FIGURE 14.**
2. To adjust the shooting rail in or out, simply release the two clamp levers and slide the shooting rail to the desired position. Then, lock in place by flipping the levers back down. **SEE FIGURE 14.**

SHOOTING RAIL TUCKED-AWAY

3. To flip the shooting rail down and tuck it away into the platform, first flip it up over your head and let it rest against the tree.
4. Then, loosen the two knobs and slide/rotate them down in the slots and out of the way. **SEE FIGURE 15 AND DETAIL A.**
5. Then, flip the shooting rail down in front of you and release the two clamp levers. Flip it all the way down and slide it into the slot in the platform. Then lock in place by flipping the levers back down. **SEE FIGURE 15.**

Note: Model LD200 depicted varies from manual model but the shooting rail design is the same.

FIGURE 14

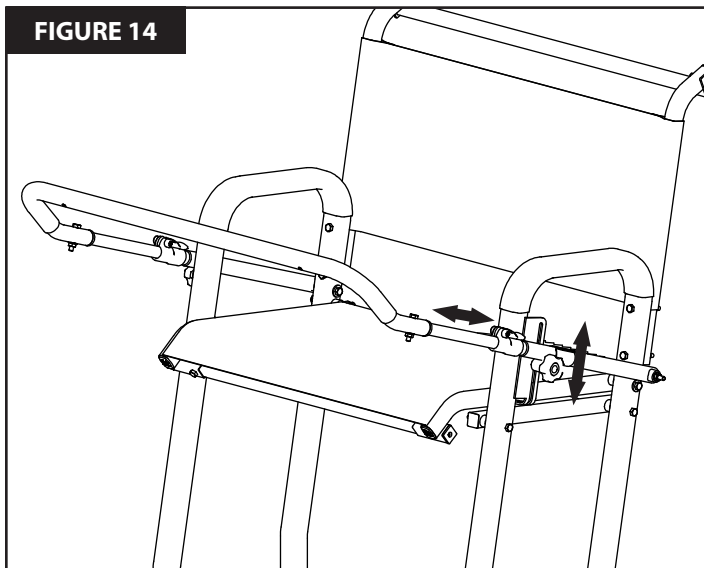
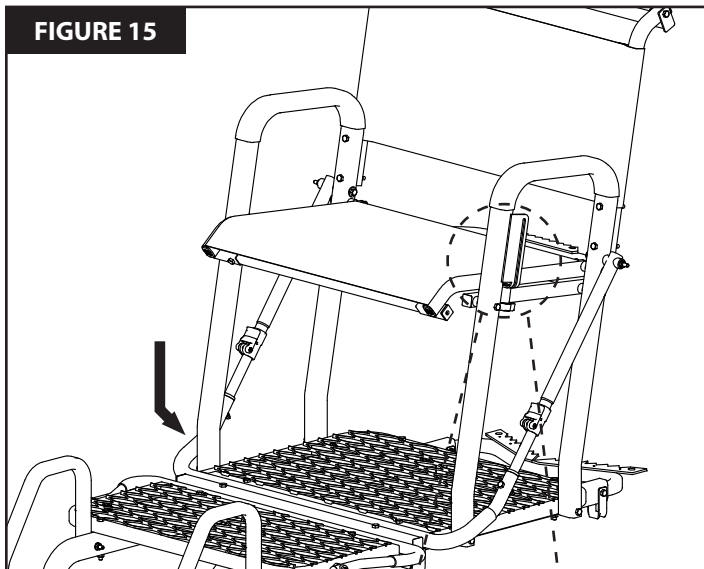
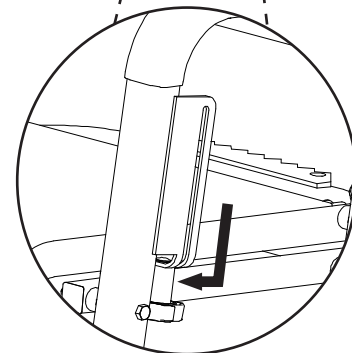


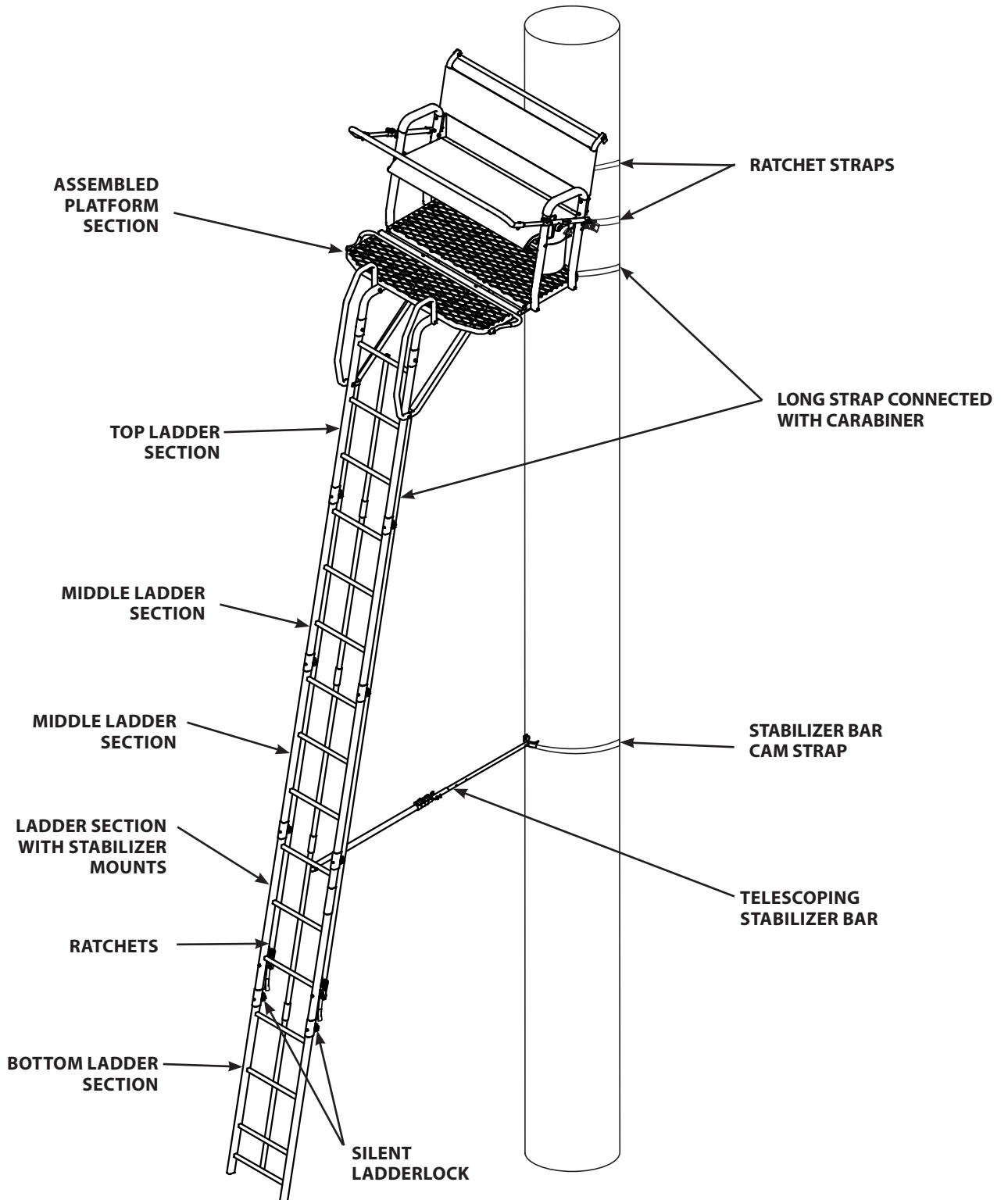
FIGURE 15



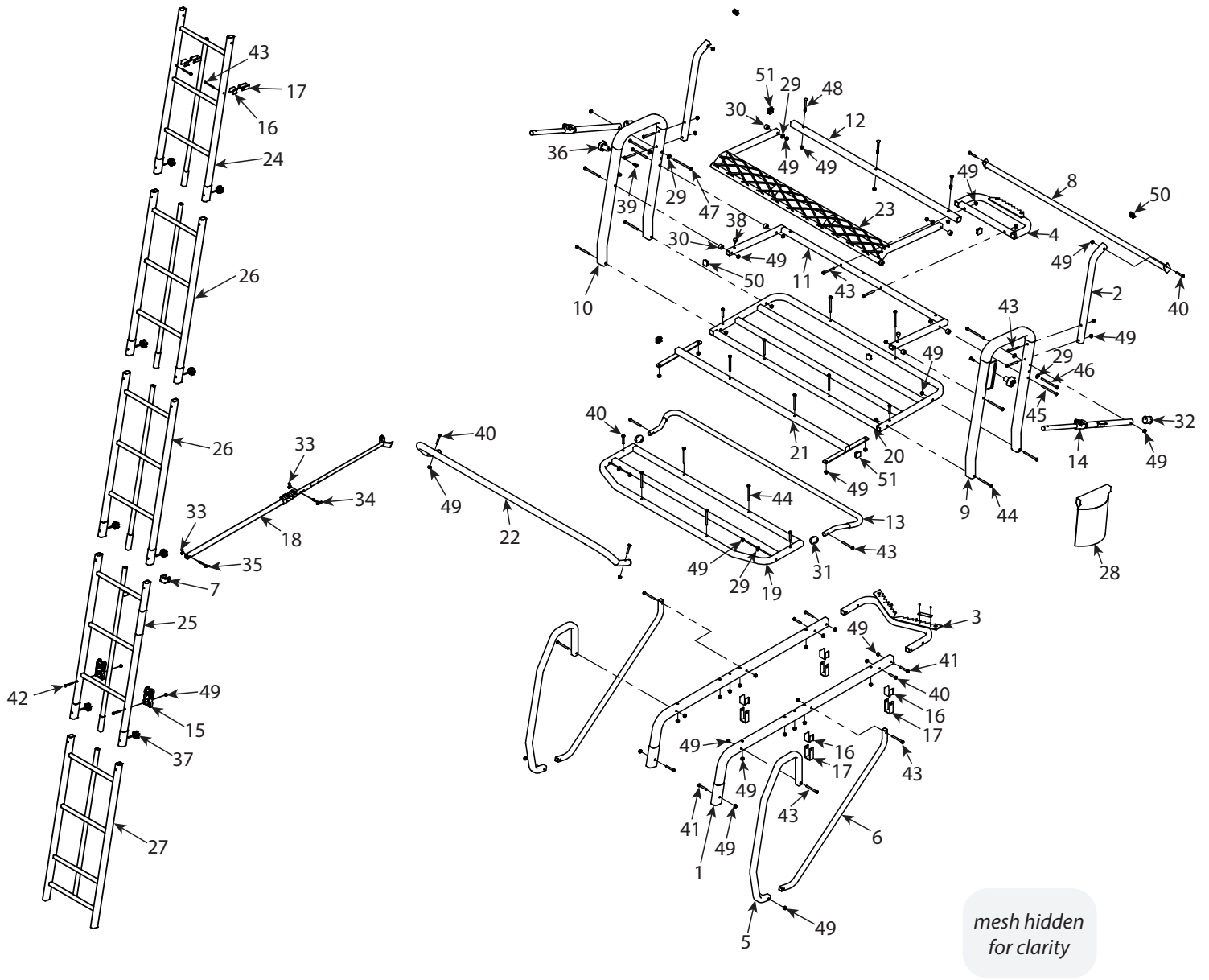
DETAIL A



FINISHED LADDER



ILLUSTRATED PARTS BREAKDOWN



PARTS LIST

ITEM #	PART #	DESCRIPTION	QTY.
1	34936	J TUBE	2
2	34975	BACKREST TUBE	2
3	35067	BOTTOM TREE BLADE	1
4	35084	TOP TREE BLADE	1
5	35085	LADDER HAND RAIL	2
6	35086	PLATFORM BRACE	2
7	35131	INSERT STABILIZER BAR MOUNT	1
8	35184	BACKREST SPREADER	1
9	35199	ARMREST LEFT W/VINYL DIP	1
10	35200	ARMREST RIGHT W/VINYL DIP	1
11	35202	SEAT SUPPORT	1
12	35215	REAR SEAT SUPPORT	1
13	35219	FOOT REST ROUND HIDDEN W/VINYL DIP	1
14	35229	ADJUST SHOOTING RAIL	1
15	35715	RATCHET LADDER	2
16	45356	STRAP GUIDE GUARD	6
17	45358	STRAP GUIDE	6
18	49526	STABILIZER BAR	1
19	51105	FRONT PLATFORM	1
20	51107	REAR PLATFORM	1
21	51109	CENTER PLATFORM	1
22	51111	SHOOTING RAIL	1
23	51113	BENCH	1
24	51145	TOP LADDER SECTION	1
25	51146	MIDDLE LADDER SECTION W/ STABILIZER BAR	1
26	51147	MIDDLE LADDER SECTION	2
27	51148	BOTTOM LADDER SECTION	1
28	51215	GEAR POCKET	1
29	23572	YELLOW PLASTIC WASHER 2 MM	8
30	36703	YELLOW PLASTIC SPACER 12 MM	6
31	51119	GREY CAP 18MM	2
32	51120	GREY CAP 25MM	2
33	48042B	WING NUT	2

ITEM #	PART #	DESCRIPTION	QTY.
34	48044B	WING BOLT 1/4 X 1-3/4 IN	1
35	48057B	WING BOLT 1/4 X 2-1/4 IN	1
36	28839	KNOB M6 X 29 MM	2
37	36719	KNOB SILENT LADDER W/STUD	8
38	48679	RUBBER BUMPER STOP	2
39	26813	BOLT M6 X 20 MM	2
40	48240B	BOLT 1/4 X 1-1/2 IN	10
41	48250B	BOLT 1/4 X 1-3/4 IN	4
42	48271B	BOLT 1/4 X 2-1/4 IN	2
43	48270B	BOLT 1/4 X 2-1/2 IN	14
44	48280B	BOLT 1/4 X 3 IN	14
45	36704	BOLT 1/4 X 3-1/2 IN	4
46	29676	BOLT 1/4 X 3-3/4 IN	2
47	36705	BOLT 1/4 X 4 IN	2
48	35721	BOLT 1/4 X 2-1/2 IN	3
49	48752B	NUT 1/4 IN	55
50	29712	SQ PLUG 22 MM	4
51	32783	SQ PLUG 25 MM	4
ITEMS BELOW NOT SHOWN			
52	43375	HARNESS	2
53	35135	ASSEMBLY 8 FT RATCHET STRAP W/ S-HOOKS	2
54	35159	RATCHET STRAP ASSEMBLY 8 FT	1
55	35140	STABILIZER STRAP 21 FT	2
56	30777	TETHER ROPE	1
57	35743	LARGE CARABINER	1

**NO EXTENSIONS AVAILABLE FOR THIS MODEL.
 NEVER MODIFY OR EXCEED ORIGINAL STATED USE HEIGHT!**

LOCKDOWN™

BIG, COMFORTABLE TREESTANDS

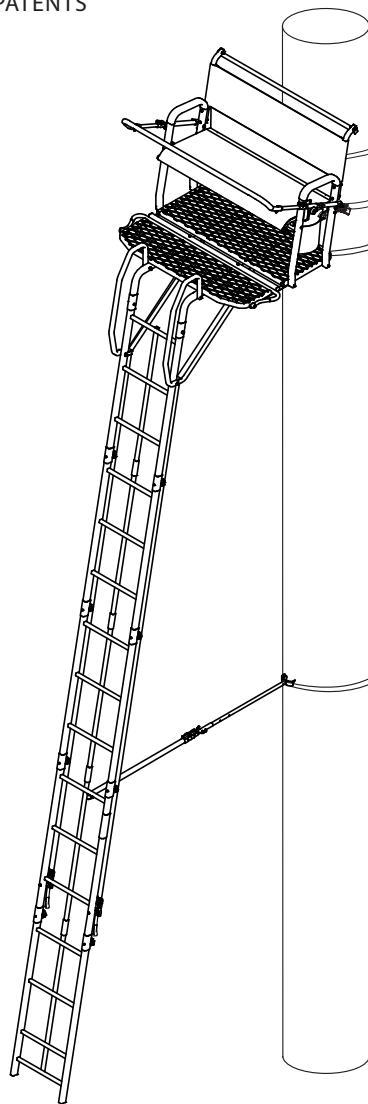
by

RIVERS  **EDGE®**
TREESTANDS

Ardisam, Inc.
1730 Industrial Avenue,
Cumberland, WI 54829

Phone: 800-345-6007
Fax: 715-822-2124
www.huntriversedge.com

*All weights, specifications and features are approximate and are subject to change without notice. Due to continuous product improvements, product images may not be exact. Warning labels in some product images may have been removed for photography purposes only. Props shown in photos not included. Some assembly may be required.



Échelle d'affût LOCKDOWN 6,4 m (21 pi) 2 PERSONNES

MODÈLE LD207

Hauteur maximale

6,4 m (21 pi) jusqu'au
rail de tir

Capacité nominale maximale

227 kg (500 lb); pas plus de
159 kg (350 lb) par personne.

Diamètre d'arbre :

30 à 76 cm (12 à 30 po)

Je porte mon
harnais!



ATTENTION

LISEZ TOUTES LES INSTRUCTIONS ÉCRITES ET VISIONNEZ
CETTE VIDÉO DE SÉCURITÉ AVANT L'UTILISATION!



VISIONNEZ CETTE VIDÉO DE
SÉCURITÉ AVANT L'UTILISATION!

Lisez →



ou Visitez →

www.standsafety.com/r3

Lisez le code QR avec un téléphone intelligent,
une tablette ou un appareil semblable.

OU

Entrez l'adresse du site web dans votre
navigateur pour visionner une vidéo importante
sur la sécurité avant d'utiliser ce produit.

SÉCURITÉ DE L'ÉCHELLE D'AFFÛT

PRODUCT MEETS
INDUSTRY STANDARDS
RECOGNIZED BY



PARTICIPATING MEMBER

Pièces détachées en ligne à
www.HuntRiversEdge.com

© 2026 RETI
Tous droits réservés

Réf. : 51127
C/N : 51224
REV2: 04/01/2026

INTRODUCTION

Les treestands Rivers Edge® sont conçus spécifiquement à l'intention du chasseur. Nous vous remercions d'avoir acheté un de nos treestands de renommée mondiale. Veillez à suivre ces instructions simples et votre treestand offrira de nombreuses années de service sans problème. Il est conseillé de conserver les instructions dans un endroit sûr et de les relire au moins une fois par an.

En cas de quelconques problèmes avec le produit ou s'il manque des pièces, **NE PAS le renvoyer au revendeur**; communiquer avec le service après-vente Rivers Edge® au 800-345-6007 pour assistance.

SOMMAIRE

Introduction/Garantie	2
Avertissements.....	3-4
Contrôle et entretien.....	4
Identification de la visserie	5-7
Instructions d'assemblage	8-16
Avertissements.....	17
Instructions de mise en place et d'utilisation	18-23
Mode d'emploi du rail de tir Ultimate.....	24
Échelle assemblée.....	25
Illustration des pièces détachées	26-27

GARANTIE

RETI offre une **garantie d'un an** sur tous les composants du treestand. Ces garanties s'appliquent au propriétaire initial muni d'une preuve d'achat. Ces garanties prennent effet à la date d'achat par le premier acheteur au détail et s'étendent sur la période indiquée ci-dessus. Ces garanties s'appliquent à des produits qui ne sont pas modifiés, maltraités ou utilisés d'une façon non conforme à l'usage prévu du produit. Une légère décoloration est normale et n'est pas couverte par la garantie. Toute corrosion des surfaces peintes résultant de l'enlèvement ou de l'endommagement de la peinture n'est pas non plus couverte par la garantie. RETI n'offre aucune autre garantie explicite ou implicite. Les produits pour lesquels des travaux de garantie ont été approuvés doivent être envoyés directement à RETI et exécutés par RETI. **Pour recourir aux services de réparation ou de remplacement sous garantie, l'accord préalable de RETI doit être obtenu avant l'envoi du colis en appelant notre service après-vente au 800-345-6007 ou en écrivant à : Ardisam, Inc., P.O. Box 666, 1730 Industrial Avenue, Cumberland, WI 54829 (USA) pour obtenir un numéro d'autorisation de renvoi de matériel (RMA#).** Tous les articles doivent être expédiés en port payé. RETI à son entière discrétion, réparera ou remplacera sans frais tout produit qui remplit les conditions énoncées ci-dessus. RETI se réserve le droit de modifier les modèles, les caractéristiques et les prix sans préavis.

Ce matériel a été fabriqué dans le respect de strictes règles de qualité et de sécurité. Comme pour tout matériel de ce type, il est obligatoire et impératif de comprendre complètement le mode d'emploi pour assurer la sécurité de son utilisateur. RETI décline toute responsabilité pour les dommages matériels ou corporels subis à la suite d'une utilisation inappropriée ou d'une modification de l'un quelconque de ses produits ou résultant de toute utilisation non conforme à l'usage prévu du produit. RETI décline toute responsabilité pour les dommages corporels subis parce que le mode d'emploi n'a pas été lu ou respecté. Tout malentendu ou toute question concernant les produits ou leur utilisation doivent être adressés à RETI avant toute utilisation. **Tous les treestands RETI sont vendus avec un harnais intégral (« système antichute ») qui répond à des normes reconnues par la Treestand Manufacturer's Association (« TMA »).** Le propriétaire a pour entière responsabilité de vérifier régulièrement le bon état du produit, sa bonne installation et l'absence de conditions susceptibles de compromettre la sécurité finale du produit. Le fait de ne pas utiliser le système antichute fourni ou sa mauvaise utilisation peuvent entraîner des blessures graves, voire mortelles. **TOUJOURS porter le système antichute fourni lors de l'utilisation de ce produit. Le propriétaire a pour responsabilité de comprendre et de respecter la capacité de poids nominale du produit sur le terrain et ne doit jamais dépasser sa capacité nominale maximale.** RETI décline toute responsabilité pour tout problème de fonctionnement ou toute blessure résultant de l'usure normale ou de dommages causés par une mauvaise utilisation, un mauvais entretien, une négligence ou un accident. Ce produit, s'il est utilisé de façon sécuritaire aux fins prévues, fonctionnera sans problème pendant toute sa durée de vie. Nous espérons que vous apprécierez la qualité de nos produits pendant de nombreuses années et vous souhaitons une bonne chasse.

ARRÊT LIRE ET COMPRENDRE LES AVERTISSEMENTS SUIVANTS AVANT D'ASSEMBLER
MODÈLE LD207

**HAUTEUR MAXIMALE UTILE - 6,25 M (20 PI 6 PO)
JUSQU'AU RAIL DE TIR**

CAPACITÉ MAXIMALE - DEUX (2) PERSONNES

**LIMITE DE POIDS TOTAL - 227 KG (500 LB)
(159 kg [350 lb] max. par personne)**

DIAMÈTRE D'ARBRE - 30 À 76 CM (12 À 30 PO)


AVERTISSEMENT

- ▲ Ce produit est soumis à de strictes restrictions de taille et de poids. **Ne pas** utiliser ce produit en cas de dépassement de la limite de poids total. On notera que le poids total comprend le ou les utilisateurs et tout leur matériel.


AVERTISSEMENT

- ▲ **Lorsqu'on monte ou qu'on démonte un treestand, un trépied ou un mirador ou qu'on l'utilise pour chasser, une chute est possible à tout moment après avoir quitté le sol, pouvant provoquer des blessures ou la mort.**
- ▲ Lors de l'utilisation, le montage ou le démontage d'un treestand, toujours porter un système antichute comportant un harnais intégral à tout moment après avoir quitté le sol. Veiller à rester attaché en permanence après avoir quitté le sol lors de l'utilisation d'un treestand auto-grimpant ou lors de l'utilisation, du montage ou du démontage d'un treestand suspendu. Les ceintures de sécurité simples et les baudriers de poitrine ne sont plus autorisés et ne doivent jamais être utilisés. Lors de l'utilisation, du montage ou du démontage d'un treestand, ne pas quitter le sol à moins de porter un harnais intégral correctement attaché à l'arbre pour protéger contre les chutes.
- ▲ **Lire et comprendre** toutes les mises en garde et instructions du fabricant et utiliser tous les dispositifs de sécurité prévus par le fabricant. Pour écarter les risques de blessure ou de mort, adresser toute question directement au fabricant.
- ▲ **Ne jamais** dépasser la limite de poids total du treestand.
- ▲ **Ne jamais** utiliser, monter ou démonter un treestand, un trépied ou un mirador lors d'intempéries telles que la pluie, des éclairs, une tempête de vent ou du verglas. Interrompre la chasse et redescendre si les conditions météo se dégradent.
- ▲ **Ne jamais** utiliser, monter ou démonter un treestand, un trépied ou un mirador après avoir consommé des drogues (même des médicaments sur ordonnance) ou de l'alcool.


AVERTISSEMENT

- ▲ **Ne jamais** utiliser, monter ou démonter un treestand, un trépied ou un mirador en cas de sensation de malaise, de nausées ou de vertiges, en cas d'état de santé antérieur susceptible de causer un problème, notamment une affection cardiaque, des blocages articulaires, une fusion vertébrale, etc. ou si on n'est pas bien reposé.
- ▲ **Ne jamais** dormir dans un treestand.
- ▲ **Ne jamais** utiliser, monter ou démonter un treestand sur un arbre mort, penché, malade ou dont l'écorce se détache ni sur un poteau électrique.
- ▲ **Toujours** éviter les lignes électriques.
- ▲ **Ne jamais** utiliser une branche d'arbre en tant que support.
- ▲ **Ne jamais** sauter sur un treestand pour bien l'asseoir sur l'arbre.
- ▲ Ne hisser un arc, un sac à dos, une arme à feu ou tout autre matériel qu'après s'être installé en toute sécurité dans le treestand. Une arme à feu devra être hissée déchargée, avec la chambre ouverte et la bouche du canon vers le bas.
- ▲ **Toujours** informer quelqu'un du lieu de chasse, de l'emplacement du treestand et de la durée prévue de la chasse.
- ▲ Un moyen de signalisation tel qu'un téléphone portable, une radio, un sifflet, une fusée de signalisation ou une balise de localisation personnelle (BLP) devra être porté en permanence sur soi et facilement accessible.
- ▲ **Ne jamais** laisser un treestand dans un arbre pendant plus de deux semaines pour éviter qu'il soit endommagé par les intempéries ou les animaux. La croissance des arbres peut également tirer sur les sangles et les boucles et les endommager.
- ▲ Vérifier le treestand et tous les dispositifs de sécurité avant chaque utilisation et **ne pas** entreposer le treestand à l'extérieur entre les utilisations.
- ▲ **Ne jamais** modifier le treestand de quelque façon que ce soit, par des réparations, le remplacement de pièces ou autres altérations, sauf sur autorisation écrite explicite du fabricant.
- ▲ S'entraîner à monter, à régler, à démonter et à utiliser le treestand au niveau du sol avant de l'utiliser en hauteur. Étudier le nouveau treestand pour se familiariser avec toutes ses caractéristiques et sa conception. Cela permet de vérifier que le produit a été fabriqué, assemblé et installé correctement.
- ▲ Il est conseillé de conserver les instructions (écrites ou vidéo) dans un endroit sûr et de les revoir au moins une fois par an. Il relève de la responsabilité du propriétaire du treestand de fournir des instructions complètes à toute personne qui emprunte ou achète le treestand.

AVERTISSEMENT

- ▲ Le montage et le démontage d'un treestand à échelle nécessite au moins trois (3) personnes.
- ▲ Vérifier que les sangles ou cordes croisées et les dispositifs de stabilisation sont attachés avant de monter sur la plateforme.
- ▲ Lors du montage d'une échelle d'affût, toujours sautiller sur le premier échelon pour caler l'échelle dans le sol, conformément aux instructions du fabricant, avant de grimper plus haut.
- ▲ Avant de quitter le sol, toujours vérifier le raccordement de chaque section d'échelle à chaque fois qu'on se sert du treestand. Si des sections d'échelle se séparent, ne pas utiliser le treestand.
- ▲ **Toujours** maintenir trois (3) points de contact lors de l'ascension d'une échelle d'affût. Un bon contact en trois points signifie qu'il y a à tout moment deux pieds et une main ou un pied et deux mains posés sur un échelon de l'échelle ou de l'aide à l'escalade.
- ▲ **Toujours** se pencher l'avant pour grimper et attacher son harnais à l'arbre avant de fixer la plateforme à l'arbre et poser le pied sur la plateforme.
- ▲ **Ne jamais** dépasser la hauteur maximale d'utilisation indiquée.
- ▲ **Ne pas** utiliser ce produit avant d'avoir visionné la vidéo de sécurité en ligne, de l'avoir comprise et d'avoir mis en pratique les techniques de chasse sécuritaire présentées dans cette vidéo. La vidéo est accessible au moyen du code QR ou de l'URL figurant sur la couverture de ce manuel.
- ▲ Lire et suivre les instructions de contrôle et d'entretien avant chaque utilisation. Remplacer immédiatement tout composant en état douteux par des pièces de rechange d'origine RETI.
- ▲ **Ne pas** écraser le tube lors du serrage des boulons! Veiller à identifier et à se familiariser avec toutes les pièces avant de commencer. Il y a un tableau d'identification de la visserie au dos.
- ▲ Révérifier les étapes de l'assemblage pour s'assurer d'avoir correctement assemblé ce produit.
- ▲ **Ne jamais** utiliser un produit qui n'a pas été entretenu ou inspecté correctement — Votre vie en dépend!
- ▲ Changer toutes les sangles du treestand tous les deux ans ou dès qu'elles présentent des signes de détérioration ou d'usure.
- ▲ **Toujours** porter des chaussures adaptées pour utiliser un treestand à échelle. Un bon brodequin de sécurité antidérapant est important pour la sécurité personnelle. Veiller tout particulièrement à éviter que les lacets des chaussures n'accrochent le poste d'affût ou l'un de ses composants (pousser les lacets dans les chaussures avant de grimper).

AVERTISSEMENT

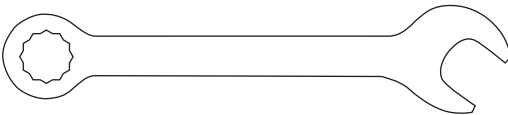

- ▲ Utiliser **uniquement** des pièces RETI homologuées. pour éviter des blessures graves voire mortelles.

CONTRÔLE ET ENTRETIEN

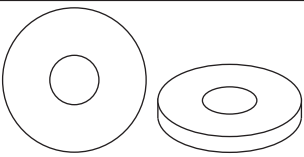
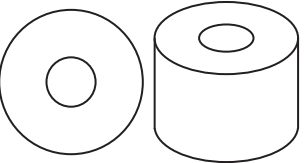
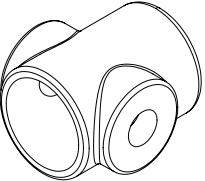
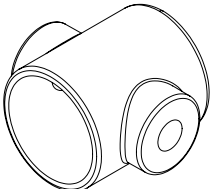
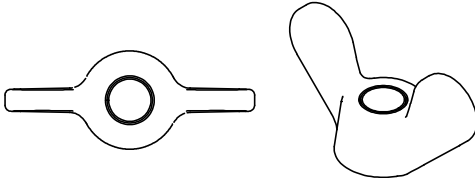
AVANT CHAQUE UTILISATION, PROCÉDER COMME SUIVIT :

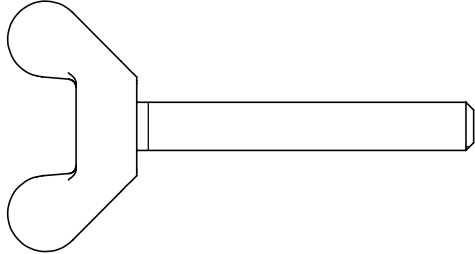
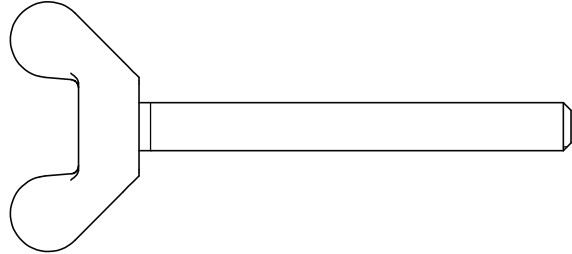
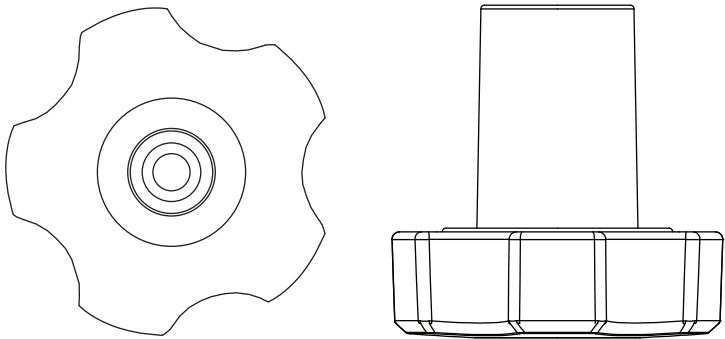
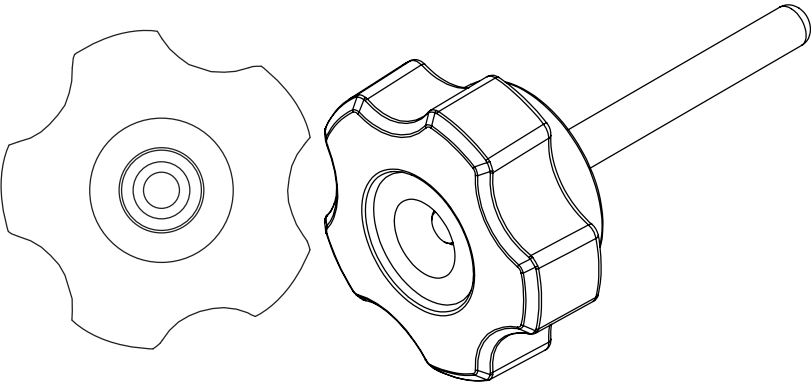
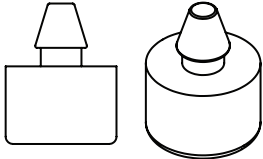
- Contrôler l'état général et l'usure de toutes les sangles, filins, cordages et courroies.
- Vérifier que les câbles et leurs extrémités ne sont pas endommagés ni pincés.
- Vérifier que la visserie et les éléments de chaîne ne sont pas endommagés ou usés.
- Vérifier que le produit ne présente pas de dommages structurels (s'il y en a, cesser immédiatement d'utiliser le produit et appeler le service après-vente de RETI).
- Vérifier que toutes les vis et tous les écrous sont bien serrés.
- Vérifier qu'il ne manque aucune pièce.
- Lubrifier tous les pivots et les assemblages coulissants avec du graphite en poudre, de la vaseline ou du silicone en aérosol pour éviter le bruit, l'usure et la rouille.
- Contrôler l'ensemble du produit pour vérifier l'absence de rouille, de corrosion, de fissures, de dommages par le gel ou par une chaleur excessive et de pourriture susceptibles de nuire à la sécurité du produit. Mettre tout produit douteux au rebut.
- Contrôler l'ensemble du produit pour vérifier l'absence de dommages structurels; accorder attention particulière à tous les assemblage soudés (mettre tout produit endommagé au rebut).
- À l'aide des bonnes clés, contrôler tous les assemblages boulonnés et resserrer les vis et écrous comme il se doit. Attention à ne pas écraser le tube lors du serrage!
- Inspecter et vérifier le bon fonctionnement de tous les câbles, extrémités de câbles, filins, cordes, sangles et mécanismes à courroie ou à chaîne. Remplacer par des pièces de rechange d'origine RETI tout élément ou assemblage présentant des signes d'usure, de détérioration, de pincement ou de mauvais fonctionnement.
- Vérifier que le siège n'est pas endommagé ni usé. Remplacer par un siège neuf d'origine tout siège présentant des signes de dommage structurel ou d'usure.
- Ne jamais modifier le poste d'affût de quelque façon que ce soit, par des réparations, le remplacement de pièces ou autres altérations par l'ajout ou la fixation de quoi que ce soit, sauf sur autorisation écrite explicite du fabricant.

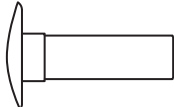
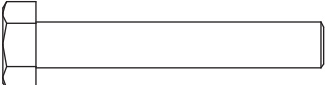
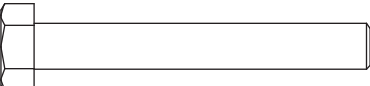
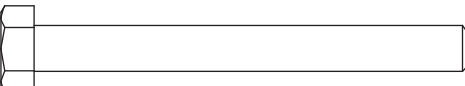
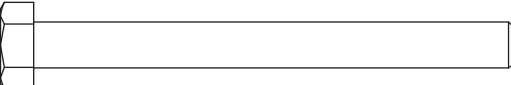
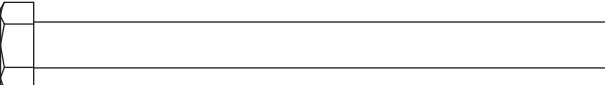



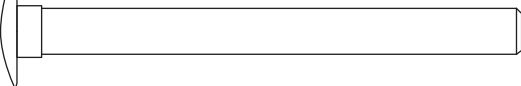
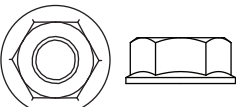
OUTILLAGE NÉCESSAIRE

-	-	CLÉS DE 7/16 PO		2
-	27477	CLÉ ALLEN DE 4 MM (FOURNIE)		1

QUINCAILLERIE

Article	N° réf.	Description	Illustration	Qté
29	23572	RONDELLE PLASTIQUE JAUNE 2 MM		8
30	36703	BAGUE D'ESPACEMENT PLASTIQUE JAUNE 12 MM		6
31	51119	CAPUCHON GRIS 18 MM		2
32	51120	CAPUCHON GRIS 25 MM		2
33	48042B	ÉCROU PAPILLON		2

Article	N° réf.	Description	Illustration	Qté
34	48044B	VIS PAPILLON 1/4 X 1-3/4 PO		1
35	48057B	VIS PAPILLON 1/4 X 2-1/4 PO		1
36	28839	BOUTON M6 X 29 MM		2
37	36719	BOUTON À TIGE SILENT LADDERLOCK		6
38	48679	BUTOIR EN CAOUTCHOUC		2

Article	N° réf.	Description	Illustration	Qté
39	26813	VIS M6 X 20 MM		2
40	48240B	VIS 1/4 X 1-1/2 PO		10
41	48250B	VIS 1/4 X 1-3/4 PO		4
42	48271B	VIS 1/4 X 2-1/4 PO		2
43	48270B	VIS 1/4 X 2-1/2 PO		14
44	48280B	VIS 1/4 X 3 PO		14
45	36704	VIS 1/4 X 3-1/2 PO		4
46	29676	VIS 1/4 X 3-3/4 PO		2
47	36705	VIS 1/4 X 4 PO		2
48	35721	VIS 1/4 X 2-1/2 PO		3
49	48752B	ÉCROU 1/4 PO		55

INSTRUCTIONS D'ASSEMBLAGE

CONSEIL D'ASSEMBLAGE IMPORTANT :

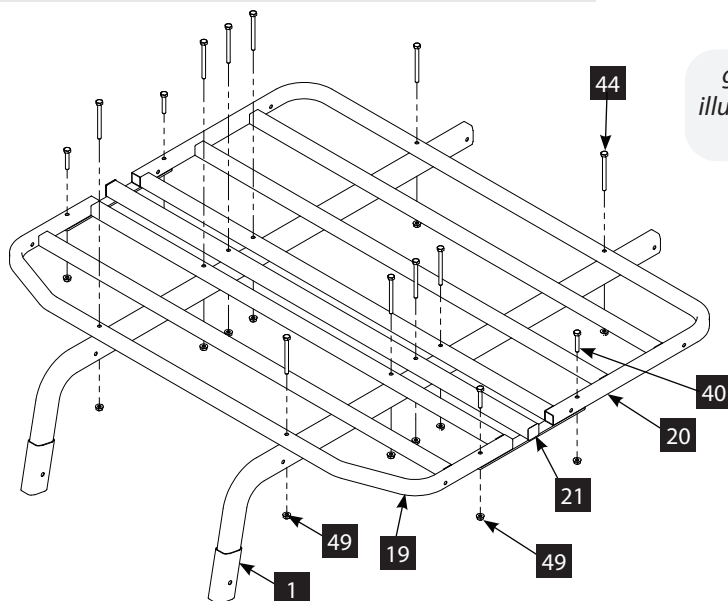
Ne serrer aucun ensemble vis et écrou complètement avant d'avoir assemblé toutes les pièces boulonnées! Serrer au doigt puis d'un tour supplémentaire à la clé seulement! Cela maintient provisoirement le contre-écrou sur la vis tout en permettant le bon alignement de toutes les pièces. Une fois toutes les pièces assemblées, tous les ensembles vis et écrous doivent être complètement serrés.

Tous l'assemblage doit être effectué dans cet ordre sur le sol avant de redresser l'ensemble.

Ne pas enlever les étiquettes ou autocollants de mise en garde du produit, ils sont là pour des raisons de sécurité.

Utilisation recommandée par un adulte seulement.

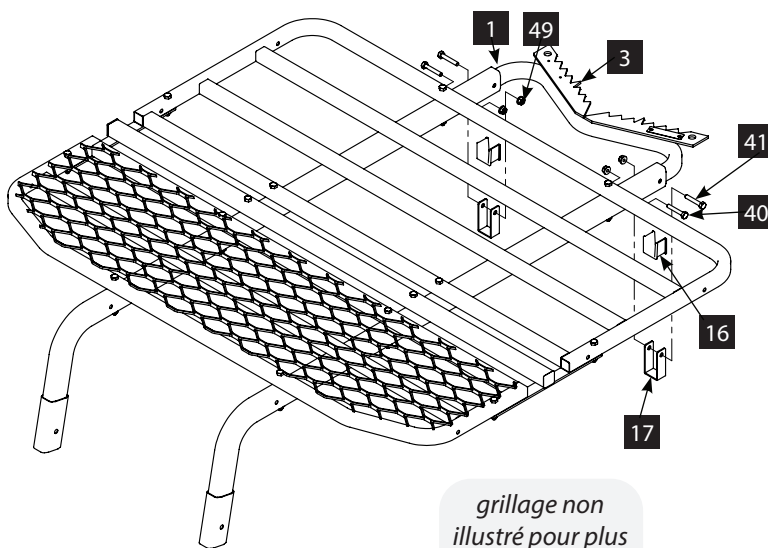
ÉTAPE 1



grillage non illustré pour plus de clarté

1. Attacher les sections de plateforme avant (19), centrale (21) et arrière (20) aux tubes en J (1) avec dix vis de 1/4-20 x 3 po (44), quatre vis de 1/4-20 x 1-1/2 po (40) et des écrous (49).

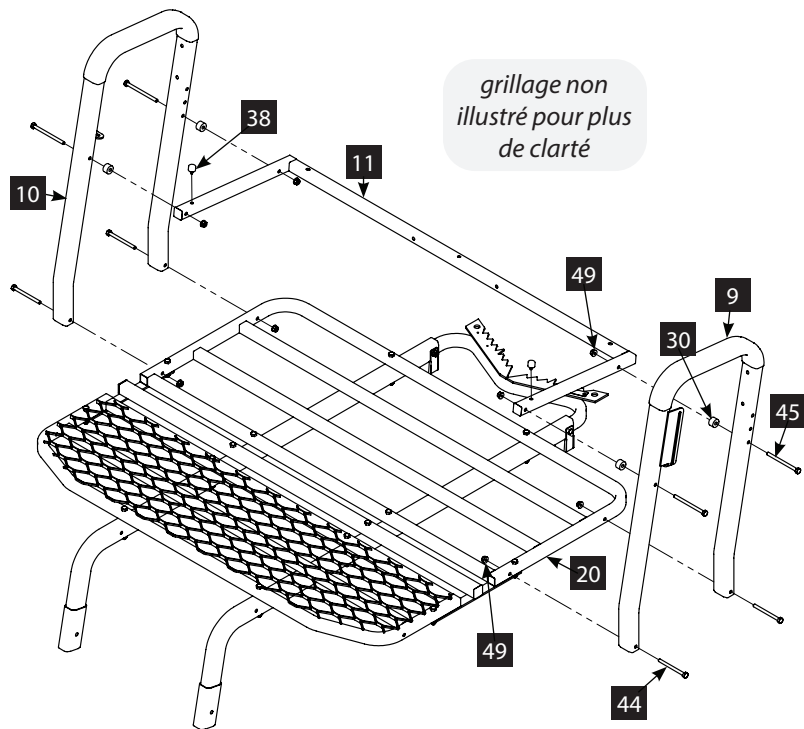
2. Enfiler la lame crantée inférieure (3) dans les extrémités des tubes en J (1). Placer un insert de guide (16) dans le guide de sangle (17). Glisser ensuite un guide de sangle sur chaque tube en J et l'aligner sur le trou arrière de chaque côté. Attacher ces pièces avec deux vis de 1/4-20 x 1-1/2 po (40), deux vis de 1/4-20 x 1-3/4 po (41) et des écrous (49).



grillage non illustré pour plus de clarté

ÉTAPE 2

ÉTAPE 3

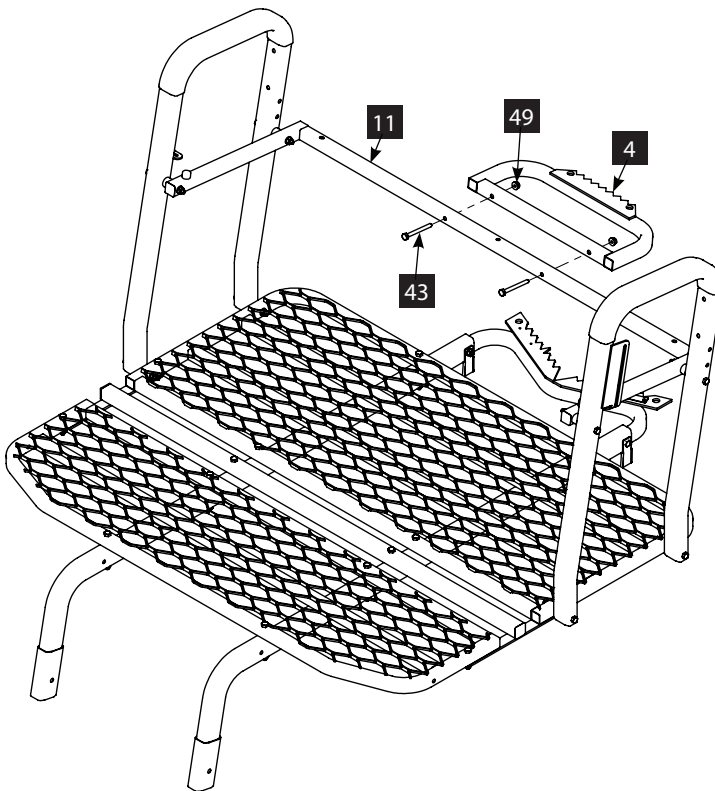


3. Attacher les accoudoirs gauche et droit (9 et 10) à la section de plateforme arrière (20) avec quatre vis de 1/4-20 x 3 po (44) et écrous (49).

Attacher le support de siège (11) aux accoudoirs gauche et droit (9 et 10) avec quatre vis de 1/4-20 x 3-1/2 po (45), des bagues d'espacement jaunes de 12 mm d'épaisseur (30) et des écrous (49). Les bagues d'espacement doivent être placées entre le support de siège et les accoudoirs. Veiller à orienter le support de siège avec les trous pour les butées en caoutchouc (38) placés vers le haut.

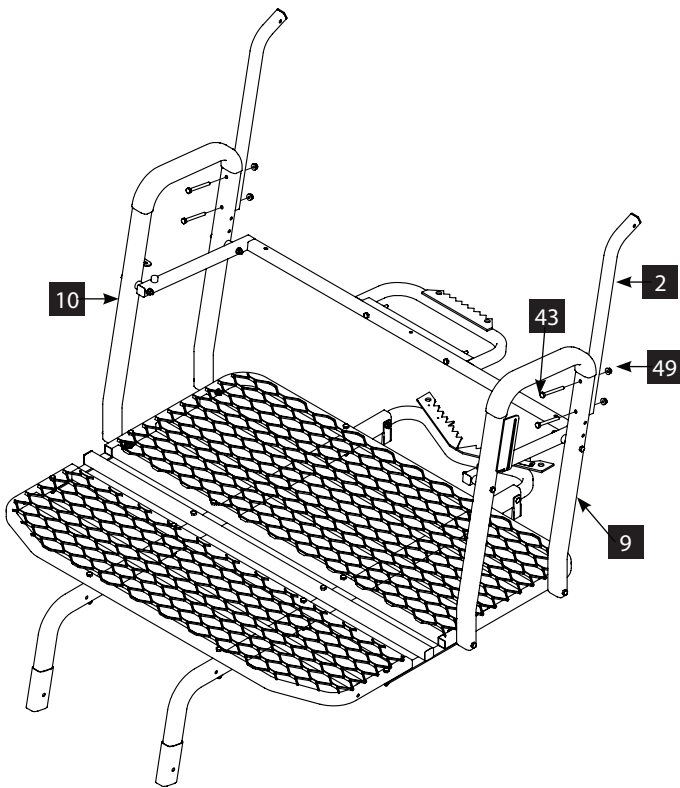
Insérer les butées de siège en caoutchouc (38) dans les trous du support de siège.

4. Attacher la lame crantée supérieure (4) au support de siège (11) avec deux vis de 1/4-20 x 2-1/2 po (43) et écrous (49).



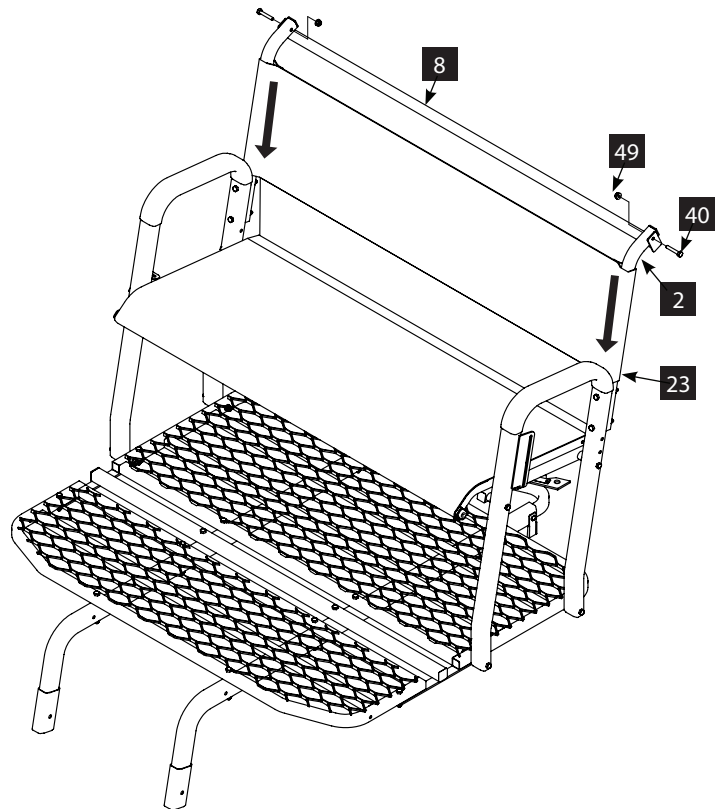
ÉTAPE 4

ÉTAPE 5



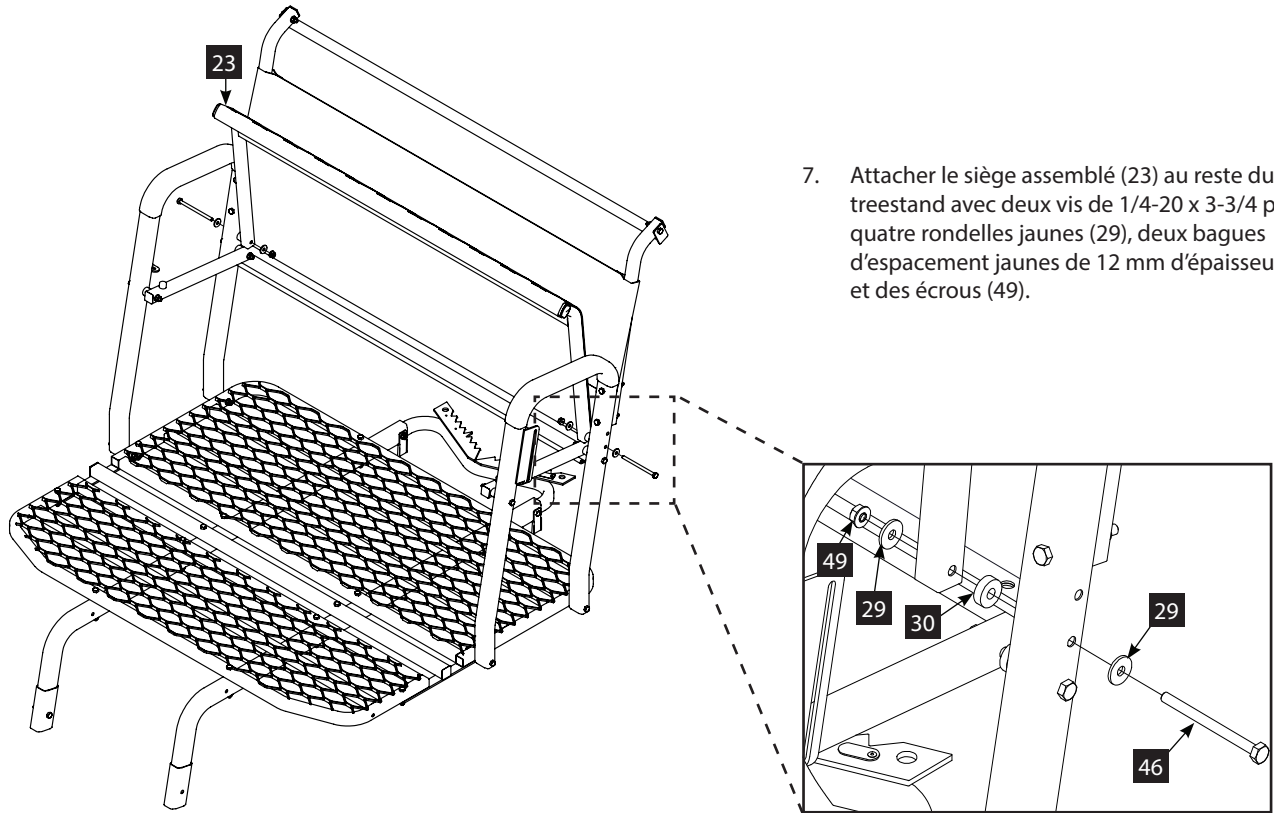
5. Attacher les tubes de dossier (2) aux accoudoirs gauche et droit (9 et 10) avec quatre vis de 1/4-20 x 2-1/2 po (43) et écrous (49).

6. Enfiler le dossier (23) sur les tubes de dossier (2). Attacher la barre d'écartement du dossier (8) en haut des tubes de dossier avec deux vis de 1/4-20 x 1-1/2 po (40) et écrous (49).



ÉTAPE 6

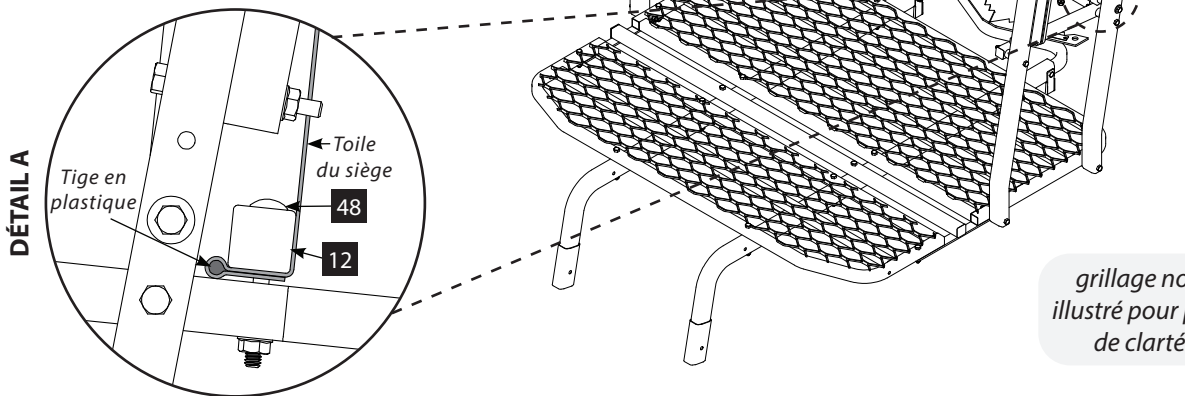
ÉTAPE 7



7. Attacher le siège assemblé (23) au reste du treestand avec deux vis de 1/4-20 x 3-3/4 po (46), quatre rondelles jaunes (29), deux bagues d'espacement jaunes de 12 mm d'épaisseur (30) et des écrous (49).

8. Attacher l'arrière de la toile du siège (23) au support de siège (11) à l'aide du support de siège arrière (12), trois boulons de carrosserie de 1/4-20 x 2-1/2 po (48) et des écrous (49). Pour assurer un montage correct, bien observer le **DÉTAIL A**. La toile du siège est pincée le support de siège et le support de siège arrière. Une fois les boulons serrés, la tige en plastique à l'intérieur du manchon cousu maintient la toile en place.

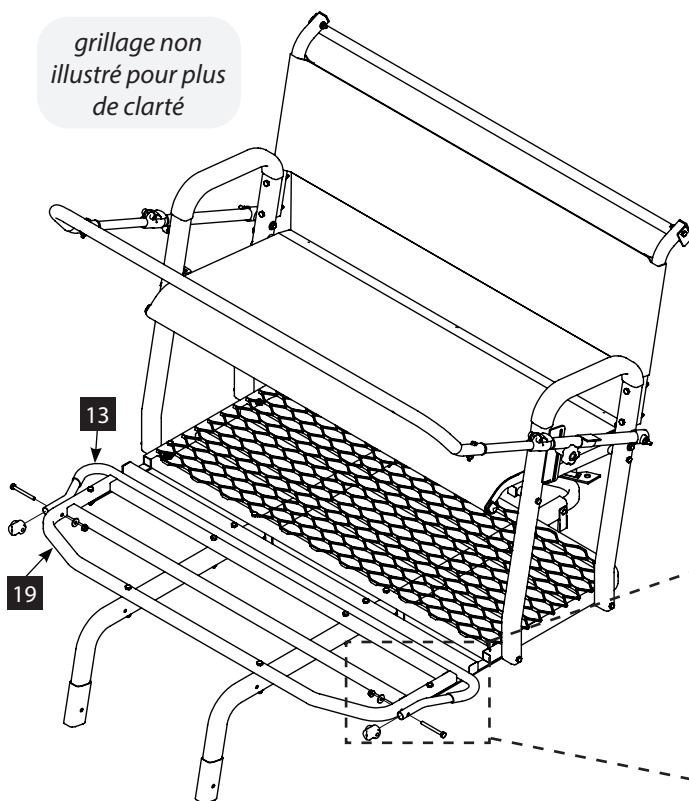
REMARQUE : Attention à ne pas coincer la tige en plastique entre le support de siège (11) et le support de siège arrière (12) lors du serrage des boulons.



grillage non illustré pour plus de clarté

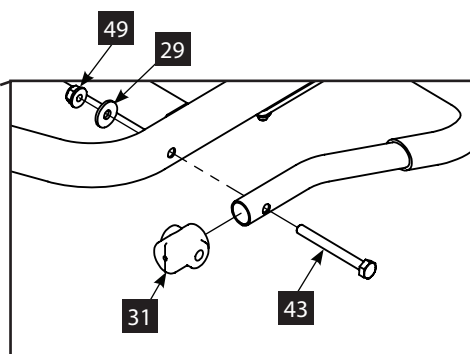
ÉTAPE 8

grillage non
illustré pour plus
de clarté

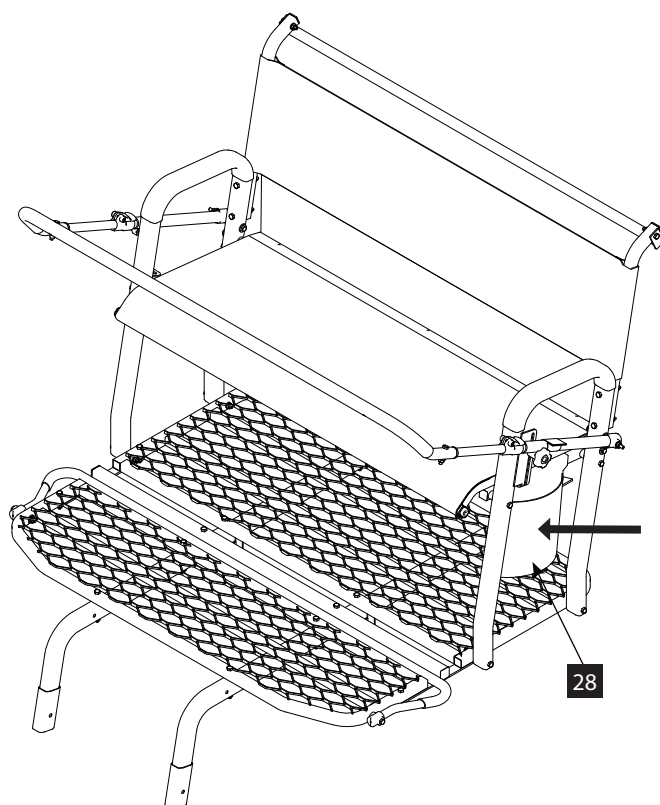


11. Attacher le repose-pied (13) à la section de plateforme avant (19) avec deux vis de 1/4-20 x 2-1/2 po (43), deux rondelles jaunes (29), deux capuchons ronds de 18 mm (31) et deux écrous (49).

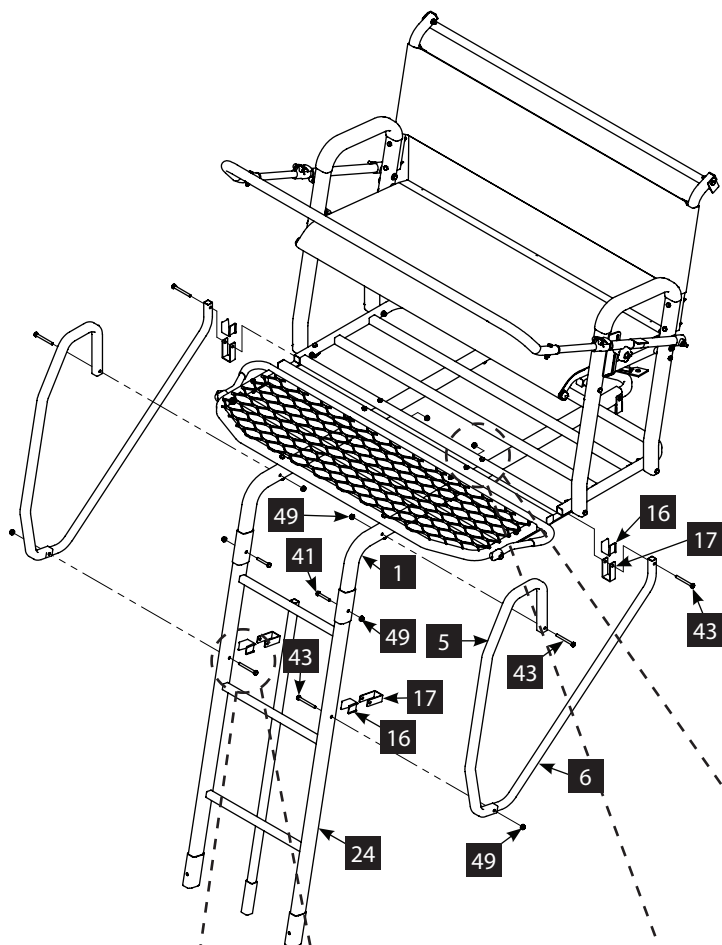
Attacher la poche à matériel (28) à l'emplacement souhaité.



ÉTAPE 11



La poche à matériel (28) peut être placée d'un côté ou de l'autre du support de siège (11).

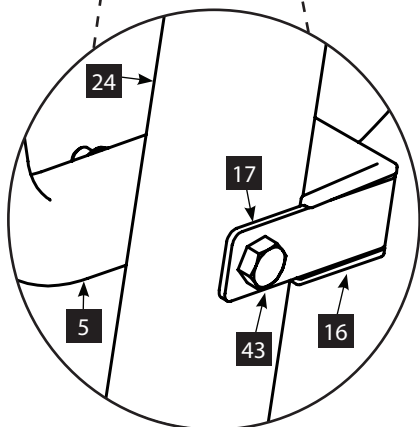


12. Enfiler la section d'échelle supérieure (24) dans les poches des tubes en J (1) et l'attacher avec deux vis de 1/4-20 x 1-3/4 po (41) et deux écrous (49).

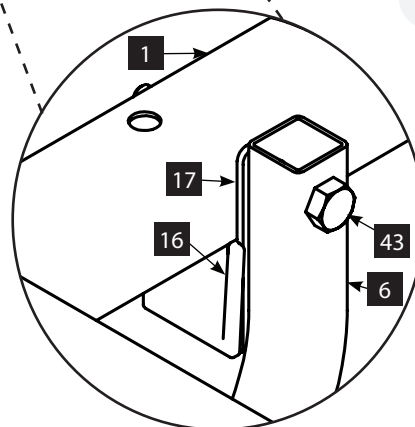
Préassembler les contrefiches de plateforme (6) aux mains courantes de l'échelle (5) en enfilant une extrémité de chaque contrefiche dans l'extrémité inférieure de chaque main courante et en alignant les trous.

Attacher ensuite les contrefiches et mains courantes préassemblées et quatre guides de sangle (16) à l'intérieur au reste du treestand avec six vis de 1/4-20 x 2-1/2 po (43) et des écrous (49). Observer attentivement le placement correct des guides de sangle aux **DÉTAIL A** et **DÉTAIL B**.

DÉTAIL A

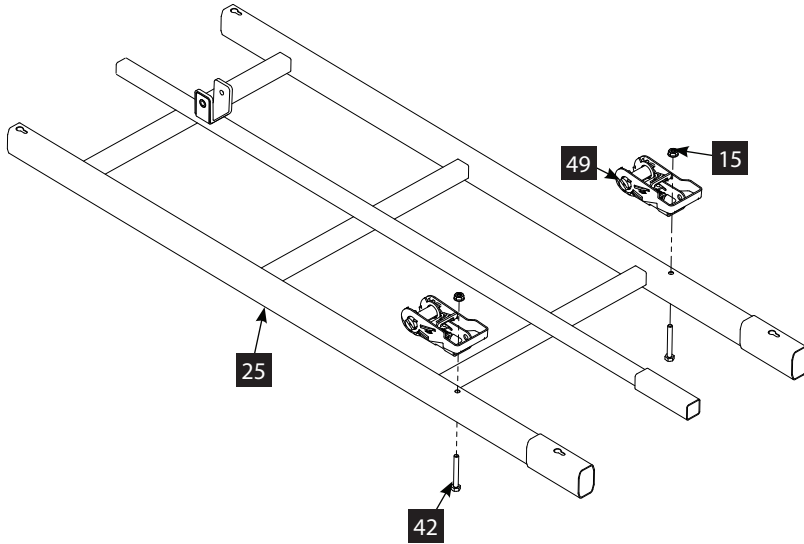


DÉTAIL B



grillage non illustré pour plus de clarté

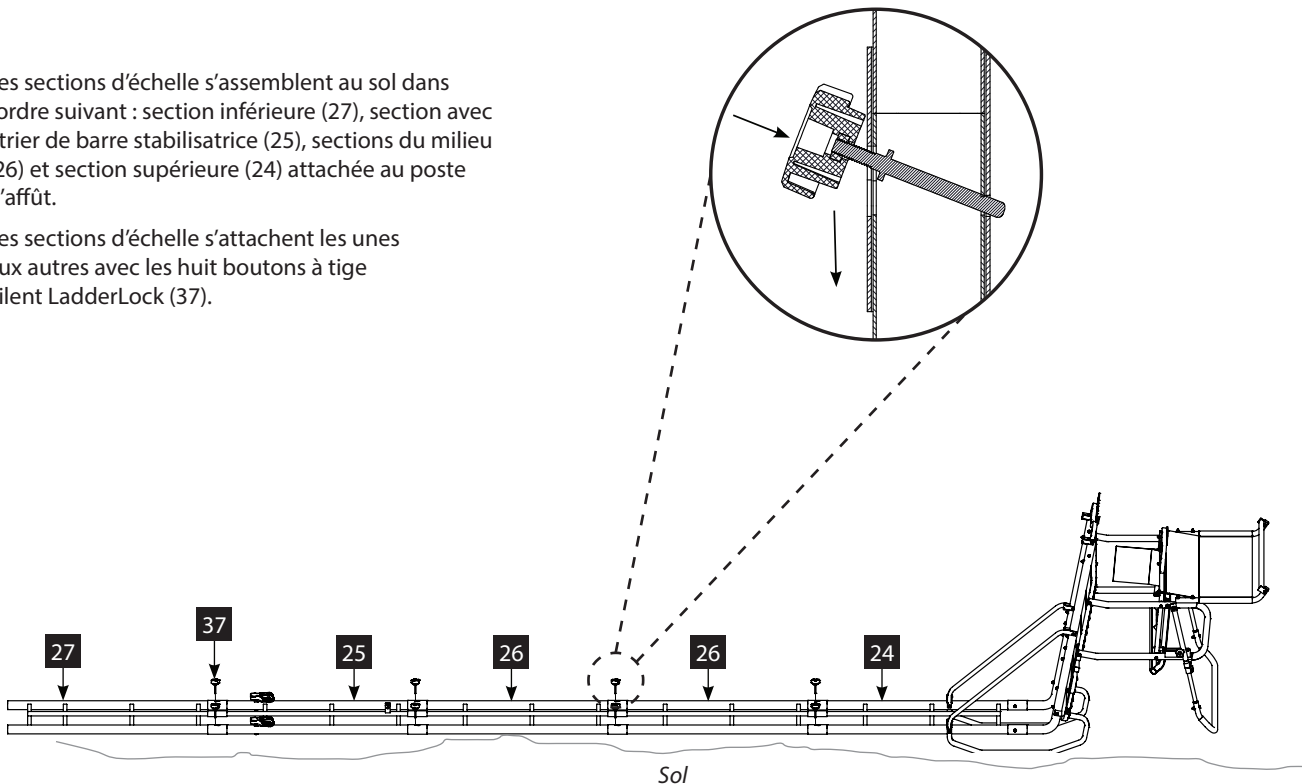
ÉTAPE 13



13. Attacher les cliquets d'échelle (15) à la section d'échelle qui comporte l'étrier de barre stabilisatrice (25) avec deux vis de 1/4-20 x 2-1/4 po (42) et des écrous (49). La mettre de côté pour l'instant.

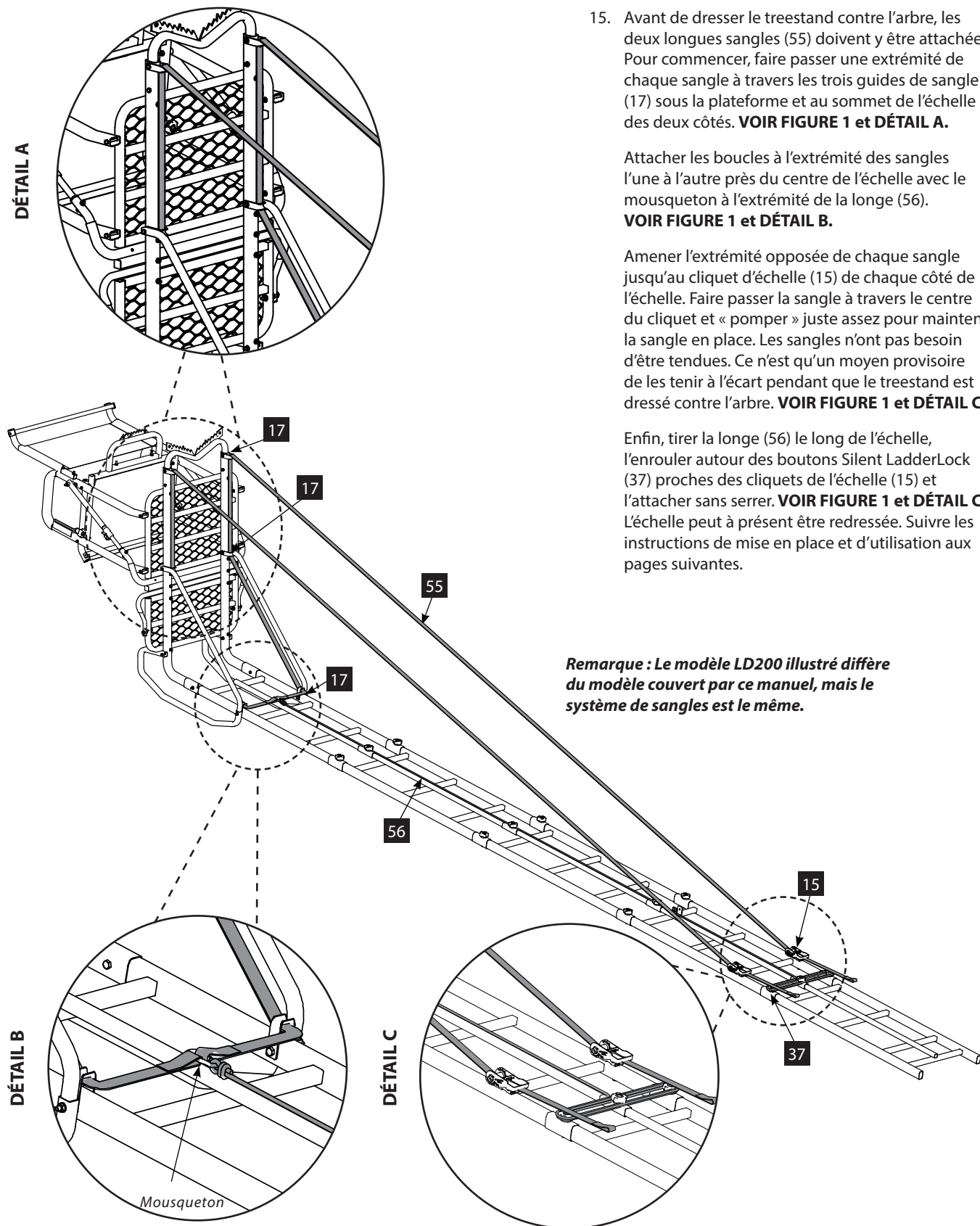
14. Les sections d'échelle s'assemblent au sol dans l'ordre suivant : section inférieure (27), section avec étrier de barre stabilisatrice (25), sections du milieu (26) et section supérieure (24) attachée au poste d'affût.

Les sections d'échelle s'attachent les unes aux autres avec les huit boutons à tige Silent LadderLock (37).



ÉTAPE 14

FIGURE 1



15. Avant de dresser le treestand contre l'arbre, les deux longues sangles (55) doivent y être attachées. Pour commencer, faire passer une extrémité de chaque sangle à travers les trois guides de sangle (17) sous la plateforme et au sommet de l'échelle des deux côtés. **VOIR FIGURE 1 et DÉTAIL A.**

Attacher les boucles à l'extrémité des sangles l'une à l'autre près du centre de l'échelle avec le mousqueton à l'extrémité de la longe (56). **VOIR FIGURE 1 et DÉTAIL B.**

Amener l'extrémité opposée de chaque sangle jusqu'au cliquet d'échelle (15) de chaque côté de l'échelle. Faire passer la sangle à travers le centre du cliquet et « pomper » juste assez pour maintenir la sangle en place. Les sangles n'ont pas besoin d'être tendues. Ce n'est qu'un moyen provisoire de les tenir à l'écart pendant que le treestand est dressé contre l'arbre. **VOIR FIGURE 1 et DÉTAIL C.**

Enfin, tirer la longe (56) le long de l'échelle, l'enrouler autour des boutons Silent LadderLock (37) proches des cliquets de l'échelle (15) et l'attacher sans serrer. **VOIR FIGURE 1 et DÉTAIL C.** L'échelle peut à présent être redressée. Suivre les instructions de mise en place et d'utilisation aux pages suivantes.

Remarque : Le modèle LD200 illustré diffère du modèle couvert par ce manuel, mais le système de sangles est le même.


LIRE ET COMPRENDRE LES AVERTISSEMENTS SUIVANTS AVANT LA MISE EN PLACE ET L'UTILISATION

AVERTISSEMENT

- ▲ Révérer les étapes de l'assemblage pour s'assurer d'avoir correctement assemblé ce produit.
- ▲ Étudier le nouveau treestand pour se familiariser avec toutes ses caractéristiques et sa conception. Au niveau du sol, en suivant les instructions d'utilisation fournisseurs, s'entraîner à attacher le treestand à l'arbre et à le détacher. S'entraîner à s'asseoir, à se tenir debout et à utiliser ce produit avant de l'attacher en hauteur. Conserver ces instructions pour toute référence ultérieure. Toujours utiliser le système antichute fourni lors de l'utilisation de ce produit.
- ▲ Le montage et le démontage d'un treestand à échelle nécessite au moins trois (3) personnes.
- ▲ **Toujours** demander à deux personnes de stabiliser l'échelle avant de grimper jusqu'à la plateforme la première fois après chaque mise en place.
- ▲ Toujours s'assurer complètement que les lames crantées et la barre stabilisatrice sont en appui sur l'arbre avant de grimper à l'échelle.
- ▲ La barre stabilisatrice doit toujours être correctement et solidement fixée à l'échelle et à l'arbre avant de grimper à l'échelle.
- ▲ S'assurer que le bas de l'échelle est fermement posé sur un sol sec et de niveau. Attacher la longe du harnais à l'arbre avant d'attacher la plateforme à l'arbre et de monter sur la plateforme. Voir mode d'emploi du harnais intégral.
- ▲ **Ne jamais** monter ou descendre de l'échelle sans que les sangles ou cordes ne tiennent solidement l'échelle à l'arbre et que la barre stabilisatrice ne soit solidement fixée. Si cela n'est pas effectué correctement, l'échelle peut s'effondrer ou basculer vers l'arrière durant l'ascension initiale pour attacher la sangle à cliquet, pouvant provoquer des blessures graves ou la mort.
- ▲ **Toujours** se pencher vers l'avant pour grimper et attacher son harnais à l'arbre avant de fixer la plateforme à l'aide des sangles à cliquet fournies.


AVERTISSEMENT

- ▲ Mettre la ou les sangles à cliquet dans une poche pour les monter - **Ne pas** les tenir dans la main!


AVERTISSEMENT

- ▲ **Toujours** maintenir trois (3) points de contact lors de l'ascension d'une échelle d'affût. Un bon contact en trois points signifie qu'il y a à tout moment deux pieds et une main ou un pied et deux mains posés sur un échelon de l'échelle ou de l'aide à l'escalade.
- ▲ **Toujours** porter des chaussures adaptées pour utiliser un treestand. Un bon brodequin de sécurité antidérapant est important pour la sécurité personnelle. Veiller tout particulièrement à éviter que les lacets des chaussures n'accrochent le poste d'affût ou l'un de ses composants (pousser les lacets dans les chaussures avant de grimper).
- ▲ **Ne jamais** se tenir debout sur le siège, il est conçu pour s'asseoir uniquement.
- ▲ **Ne pas** permettre une accumulation excessive de sangle dans le cliquet pouvant empêcher les dents du cliquet de s'engager et provoquer un glissement.
- ▲ **Toujours** toujours attacher solidement les sangles à cliquet lors de l'utilisation de ce produit!
- ▲ Si le siège est amovible, veiller à ce qu'il soit bien fixé durant l'utilisation.
- ▲ Certains modèles sont équipés d'un rail de tir. **Ne jamais** se pencher contre le rail de tir, s'appuyer dessus ni s'asseoir dessus. Il est conçu en tant qu'appui de tir uniquement. **Toujours** garder à l'esprit que le rail de tir peut pivoter vers le côté ou de haut en bas.
- ▲ Certains modèles comportent un repose-pied, qui est conçu en tant que repose-pied uniquement. **Ne jamais** se tenir debout sur le repose-pied! **Toujours** être bien conscient de la position des pieds.
- ▲ Certains modèles sont équipés d'un système de barres stabilisatrices en plusieurs parties. S'assurer que la visserie passe à travers tous les tubes de rallonge de la barre stabilisatrice.

INSTRUCTIONS DE MISE EN PLACE ET D'UTILISATION



**VISIONNER LA VIDÉO DE MISE EN PLACE ET D'UTILISATION
EN LIGNE À L'ADRESSE
WWW.HUNTRIVERSEEDGE.COM
POUR FACILITER LA MISE EN PLACE DU TREESTAND**

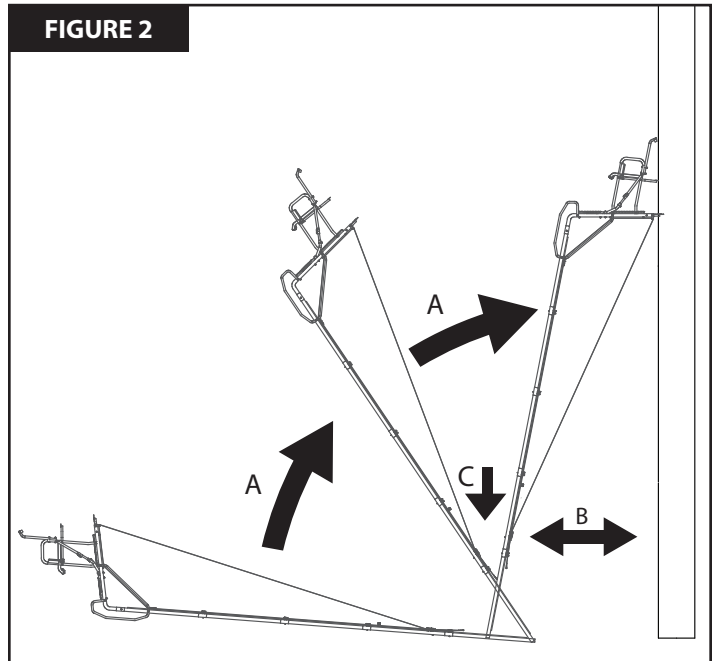
⚠ AVERTISSEMENT

- ▲ **Ne jamais** utiliser, monter ou démonter un treestand sur un arbre mort, penché, malade ou dont l'écorce se détache ni sur un poteau électrique.
- ▲ **Toujours** éviter les lignes électriques.
- ▲ Mettre la ou les sangles à cliquet dans une poche pour les monter - **Ne pas** les tenir dans la main!

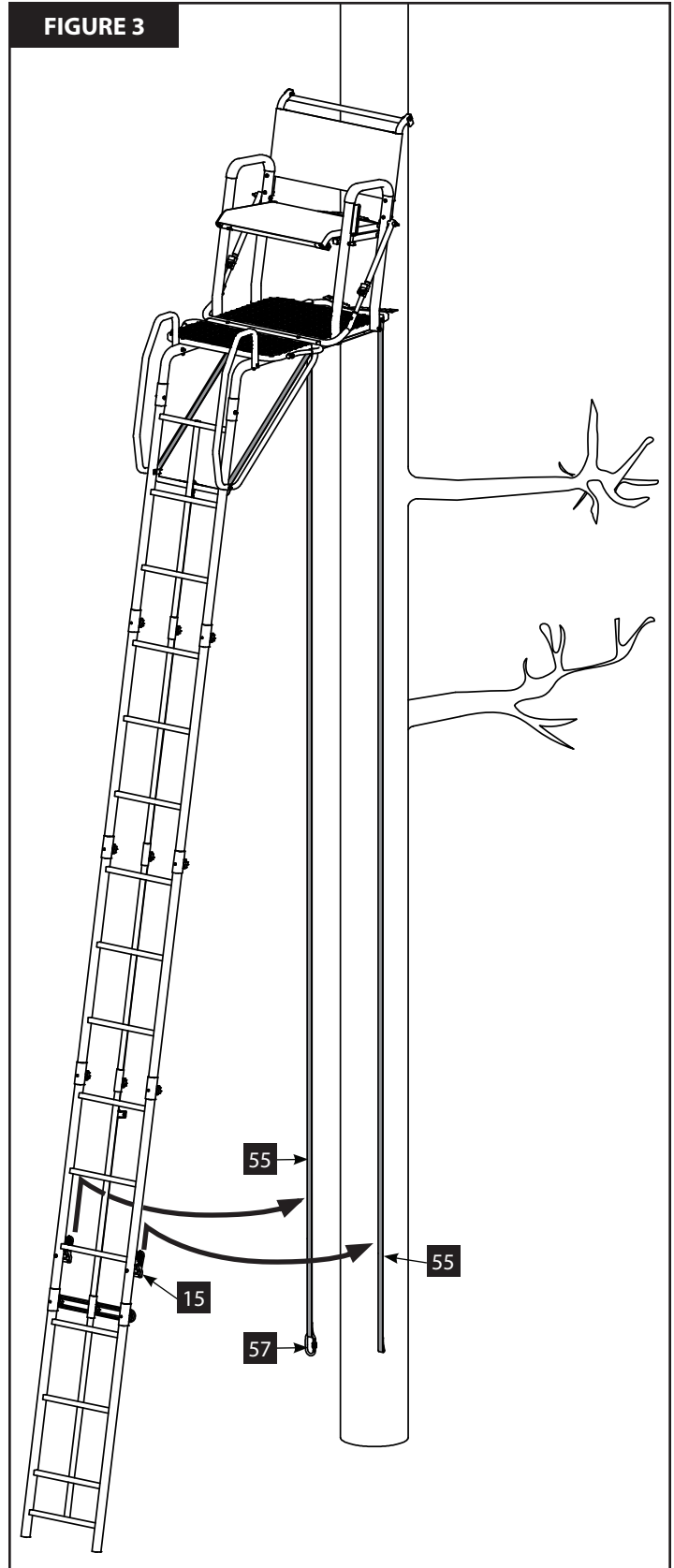
Durant la mise en place et le retrait d'un treestand, veiller à toujours utiliser correctement le harnais intégral (système antichute) fourni. Pour cela, consulter le mode d'emploi du harnais intégral fourni avec ce produit.

1. Choisir un arbre droit et sain. Ne pas essayer d'attacher à un arbre qui n'est pas sain.
2. Poser le produit assemblé sur le sol devant l'arbre, avec le bas de l'échelle à environ 1,5 m (5 pi) de la base de l'arbre.
3. Placer une personne au niveau du bas de l'échelle. Cette personne doit empêcher le bout de l'échelle de se relever et de déraiper sur le sol lorsque la plateforme est soulevée.
4. Prévoir deux personnes du côté plateforme de l'échelle, soulever la plateforme et la redresser en avançant vers le côté bas de l'échelle et en déplaçant les mains le long des rails de l'échelle. Appuyer l'échelle contre l'arbre choisi, sur un sol sec et de niveau. Faire preuve de précaution lorsque l'échelle bascule au-delà du centre contre l'arbre, comme indiqué par la flèche « A ».
VOIR FIGURE 2.
5. Une fois l'échelle complètement dressée, glisser la base avec précaution jusqu'à ce que les plateformes du siège et des pieds soient parallèles au sol, comme indiqué par la flèche « B ».
VOIR FIGURE 2.
6. Reculer de quelques pas et observer le haut de l'échelle pour vérifier que la lame crantée inférieure et la lame crantée supérieure sont toutes deux au contact de l'arbre. Ajuster s'il y a lieu pour que les deux lames soient au contact de l'arbre.
7. Appuyer fermement sur l'échelon du bas pour enfoncer les pieds de l'échelle dans le sol, comme indiqué par la flèche « C ».
VOIR FIGURE 2.
8. Pendant que deux personnes tiennent l'échelle en place, la troisième personne doit effectuer les étapes nécessaires des pages suivantes pour attacher le treestand à l'arbre.

FIGURE 2



9. Commencer par retirer les longues sangles (55) des cliquets au bas de l'échelle (15) et les laisser pendre de chaque part et d'autre de l'arbre. **VOIR FIGURE 3.**
10. Accrocher le grand mousqueton (57) à l'une des longues sangles (55) qui pendent le long de l'arbre. **VOIR FIGURE 3.**
Si l'arbre a des branches entre le sol et le haut de l'échelle, poursuivre à l'étape suivante. Si l'arbre n'a aucune branche entre le sol et le haut de l'échelle, passer directement à l'ÉTAPE 12.

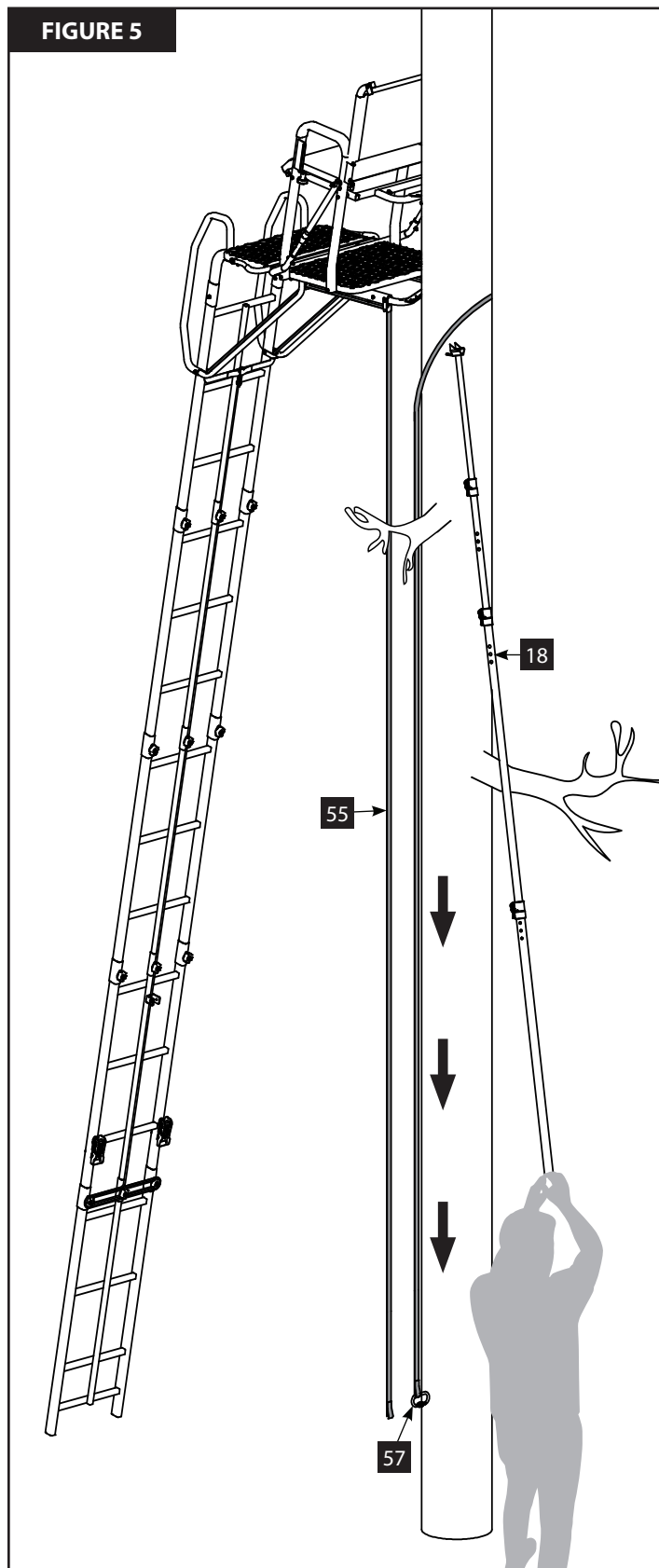
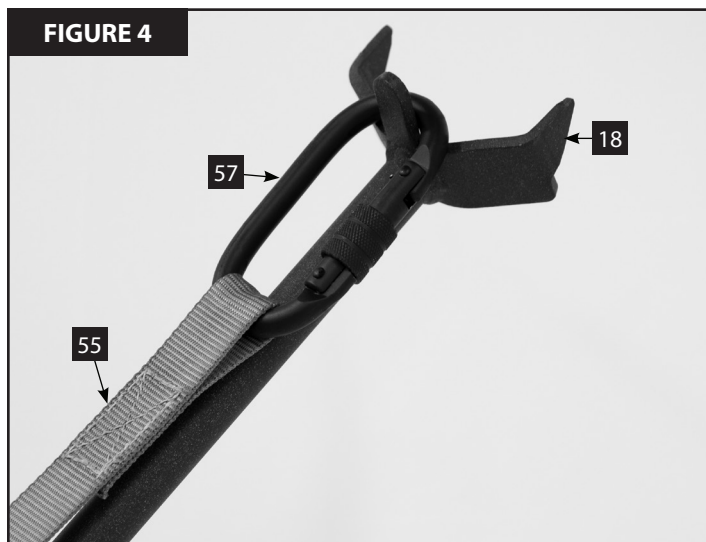


11. Si l'arbre a des branches entre le sol et le haut de l'échelle, avant d'accrocher les deux longues sangles (55) l'une à l'autre derrière l'arbre avec le mousqueton (57), elles doivent d'abord être placées toutes les deux du même côté de toutes les branches. Pour cela, il suffit d'utiliser la barre stabilisatrice télescopique (18) pour soulever et faire passer la sangle équipée du mousqueton de l'autre côté de ces branches.

a. Accrocher le mousqueton au bout de la barre stabilisatrice comme sur la **FIGURE 4**.

b. Ensuite, soulever la sangle et la passer au-dessus de chaque branche. Le poids du mousqueton fera redescendre la sangle vers le sol après chaque branche sur laquelle elle est passée.

c. Répéter l'opération pour toutes les branches jusqu'à ce que les deux sangles soient du même côté de toutes les branches. **VOIR FIGURE 5**. Cela doit alors permettre aux sangles et au mousqueton remonter sans obstacle le long de l'arbre jusqu'au haut du treestand.



12. Accrocher les deux longues sangles (55) l'une à l'autre derrière l'arbre avec le grand mousqueton (57). **VOIR FIGURE 5.** Veiller à verrouiller le mécanisme de blocage à vis du mousqueton. **VOIR FIGURES 6-A à C.**
13. Détacher la longe (56) des boutons Silent LadderLock (37). Tirer la longe vers le bas pour faire remonter les deux longues sangles et le mousqueton à l'arrière de l'arbre. **VOIR FIGURE 7.** Lorsque le mousqueton s'approche du sommet, un petit mouvement de « va-et-vient » des deux sangles peut être nécessaire pour faire monter le mousqueton jusqu'au bout, directement face à la lame crantée inférieure (3). Les sangles doivent être parallèles à la plateforme. **VOIR FIGURE 8.** S'il y a lieu, utiliser la barre stabilisatrice télescopique (18) pour faciliter la montée du mousqueton.

⚠ AVERTISSEMENT

⚠ **NE PAS** utiliser ce produit si le mousqueton n'est pas en position verrouillée, sous peine de blessures graves ou de mort.

FIGURE 6-A



1. Tourner la bague pour déverrouiller

FIGURE 6-B



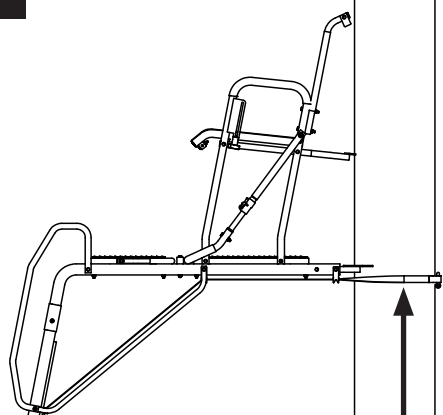
2. Appuyer sur le doigt pour ouvrir

FIGURE 6-C



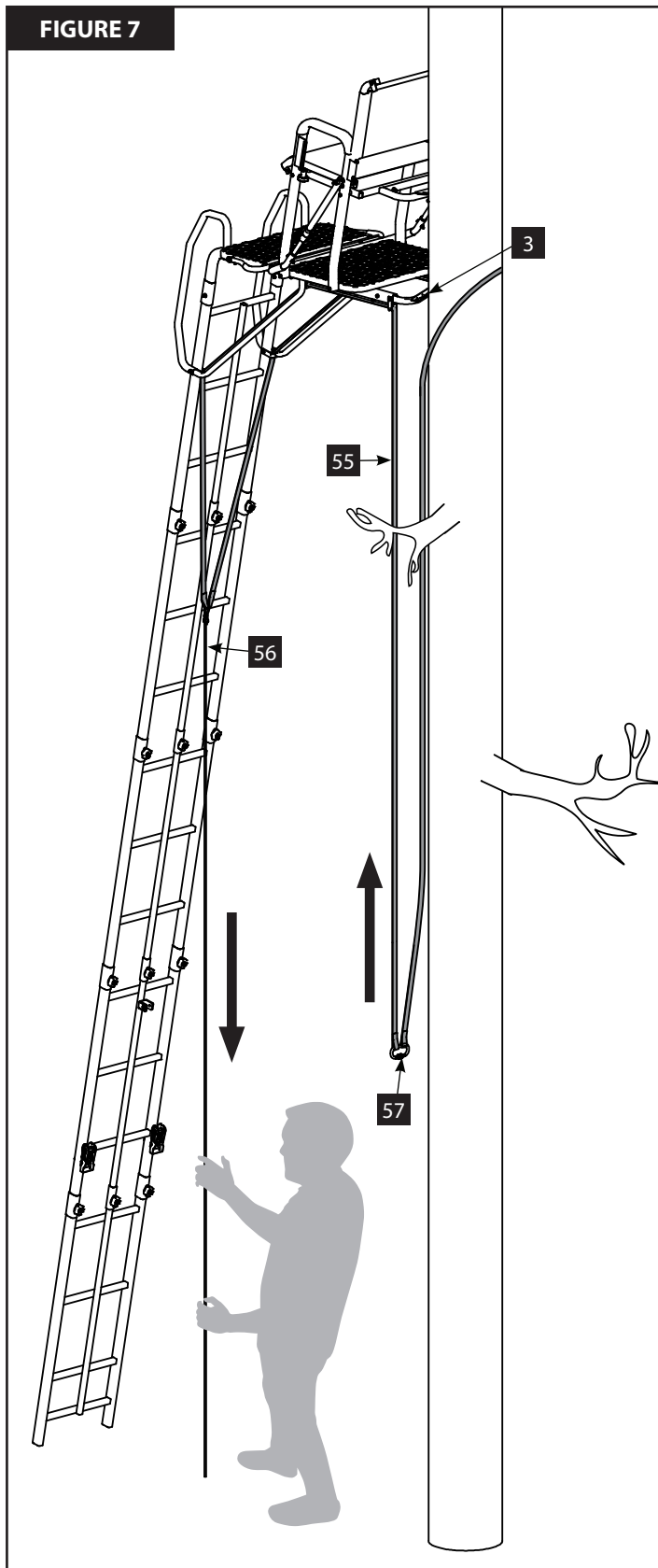
3. Tourner la bague pour verrouiller

FIGURE 8

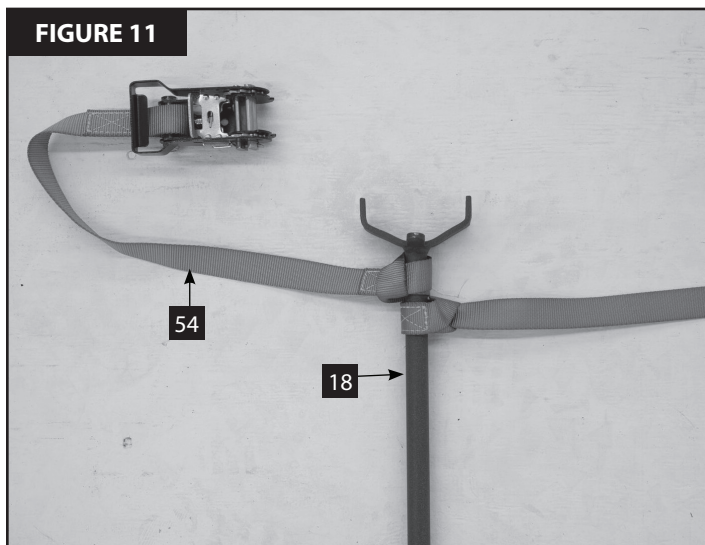
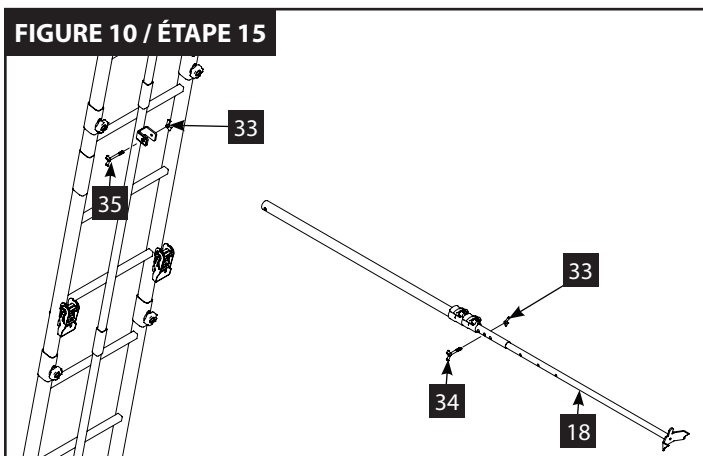
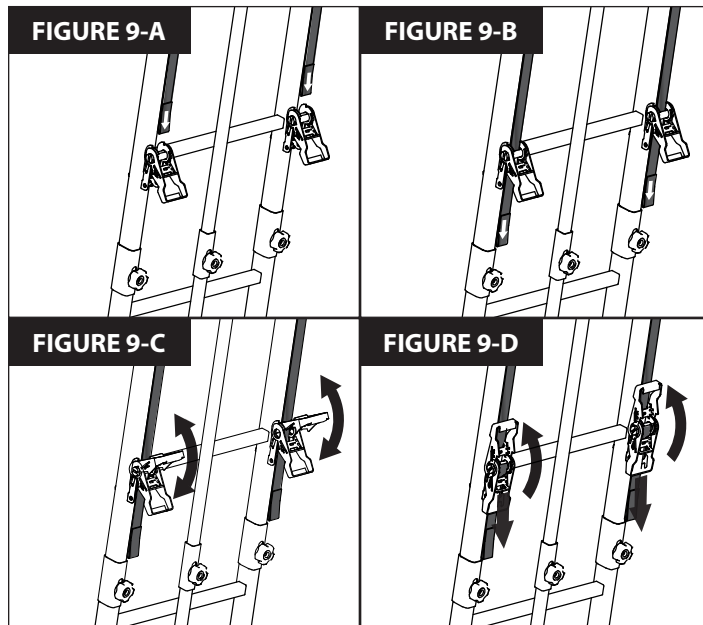


LES SANGLES ET LE MOUSQUETON DOIVENT DIRECTEMENT FACE À LA LAME CRANTÉE ET PARALLÈLES À LA PLATEFORME

FIGURE 7



14. Une fois que les sangles (55) et le mousqueton (57) sont remontés jusqu'en haut derrière l'arbre, détacher la longe (56) des deux longues sangles (55) et la mettre de côté. La longe peut ensuite être utilisée comme corde de levage pour hisser le matériel jusqu'à la plateforme. Enfiler les sangles par le haut dans les cliquets d'échelle (15) et donner quelques coups de cliquet juste pour tenir les sangles en place. Voir l'utilisation correcte des cliquets d'échelle aux **FIGURES 9-A à D. Ne pas encore tendre complètement les sangles.**
15. Rétracter complètement la barre stabilisatrice télescopique (18) et l'attacher à l'échelle avec une vis papillon de 1/4-20 x 2-1/4 po (35) et un écrou papillon (33). **VOIR FIGURE 10.**
16. Déployer le « mors » de la barre stabilisatrice juste assez pour toucher l'arbre. Ajuster la longueur de la barre stabilisatrice comme il se doit et s'assurer qu'elle est parallèle au sol. Aligner le trou le plus proche et y placer la vis papillon de 1/4-20 x 1-3/4 po (34) et l'écrou papillon (33); serrer à la main pour sécuriser la barre stabilisatrice. **VOIR FIGURE 10.** Attacher ensuite les deux bouts de la sangle à cliquet de 2,4 m (8 pi) (54) à la barre stabilisatrice au moyen d'un nœud coulant. **VOIR FIGURE 11.** La passer autour de l'arbre et serrer à l'aide du cliquet.
17. Maintenant que la barre stabilisatrice est en place, les cliquets au bas de l'échelle (15) peuvent être serrés pour fixer solidement le treestand à l'arbre.
18. **Cette fixation de l'échelle à l'arbre à partir du bas empêche l'échelle de s'écarter de l'arbre pendant qu'on y grimpe pour attacher les dernières sangles à cliquet. Il en va de même lorsqu'on doit enlever l'échelle. Il est à présent possible de grimper jusqu'au haut de l'échelle pour terminer l'installation.**



POSE DES SANGLES À CLIQUET (53)

19. **S'assurer que le bas de l'échelle est fermement posé sur un sol sec et de niveau.** Avec deux personnes tenant fermement la base de l'échelle, monter lentement sur l'échelle en maintenant en permanence trois points de contact et en prenant soin de garder une prise de main constante sur l'échelle. Se pencher toujours vers l'avant, vers l'arbre, durant l'ascension. **Attacher la longue du harnais à l'arbre avant d'arrimer la plateforme à l'arbre à l'aide des sangles à cliquet fournies. Consulter le mode d'emploi du harnais intégral fourni avec ce produit.**

REMARQUE : Mettre les sangles à cliquet dans une poche pour les monter. NE PAS les tenir à la main!

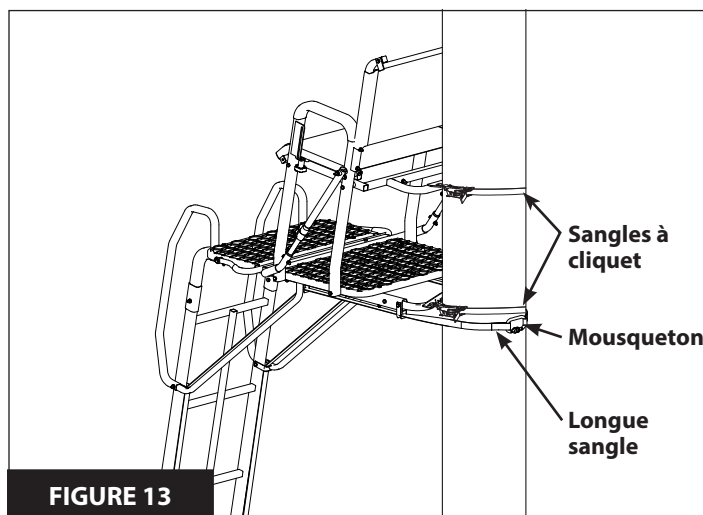
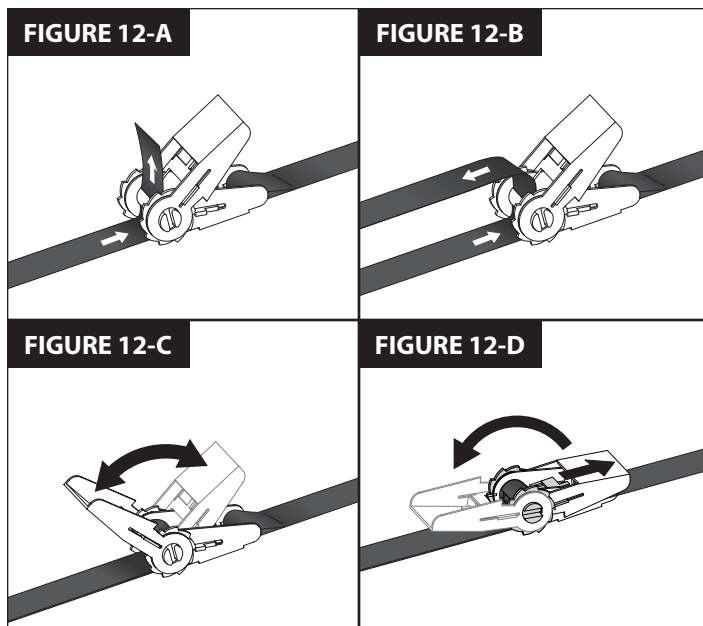
20. Une fois qu'on a atteint la plateforme et attaché le harnais de sécurité à l'arbre, accrocher le crochet en S de la grande longueur de sangle à l'un des trous de la lame crantée supérieure. Enfiler la grande longueur de sangle dans la fente centrale du mécanisme à cliquet et la ressortir vers l'arrière à travers le levier d'actionnement. **VOIR FIGURES 12-A à B et 13.**

21. Passer le cliquet autour de l'arbre et accrocher l'autre crochet en S au trou opposé de la lame crantée supérieure. Tirer sur le bout de la grande longueur de sangle longue jusqu'à ravalé presque tout le mou. Vérifier que l'ensemble de la sangle est à plat et de niveau tout autour de l'arbre. La serrer alors sur l'arbre avec le cliquet. Cela arrime uniquement la partie siège à l'arbre et l'empêche de bouger. **VOIR FIGURES 12-C et 13.**

REMARQUE : Pour débloquer le cliquet, il suffit de tirer le levier de déblocage et d'ouvrir complètement (à plat) le levier d'actionnement. VOIR FIGURE 12-D.

22. Répéter les deux étapes précédentes pour arrimer la lame crantée inférieure. Placer le crochet en S dans les trous prévus à cet effet de la lame crantée inférieure.

23. Pour démonter l'échelle d'affût, vérifier d'abord que les cliquets de bas d'échelle (15) et la sangle de la barre stabilisatrice (55) sont bien serrés. Ensuite, avec deux personnes tenant le bas de l'échelle, grimper, attacher le harnais de sécurité à l'arbre et retirer les deux sangles à cliquet supérieures (53). Redescendre ensuite et inverser les instructions de mise en place et d'utilisation pour terminer le démontage du treestand.



MODE D'EMPLOI DU RAIL DE TIR ULTIMATE

Le rail de tir de ce poste d'affût est unique. Il est réglable à la fois en hauteur et en profondeur. Il peut également être abaissé et rangé dans la plateforme pour ne pas gêner lors de la chasse à l'arc.

RÉGLAGE DU RAIL DE TIR

1. Pour régler la hauteur du rail de tir, il suffit de desserrer les deux boutons, de les coulisser vers le haut ou vers le bas dans les fentes jusqu'à la hauteur souhaitée, puis de les resserrer.
VOIR FIGURE 14.

2. Pour régler le rail de tir en profondeur, il suffit de débloquer les deux leviers de serrage et de faire coulisser le rail de tir jusqu'à la position souhaitée. Resserrer ensuite les leviers pour le bloquer dans cette position. **VOIR FIGURE 14.**

RAIL DE TIR EN POSITION RANGÉE

3. Pour abaisser le rail de tir et le ranger dans la plateforme, le relever d'abord par-dessus la tête pour l'appuyer contre l'arbre.
4. Desserrer ensuite les deux boutons, puis les glisser et les rabattre vers le bas. **VOIR FIGURE 15 ET DÉTAIL A.**
5. Rabaisser ensuite le rail de tir vers le bas devant soi et débloquer les deux leviers de serrage. L'abaisser complètement et l'engager dans son logement sur la plateforme. Resserrer ensuite les leviers pour le bloquer dans cette position. **VOIR FIGURE 15.**

Remarque : Le modèle LD200 illustré diffère du modèle couvert par ce manuel, mais la configuration du rail de tir est la même.

FIGURE 14

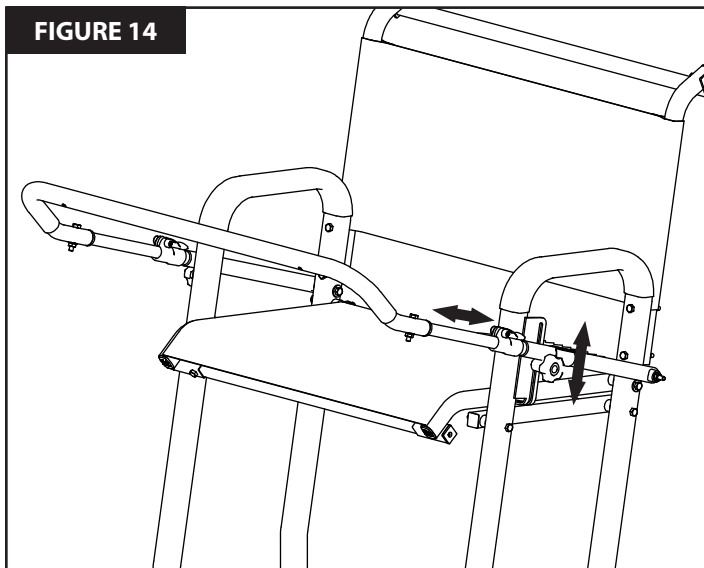
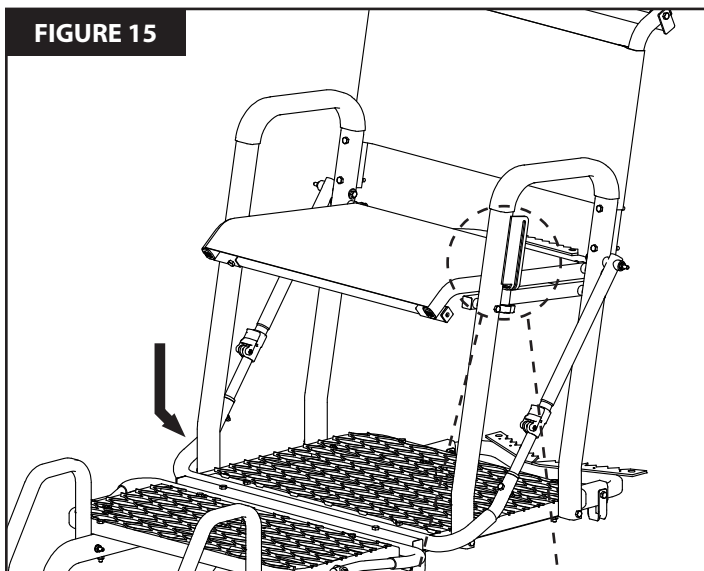
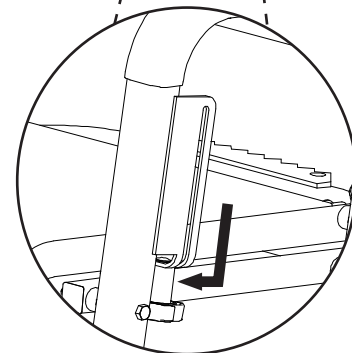


FIGURE 15



DÉTAIL A



ÉCHELLE ASSEMBLÉE

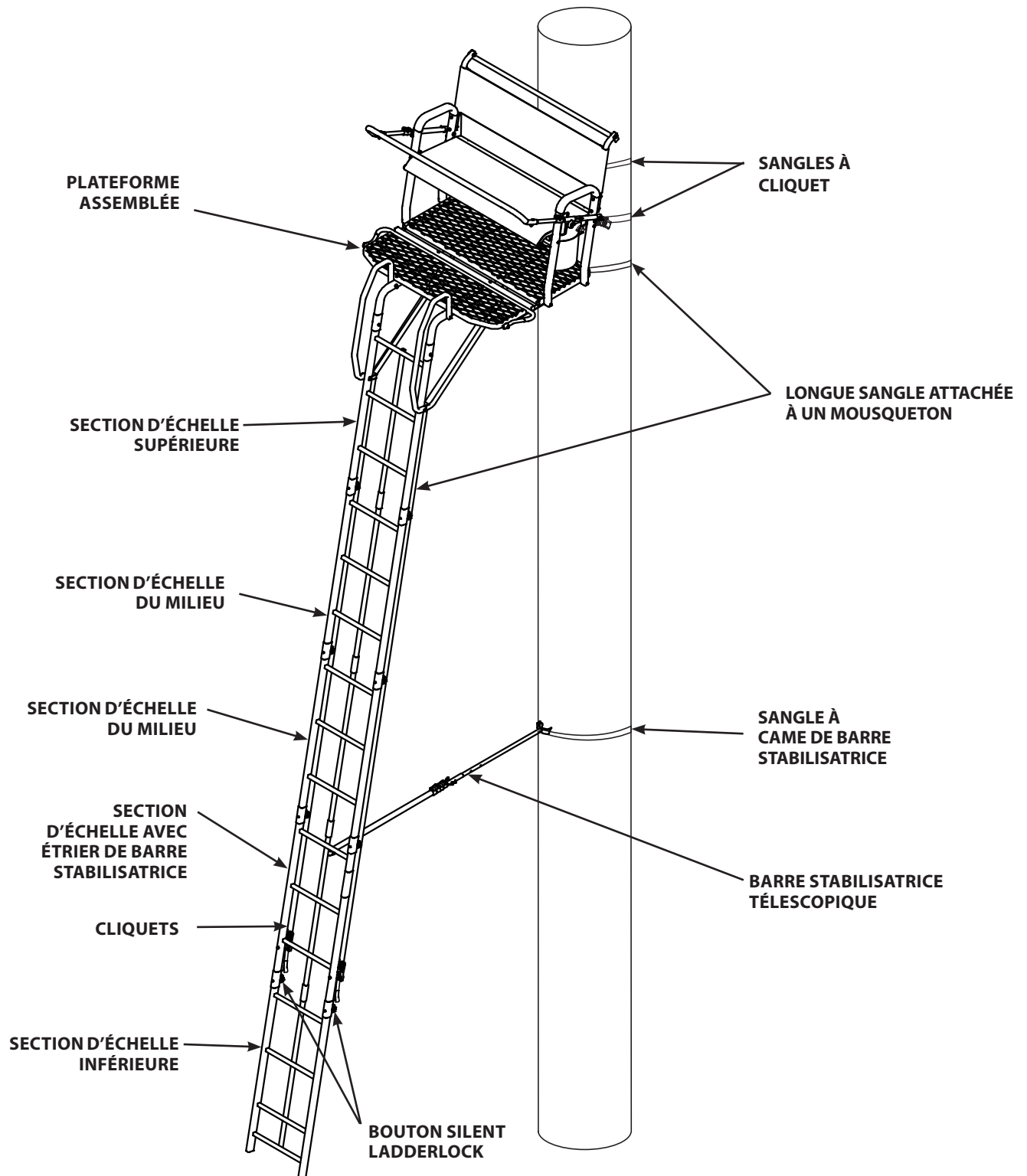
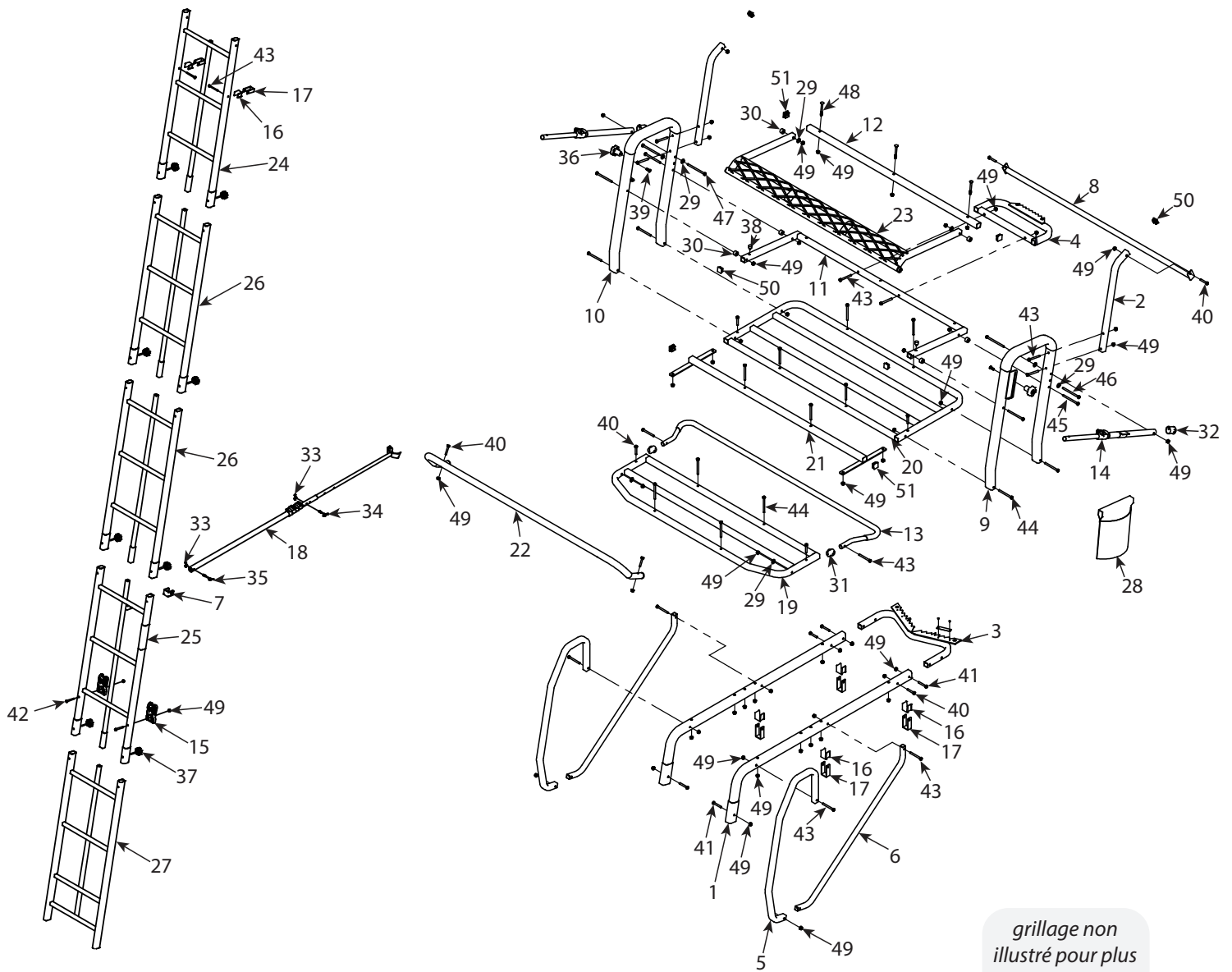


ILLUSTRATION DES PIÈCES DÉTACHÉES



*grillage non
illustré pour plus
de clarté*

LISTE DES PIÈCES

REPÈRE	N° RÉF.	DESCRIPTION	QTÉ
1	34936	TUBE EN J	2
2	34975	TUBE DE DOSSIER	2
3	35067	LAME CRANTÉE INFÉRIEURE	1
4	35084	LAME CRANTÉE SUPÉRIEURE	1
5	35085	MAIN COURANTE D'ÉCHELLE	2
6	35086	CONTREFICHE DE PLATEFORME	2
7	35131	INSERT D'ÉTRIER DE BARRE STABILISATRICE	1
8	35184	BARRE D'ÉCARTEMENT DU DOSSIER	1
9	35199	ACCOUDOIR GAUCHE À REVÊTEMENT VINYLE	1
10	35200	ACCOUDOIR DROIT À REVÊTEMENT VINYLE	1
11	35202	SUPPORT DE SIÈGE	1
12	35215	SUPPORT DE SIÈGE ARRIÈRE	1
13	35219	REPOSE-PIED ESCAMOTABLE À REVÊTEMENT VINYLE	1
14	35229	BRAS DE RAIL DE TIR RÉGLABLE	1
15	35715	CLIQUET D'ÉCHELLE	2
16	45356	INSERT DE GUIDE DE SANGLE	6
17	45358	GUIDE DE SANGLE	6
18	49526	BARRE STABILISATRICE	1
19	51105	DEMI-PLATEFORME AVANT	1
20	51107	DEMI-PLATEFORME ARRIÈRE	1
21	51109	PLATEFORME CENTRALE	1
22	51111	RAIL DE TIR	1
23	51113	BANQUETTE	1
24	51145	SECTION D'ÉCHELLE SUPÉRIEURE	1
25	51146	SECTION D'ÉCHELLE MILIEU À BARRE STABILISATRICE	1
26	51147	SECTION D'ÉCHELLE DU MILIEU	2
27	51148	SECTION D'ÉCHELLE INFÉRIEURE	1
28	51215	POCHE À MATÉRIEL	1
29	23572	RONDELLE PLASTIQUE JAUNE 2 MM	8
30	36703	BAGUE D'ESPACEMENT PLASTIQUE JAUNE 12 MM	6

REPÈRE	N° RÉF.	DESCRIPTION	QTÉ
31	51119	CAPUCHON GRIS 18 MM	2
32	51120	CAPUCHON GRIS 25 MM	2
33	48042B	ÉCROU PAPILLON	2
34	48044B	VIS PAPILLON 1/4 X 1-3/4 PO	1
35	48057B	VIS PAPILLON 1/4 X 2-1/4 PO	1
36	28839	BOUTON M6 X 29 MM	2
37	36719	BOUTON À TIGE SILENT LADDERLOCK	8
38	48679	BUTOIR EN CAOUTCHOUC	2
39	26813	VIS M6 X 20 MM	2
40	48240B	VIS 1/4 X 1-1/2 PO	10
41	48250B	VIS 1/4 X 1-3/4 PO	4
42	48271B	VIS 1/4 X 2-1/4 PO	2
43	48270B	VIS 1/4 X 2-1/2 PO	14
44	48280B	VIS 1/4 X 3 PO	14
45	36704	VIS 1/4 X 3-1/2 PO	4
46	29676	VIS 1/4 X 3-3/4 PO	2
47	36705	VIS 1/4 X 4 PO	2
48	35721	VIS 1/4 X 2-1/2 PO	3
49	48752B	ÉCROU 1/4 PO	55
50	29712	BOUCHON CARRÉ 22 MM	4
51	32783	BOUCHON CARRÉ 25 MM	4
ARTICLES CI-DESSOUS NON REPRÉSENTÉS			
52	43375	HARNAIS	2
53	35135	SANGLE À CLIQUET DE 2,4 M (8 PI) AVEC CROCHETS EN S	2
54	35159	SANGLE À CLIQUET DE 2,4 M (8 PI)	1
55	35140	SANGLE DE BARRE STABILISATRICE DE 6,4 M (21 PI)	2
56	30777	LONGE	1
57	35743	GRAND MOUSQUETON	1

**AUCUNE EXTENSION N'EST PROPOSÉE SUR CE MODÈLE.
NE JAMAIS MODIFIER NI DÉPASSER LA HAUTEUR D'UTILISATION
INDIQUÉE!**

LOCKDOWN™

BIG, COMFORTABLE TREESTANDS

par

RIVERS  **EDGE®**
TREESTANDS

Ardisam, Inc.
1730 Industrial Avenue
Cumberland, WI 54829

Téléphone : 800-345-6007
Télécopieur : 715-822-2124
www.huntriversedge.com

*Tous les poids, spécifications et caractéristiques indiqués sont approximatifs et sujets à modification sans préavis. En raison des constantes améliorations de nos produits, les représentations du produit peuvent être inexactes. Les étiquettes de mise en garde sur certaines illustrations de produit peuvent avoir été enlevées pour les besoins de la photo. Les accessoires montrés sur les photos ne sont pas inclus. Un certain assemblage peut être requis.