

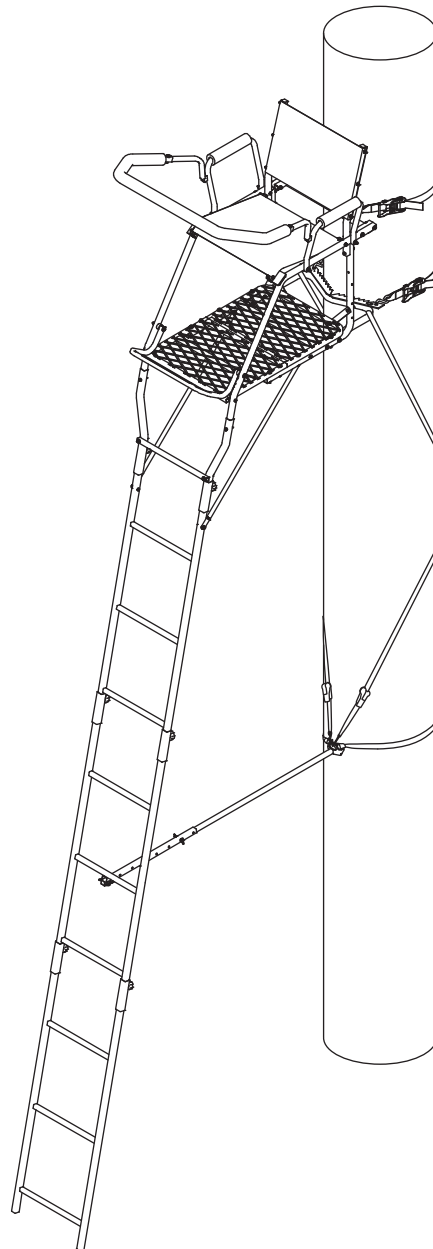


Syct™ - Stability You Can Trust

Operator's Manual

RE645

**Syct™ Ladder
Stand**



Maximum Height - 17' 2" to shooting rail

Maximum Field Rating - 300 lb

Tree Diameter Range - 12" to 20"

PRODUCT MEETS
INDUSTRY STANDARDS
RECOGNIZED BY



PARTICIPATING MEMBER

**Wear Your
Harness!**



Get parts online at
www.HuntRiversEdge.com



P/N: 23916
REV1: 02/25/16
© 2016 RETI
All Rights Reserved

INTRODUCTION

Rivers Edge® Treestands are engineered with you the hunter in mind. We appreciate your purchase of one of our world class treestands. Follow these few simple instructions and your stand will provide you many years of trouble-free pleasure. Instructions should be kept in a safe place and reviewed at least annually.

If for any reason you have a problem with your product, **DO NOT return to the retailer**, contact the Rivers Edge® customer service department at 800-450-EDGE (3343) for assistance.

CONTENTS

Introduction/Warranty	2
Warnings.....	3-4
Inspection and Maintenance Schedule.....	4
Assembly Instructions	5-11
Finished Ladder.....	12
Warnings.....	13
Set Up and Use Instructions	14-15
Parts Explosion/Parts List	16-17
Bolt Identification Chart.....	18

WARRANTY

RETI offers a one year warranty for all components of the treestand. These warranties apply to the original owner with a proof of purchase. These warranties begin on the date of purchase by the first retail consumer and continue for the period specified above. These warranties apply to products that are not modified, abused or used in a manner that deviates from the product's intended usage. Minor fading in color is normal and is not covered by warranty. Any corrosion of painted surfaces that occurs as a result of paint being removed or damaged is also not covered by warranty. RETI offers no other warranty expressed or implied. Products for which warranty work has been approved must be sent directly to RETI and performed by RETI. **To obtain warranty service and/or replacement instructions, you must obtain prior approval from RETI before shipping your package to us by calling our customer service department at 800-450-3343 or by writing to: RETI, P.O. Box 755, 1160 Eighth Avenue, Cumberland, WI 54829 for a return material authorization number (RMA#).** All items must be shipped prepaid. RETI will, at no charge, repair or replace, in RETI's sole discretion, any product that satisfies the conditions stated above. RETI retains the right to change models, specifications and price without notice.

This equipment has been manufactured under strict quality and safety guidelines. As with any equipment of this type, full understanding of the instructions and its use is mandatory and imperative for the safety of its user. RETI is not responsible for any damages or injuries sustained due to improper use or modification of any of its products, or resulting from any use which deviates from the product's intended usage. RETI is not responsible for any injuries sustained due to failure to read and adhere to the instructions for use. Any misunderstanding or questions regarding the products of their use should be directed to RETI prior to any use. **All RETI treestands are sold with a full body harness ("Fall Arrest System") that meets standards recognized by the Treestand Manufacturer's Association ("TMA").** It is the owner's sole responsibility to inspect the product regularly for damage, improper installation, or conditions that could jeopardize the ultimate safety of the product. Failure to use or improper use of the provided Fall Arrest System may result in serious injury or death. **ALWAYS wear the provided Fall Arrest System while using this product. Owner is responsible to understand and follow product field weight rating and must never exceed maximum weight rating.** RETI is not responsible for any malfunction or injury resulting from normal wear and tear, damage caused by improper use, improper maintenance, negligence or accidents. This product, if used safely as intended, will provide trouble free service for the useful life of the product. We hope you will enjoy the quality of our products for years to come, and have a safe hunt.

MODEL RE645

MAXIMUM USE HEIGHT - 17' 2" TO SHOOTING RAIL

MAXIMUM OCCUPANCY - ONE (1)

TOTAL WEIGHT LIMIT - 300 LB

TREE DIAMETER RANGE - 12" TO 20"

 **WARNING**

- ▲ This product carries strict height and weight restrictions. **Do Not** use this product if you exceed the total weight limit. Please note that the total weight limit includes the user(s) and their equipment.

 **WARNING**

- ▲ **When hunting from a treestand falls can occur any time after leaving the ground causing injury or death.**
- ▲ **Always** wear a Fall Arrest System (FAS) comprising a full body harness at all times after leaving the ground. You must stay connected at all times after leaving the ground while using climbing and hang-on treestands. Single safety belts and chest harnesses are no longer allowed and shall never be used. If you are not wearing a full body harness properly attached to the tree that is protecting you from a fall, do not leave the ground.
- ▲ **Read and understand** all of the manufacturer's Warnings and Instructions and use all safety devices provided by the manufacturer. Contact the manufacturer for any questions. Failure to do so could result in injury or death.
- ▲ **Never** exceed the total weight limit of the treestand.
- ▲ **Never** use a treestand during inclement weather such as rain, lightning, windstorms or icy conditions and end your hunt and return to the ground if inclement conditions arise.
- ▲ **Never** use a treestand while using drugs (even prescription drugs) or alcohol.
- ▲ **Never** use a treestand while feeling ill, nauseous or dizzy, or if you have a prior medical condition that could cause a problem, that is, heart condition, joints that lock-up, spinal fusions, etc., or if you are not well rested. **Never** sleep in stand.
- ▲ **Never** use a treestand on a dead, leaning, diseased or loose barked tree, or a utility pole. **Always** avoid electrical power lines.
- ▲ **Never** rely on a tree branch for support.

 **WARNING**

- ▲ **Never** jump or bounce on a treestand to seat it to the tree.
- ▲ Pull up a bow, backpack, or firearm or other equipment only after being secure in the treestand and a firearm must be pulled up with it unloaded, chamber open, and muzzle down.
- ▲ **Always** inform someone of the hunting location, where the treestand will be located and the expected duration of the hunt.
- ▲ A signal device such as a mobile phone, radio, whistle, signal flare or personal locator device (PLD) must be on your person and readily available at all times.
- ▲ Inspect the treestand and all safety devices each time before use and **Do Not** store a treestand outdoors when not in use.
- ▲ **Never** modify your treestand in any way by making repairs, replacing parts, or altering it except if explicitly authorized in writing by the manufacturer.
- ▲ Practice installing, adjusting and using your treestand at ground level prior to using it at elevated positions. Study your new stand to become familiar with all of its features and design. Doing so will confirm that the product is manufactured, assembled and installed correctly.
- ▲ Instructions (written and video) shall be kept in a safe place and reviewed at least annually. It is the responsibility of the treestand owner to furnish the complete instructions to any person who borrows or purchases the treestand.
- ▲ Use at least three (3) people to install or take down a ladder treestand.
- ▲ The criss-cross straps/ropes and stabilization devices must be attached before climbing to the platform.
- ▲ When installing a ladder stand, always bounce on the first rung to set the ladder into the ground according to manufacturer's instructions before proceeding to climb any higher.
- ▲ Check every ladder section connection every time you use the stand before you leave the ground. If ladder sections are separating, do not use the stand.
- ▲ Check the ground under the stand to make sure it is firm and level. Sloping ground or uneven surface (one side on a rock) can cause your ladder to tilt or shift off the tree as you climb.
- ▲ **Always** maintain three (3) points of contact when climbing a ladder treestand. Proper three-point contact means having either two feet with one hand or one foot with two hands on the step portion of the ladder or climbing aid at all times.

⚠ WARNING

- ▲ **Always** lean forward as you climb and attach your harness to the tree before securing the platform to the tree and stepping onto the platform.
- ▲ **Never** exceed the stated maximum use height.
- ▲ **Do Not** use this product until you have watched the included treestand safety DVD, understand it, and practiced the techniques for safe hunting discussed in this DVD.
- ▲ Read and perform all inspection and maintenance tasks before each and every use. Replace any questionable components immediately with RETI original replacement parts.
- ▲ **Do Not** crush tubing when tightening bolt assemblies! Identify and familiarize yourself with all parts before you start. Bolt identification chart can be found in the back.
- ▲ Double check assembly steps to be certain you have correctly assembled this product.
- ▲ **Never** use any product that has not been maintained or inspected properly - Your life depends on it!
- ▲ Replace any and all treestand straps every two years or when any signs of damage or wear exist before.
- ▲ **Always** wear the appropriate footwear when using a ladder treestand. A good non-slip safety boot is important to your personal safety. Be especially careful that boot laces do not get hooked on the stand or any of its components (tuck shoelaces into boots before climbing).

INSPECTION AND MAINTENANCE SCHEDULE

BEFORE EACH USE PERFORM THE FOLLOWING:

- Inspect all webbing, rope, cord, and strap assemblies for wear or damage.
- Inspect cables and/or cable ends for damage or kinking.
- Inspect all hardware and chain components for damage.
- Inspect for any structural damage to product. (If any exists call RETI customer service.)
- Inspect all nut and bolt assemblies to be certain none are loose.
- Inspect for any missing parts.
- Lubricate all pivot and slide together points with powder graphite, petroleum jelly or silicone spray to prevent noise, wear and rust.
- Inspect entire product for any rust, corrosion, cracks, freezing, excessive heat or rotting damage that may effect the safety of your product. Discard any questionable product.
- Inspect entire product for any structural damage - pay close attention to all weld locations. (Return to factory for repair or discard product if any damage is found.)
- Using correct wrenches inspect all nut & bolt assembly locations and snug up any that may be loose. Be careful not to crush tubing when tightening!
- Inspect and check operation of all cables, cable ends, cord, rope, webbing, and strap or chain assemblies. Replace with factory new any item or assembly that shows signs of wear, damage, kinking, or functions incorrectly.
- Inspect seat. Replace any seat with factory new that shows signs of structural damage or wear.
- Inspect all hardware for wear or damage, also be sure you have no missing parts.
- Never modify your stand in any way by making repairs, replacing parts, or altering adding or attaching anything to it except if explicitly authorized in writing by the manufacturer.

ASSEMBLY INSTRUCTIONS

Tools needed: two 7/16" wrenches, one 9/16" wrench

IMPORTANT ASSEMBLY TIP:

Do not tighten any nut and bolt combinations completely until all parts are assembled together! Finger tighten plus one turn of a wrench only! This will temporarily hold the lock nut on the bolt while helping alignment of all parts! After all parts are assembled together, all nut & bolt combinations must be completely tightened.

All assembly must be done in this order at ground level before uprighting.

Do not remove labels/warnings from product, they are there for your safety.

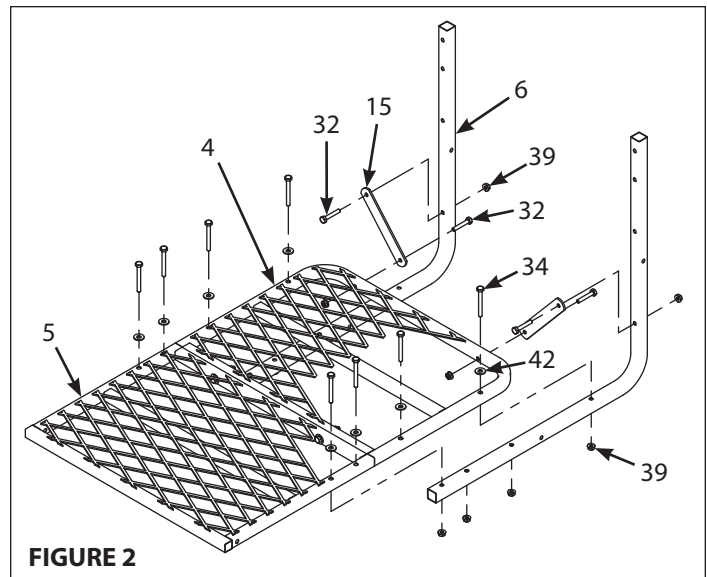
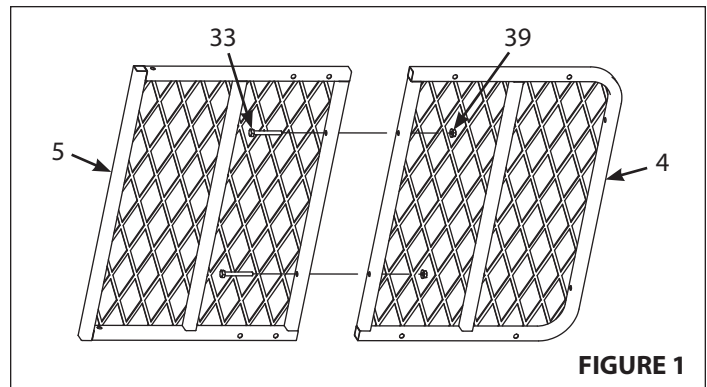
Recommended for adult use only.

1. Attach the front platform (5) and the rear platform (4) together using two 1/4-20 x 2" bolts (33) and locknuts (39). **SEE FIGURE 1.**

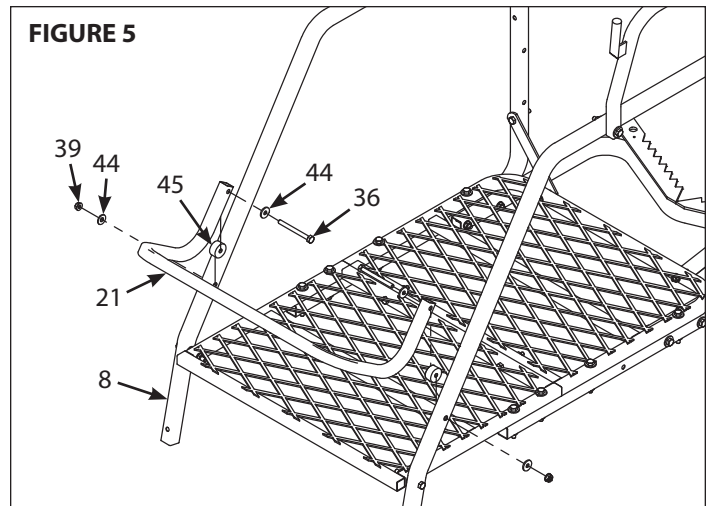
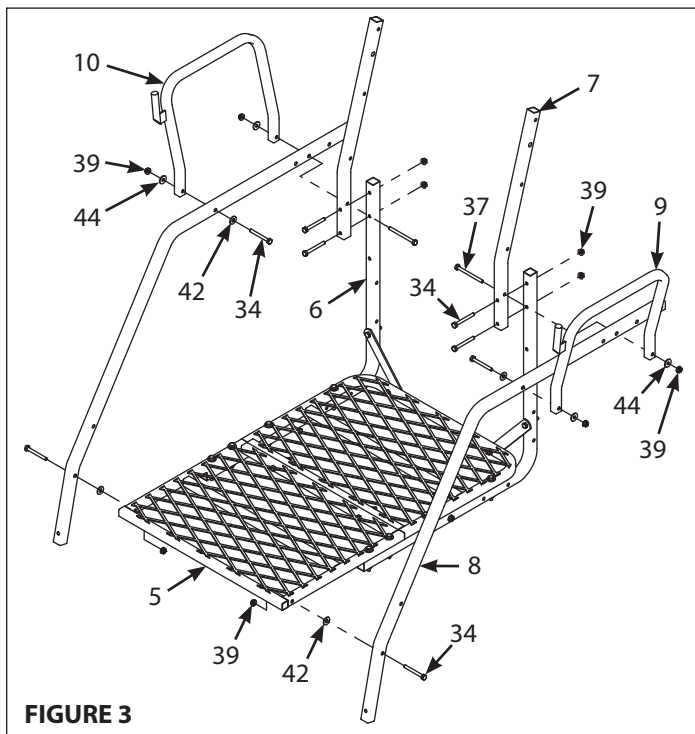
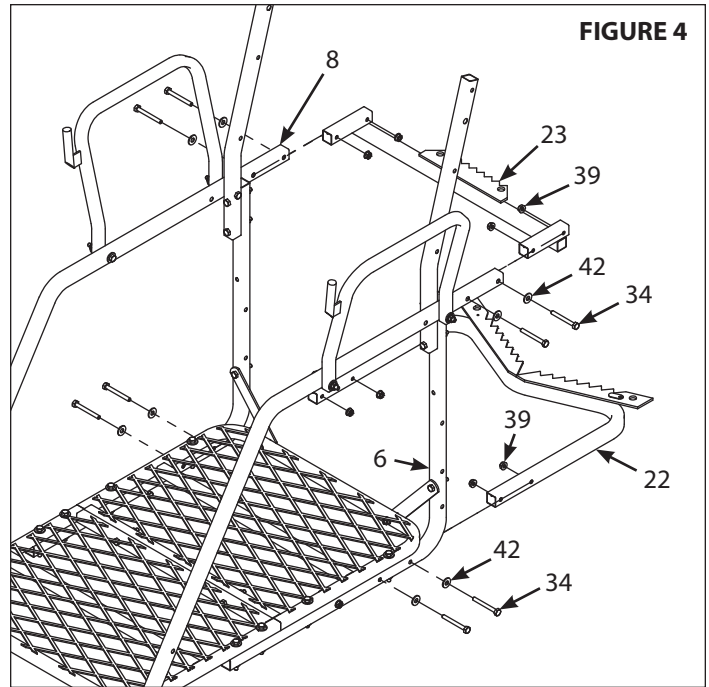
2. Attach the two platform support rails (6) to the bottom of the assembled foot platform using eight 1/4-20 x 2-1/4" bolts (34), steel washers (42) and locknuts (39). **SEE FIGURE 2.**

NOTE: Mesh surface of foot platforms should be on top.

3. Attach the platform flat brace bars (15) to the rear platform (4) and platform support rails (6) using four 1/4-20 x 1-1/2" bolts (32) and locknuts (39). **SEE FIGURE 2.**



4. Attach the front of the ladder side rails (8) to the front platform (5) using two provided 1/4-20 x 2-1/4" bolts (34), steel washers (42) and locknuts (39). Make sure the steel washers are between the ladder side rails and the front platform. **SEE FIGURE 3.**
5. Attach two backrest mount tubes (7) to the ladder side rails (8) with four 1/4-20 x 2-1/4" bolts (34) and locknuts (39). **SEE FIGURE 3.**
6. Attach the back of the left armrest (9) and the back of the right armrest (10) to the previously assembled backrest mount tubes (7) and ladder side rails (8) using two provided 1/4-20 x 3" bolts (37), yellow washers (44) and locknuts (39). **SEE FIGURE 3.**
7. Attach the front of the left armrest (9) and the front of the right armrest (10) to the ladder side rails (8) using two 1/4-20 x 2-1/4" bolts (34), steel washers (42), yellow washers (44) and locknuts (39). **SEE FIGURE 3.**
8. Attach the upper tree blade (23) to the ladder side rails (8) using four provided 1/4-20 x 2-1/4" bolts (34), steel washers (42) and locknuts (39). **SEE FIGURE 4.**
9. Attach the lower tree blade (22) to the inside of the platform support rails (6) using four provided 1/4-20 x 2-1/4" bolts (34), steel washers (42) and locknuts (39). **SEE FIGURE 4.**
10. Attach footrest (21) to ladder side rails (8) using two provided 1/4-20 x 2-3/4" bolts (36), four yellow washers (44), two large nylon spacers (45) and two locknuts (39). **SEE FIGURE 5.**



SEAT ASSEMBLY

11. a. Position the factory assembled mesh seat (24) upside down on a sturdy, hard surface. **SEE FIGURE 6.**

b. Insert one 1/4-20 x 2-1/2" bolt (35) through the rear fixed brace (26) and side rail of mesh seat (24). Finger tighten locknut (39). **SEE FIGURE 7.** Rear fixed brace locknuts will need to be removed in order to attach finished seat to treestand later in assembly instructions.

NOTE: The rear fixed brace is meant to be wider than the seat. The TearTuff material is extremely durable and is meant to stretch. SEE FIGURE 7.

c. Angle the other side rail so it is outside of the rear fixed brace to align the bolt holes. **SEE FIGURE 8A.** Insert one 1/4-20 x 2-1/2" bolt (35) through the rear fixed brace (26) and side rail (bolt will enter at an angle). **SEE FIGURE 8B.** Finger tighten locknut to aid in further assembly. **SEE FIGURE 8C.**

d. Rotate the rear fixed brace (26) towards the mesh seat to lock the brace in position. **SEE FIGURE 9A and 9B.**



FIGURE 8B - Insert 1/4-20 x 2-1/2" bolt (35)



FIGURE 6 - Factory assembled mesh seat



FIGURE 8C - Finger tighten locknut

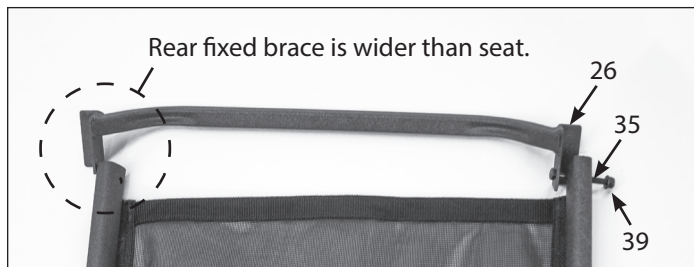


FIGURE 7 - Insert 1/4-20 x 2-1/2" bolt (35)

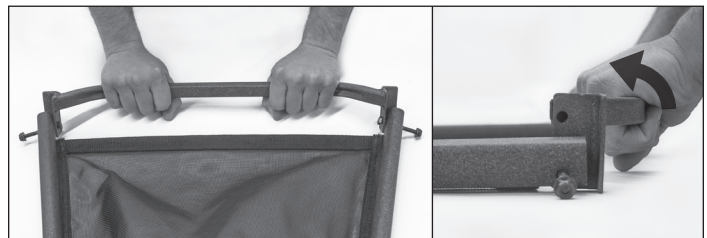


FIGURE 9A - Rear fixed brace in vertical position



FIGURE 8A - Angle side rail outside of rear fixed brace

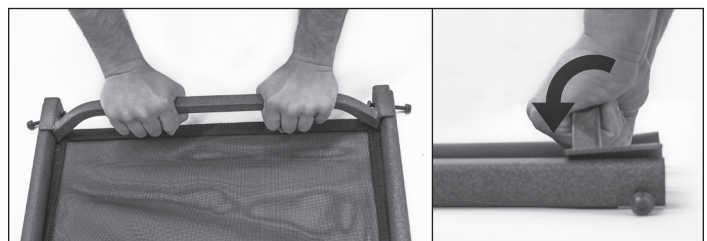


FIGURE 9B - Rear fixed brace rotated into locked position

SEAT ASSEMBLY CONTINUED

e. Remove the factory installed "locking" bolt and locknut from the front hinged brace (25), and set aside. Hinge the brace slightly to aid in assembly. **SEE FIGURE 10.**

f. Insert two 1/4-20 x 1-1/4" bolts (31) through the front hinged brace (25) and each side rail of mesh seat (24), and finger tighten locknuts (39). **SEE FIGURE 11.** Brace should remain hinged.

g. Rotate the front hinged brace (25) towards the mesh seat to lock the brace in position. **SEE FIGURES 12A and 12B.**

h. Push down on the front hinged brace (25) and install the previously removed "locking" bolt and locknut. **SEE FIGURE 13.**

i. Tighten all four bolts and locknuts on the front hinged brace at this time. **SEE FIGURE 14.** This will tighten up the side rails of the seat to the braces and square up the entire seat.

NOTE: The rear fixed brace locknuts will need to be removed in order to attach finished seat and should not be tightened at this time.

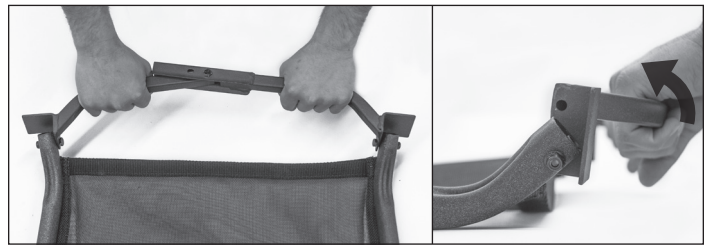


FIGURE 12A - Front hinged brace in vertical position

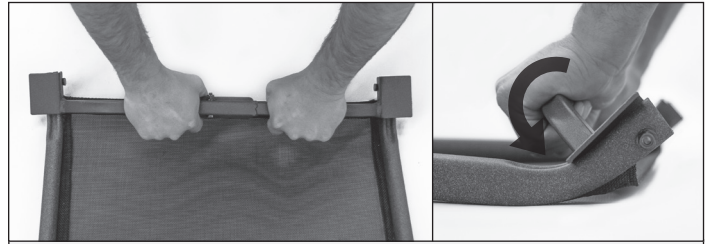


FIGURE 12B - Front hinged brace rotated into locked position

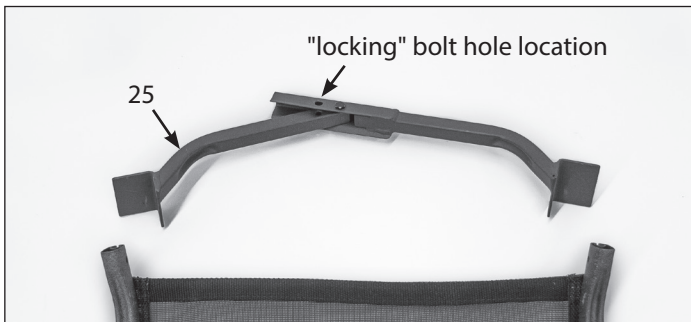


FIGURE 10 - Remove "locking" bolt and hinge front brace

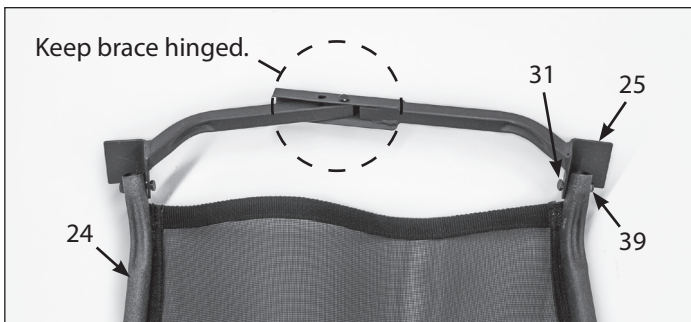
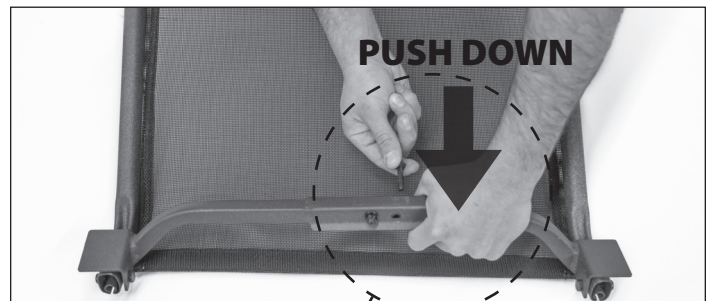


FIGURE 11 - Insert two 1/4-20 x 1-1/4" bolts (31)



Push front hinged brace down **firmly.**

FIGURE 13 - Install previously removed bolt and locknut

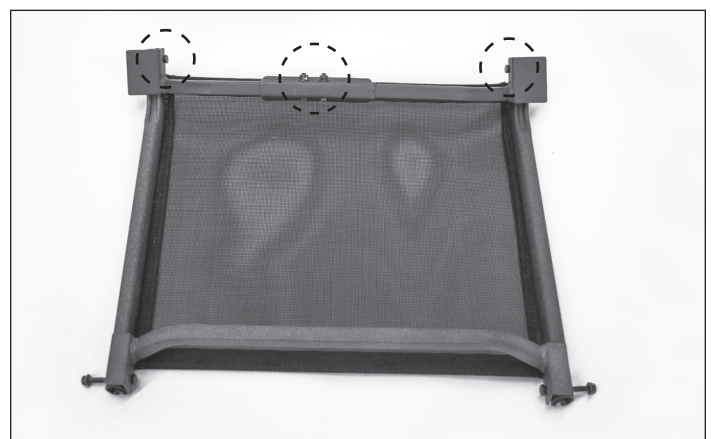
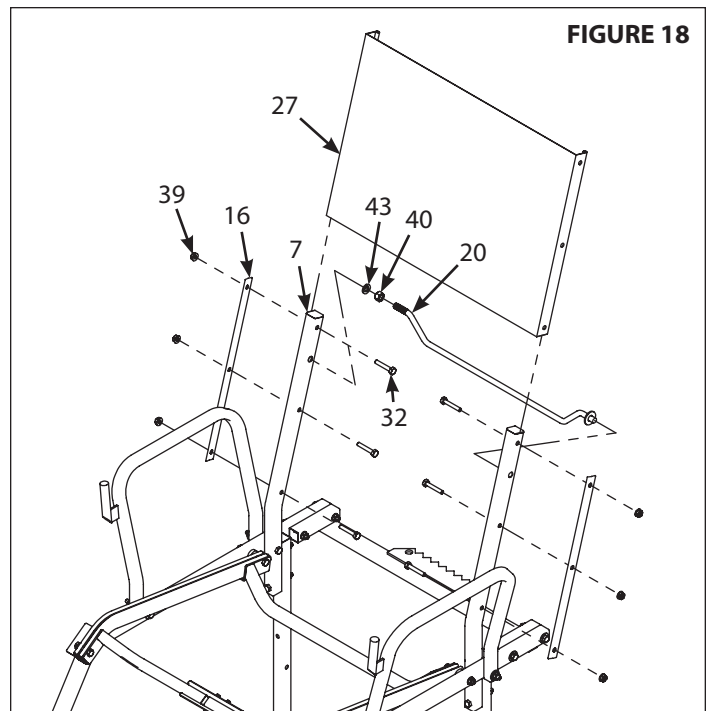
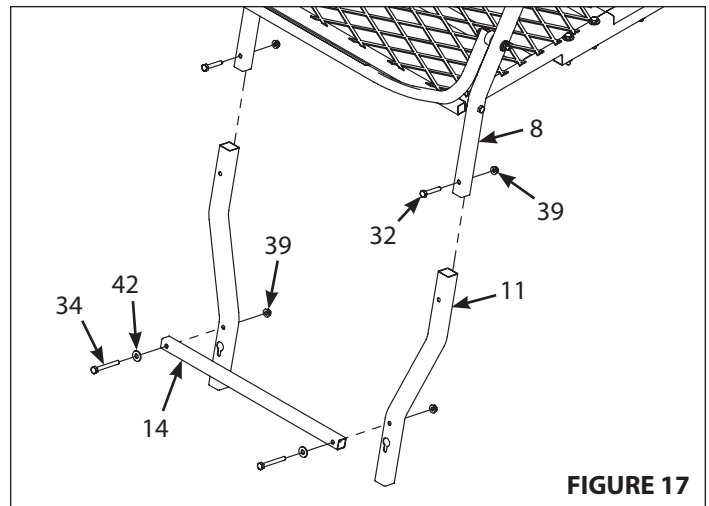
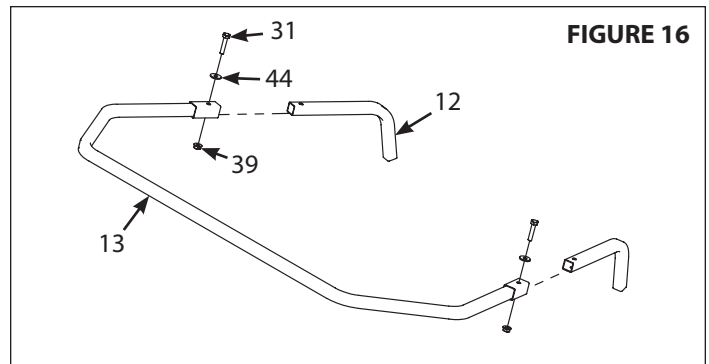
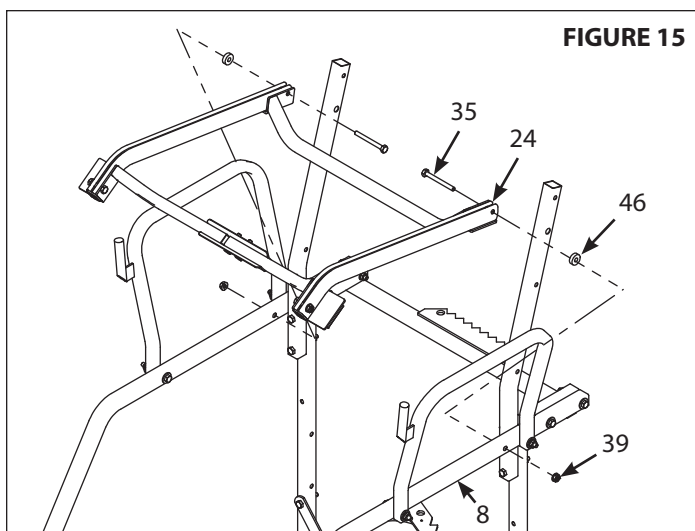


FIGURE 14 - Tighten the four front brace bolts and locknuts

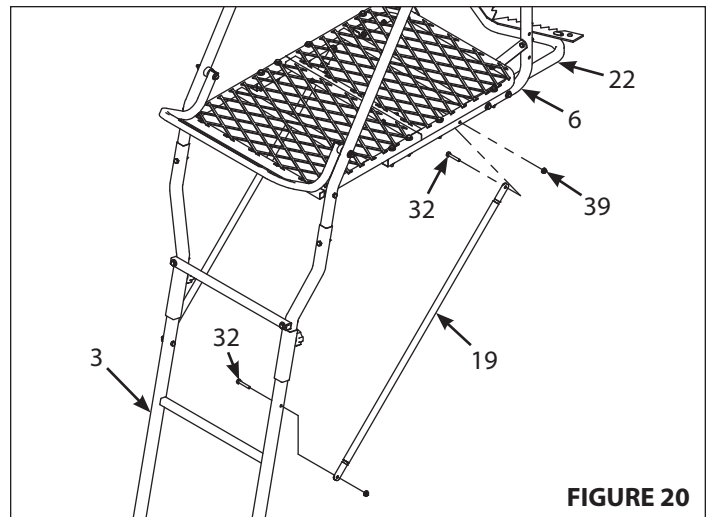
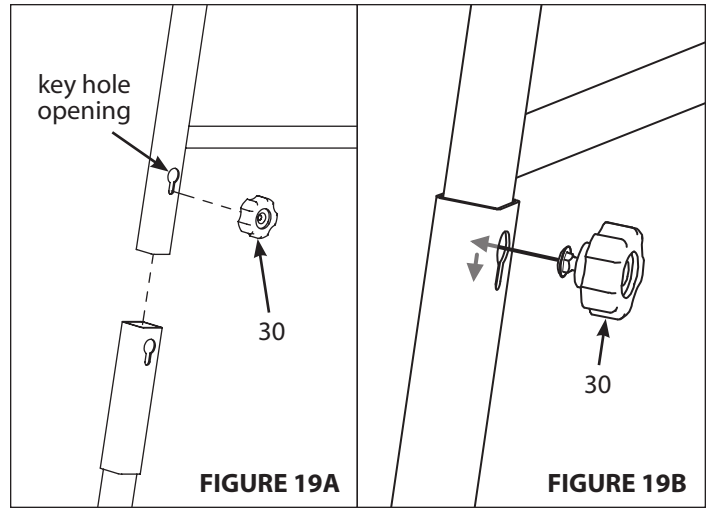
12. Remove the locknuts from the two 1/4-20 x 2-1/2" bolts (35) that were previously attached to the rear of the seat assembly (24). Do not remove the bolts. Continue by attaching the seat assembly to the ladder side rails (8) with the two 1/4-20 x 2-1/2" bolts (35), small nylon spacers (46) and locknuts (39). **SEE FIGURE 15. Make sure all four of the mesh seat corner brackets are fully cradling fabric rails.**

NOTE: Mesh seat is not depicted in drawing so hardware can be visible.

13. Insert the shooting rail J-pipes (12) into the shooting rail (13) and secure together using two provided 1/4-20 x 1-1/4" bolts (31), yellow washers (44) and locknuts (39). **SEE FIGURE 16.**
14. Insert the two ladder side rails (8) into the flared platform rails (11) and secure together using two provided 1/4-20 x 1-1/2" bolts (32) and locknuts (39). **SEE FIGURE 17.**
15. Attach the bolt-on ladder step (14) to the front side of flared platform rails (11) using two provided 1/4-20 x 2-1/4" bolts (34), steel washers (42) and locknuts (39). **SEE FIGURE 17.**
16. Attach the mesh backrest (27) and the two fabric mount strips (16) to the backrest mounts (7) using six provided 1/4-20 x 1-1/2" bolts (32) and locknuts (39). **SEE FIGURE 18.** The mesh backrest (27) must wrap around the front side of backrest mounts (7) and the plastic stiffening rod located in the sewn sleeve on each side of the backrest **MUST** be positioned behind the fabric mount strips (16) to act as a stop and prevent the backrest from pulling out during use. All bolts **MUST** go through the fabric mount strips, the holes provided in the backrest and the backrest mounts. **SEE FIGURE 18.** Temporary removal of the backrest mount tube from the rest of the assembled ladder top may be necessary to attach the mesh backrest. If this is needed, re-attach backrest mount tubes with mesh backrest to the ladder top assembly.
17. Thread the non-locking 3/8-16 nut (40) onto the threaded end of backrest spacer rod (20) all the way to the bottom of threads and slide on 3/8" spring lock washer (43). Insert the threaded end of backrest spacer rod through either backrest mount tube far enough to be able to insert the opposite end of backrest spacer rod (end with welded-on washer) into opposite backrest mount tube. Thread 3/8-16 nut (40) back against backrest mount tube (7) using a 9/16" wrench, tighten nut until mesh backrest becomes taut. **SEE FIGURE 18. You must now tighten all nut and bolt assemblies. Be sure not to over tighten or crush tubing when tightening!**



18. Sections are assembled on the ground in the following order: bottom ladder section (1); middle ladder section (2); top ladder section (3); assembled platform section. **SEE FINISHED LADDER.**
19. With all sections assembled together on ground, secure all sections together using six silent knob assemblies (30). These knob assemblies consist of a simple threaded knob with carriage bolt. Thread the knob onto carriage bolt only about 2 turns. Insert the head of carriage bolt into the large end of the key hole type opening in ladder pocket and slide the square "block" portion of carriage bolt head down into the slot. Doing this will capture the square "block" portion of carriage bolt and hold it in place. Tighten the knob by hand until tight which will draw the two ladder sections together and eliminate any slack between the ladder sections. **SEE FIGURE 19A AND 19B.**
20. Attach the two support braces (19) to the inside of lower tree blade (22) and outside of top ladder section (3) using four provided 1/4-20 x 1-1/2" bolts (32) and locknuts (39). The bolt will pass through the lower tree blade (22) and the platform support rail (6). **SEE FIGURE 20. Tighten securely. Be sure not to over tighten or crush tubing when tightening!**
21.
 - a. Attach the removable shooting rail by setting rail down over studs provided on armrests **SEE FINISHED LADDER.** Lubrication is recommended to prevent binding and noise.
 - b. Attach the two 9" pads (29) and one 47" pad (28) to the armrests and shooting rail by wrapping around tubing and attaching Velcro together.
 - c. Attach seat bumper pads (49) to the bottom sides of the front corner brackets of the mesh seat. Surface must be clean and at room temperature to assure proper adhesion.
 - d. Push in tubing end plugs (48) into the top opening of both backrest mount tubes (7) on either side of the backrest.



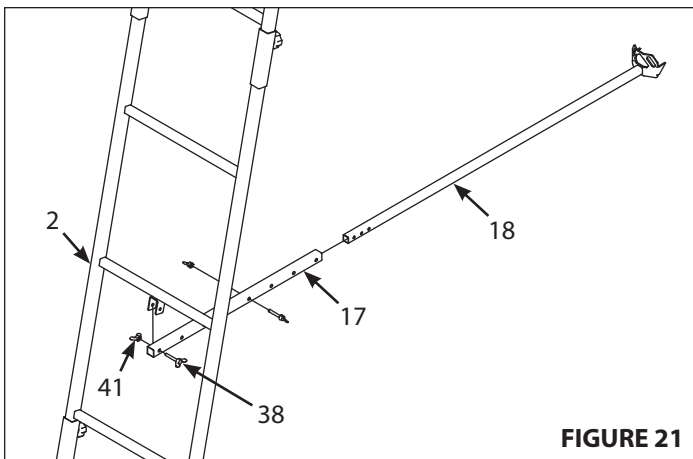
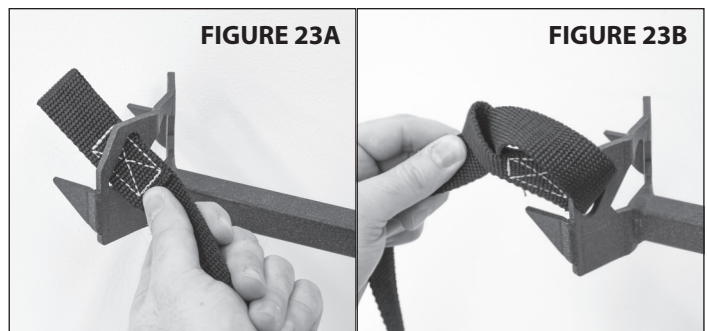
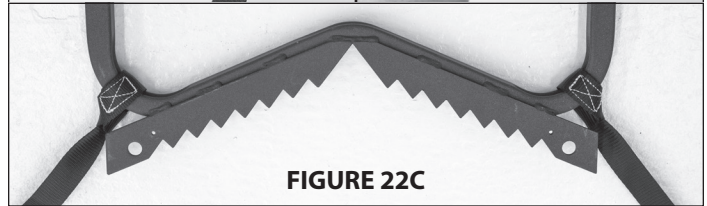
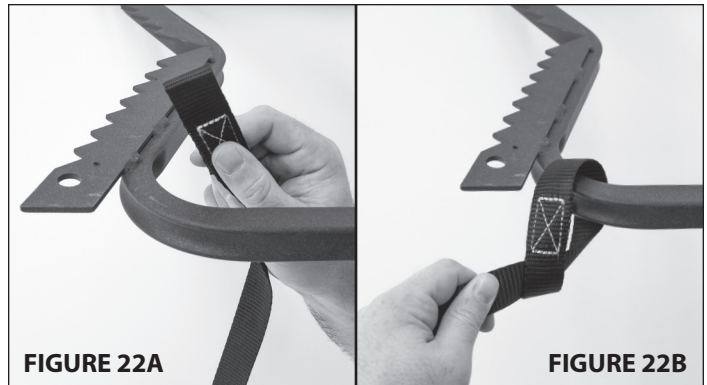
22. a. Attach the stabilizer bar extension tube (17) to the middle ladder section (2) mounting bracket using one provided 1/4-20 x 1-3/4" wing bolt (38) and wing nut (41). **SEE FIGURE 21.**
- b. Slide the stabilizer bar (18) into the extension tube (17) and attach the two pieces together using one provided 1/4-20 x 1-3/4" wing bolt (38). Wing bolt must go through both the extension tube and stabilizer bar at appropriate hole to achieve desired distance from tree. Adjustment in length may be needed when ladder is uprighted later in instructions. **SEE FIGURE 21.**

LONG CRISS-CROSS RATCHET STRAPS WITH S-HOOKS (52)

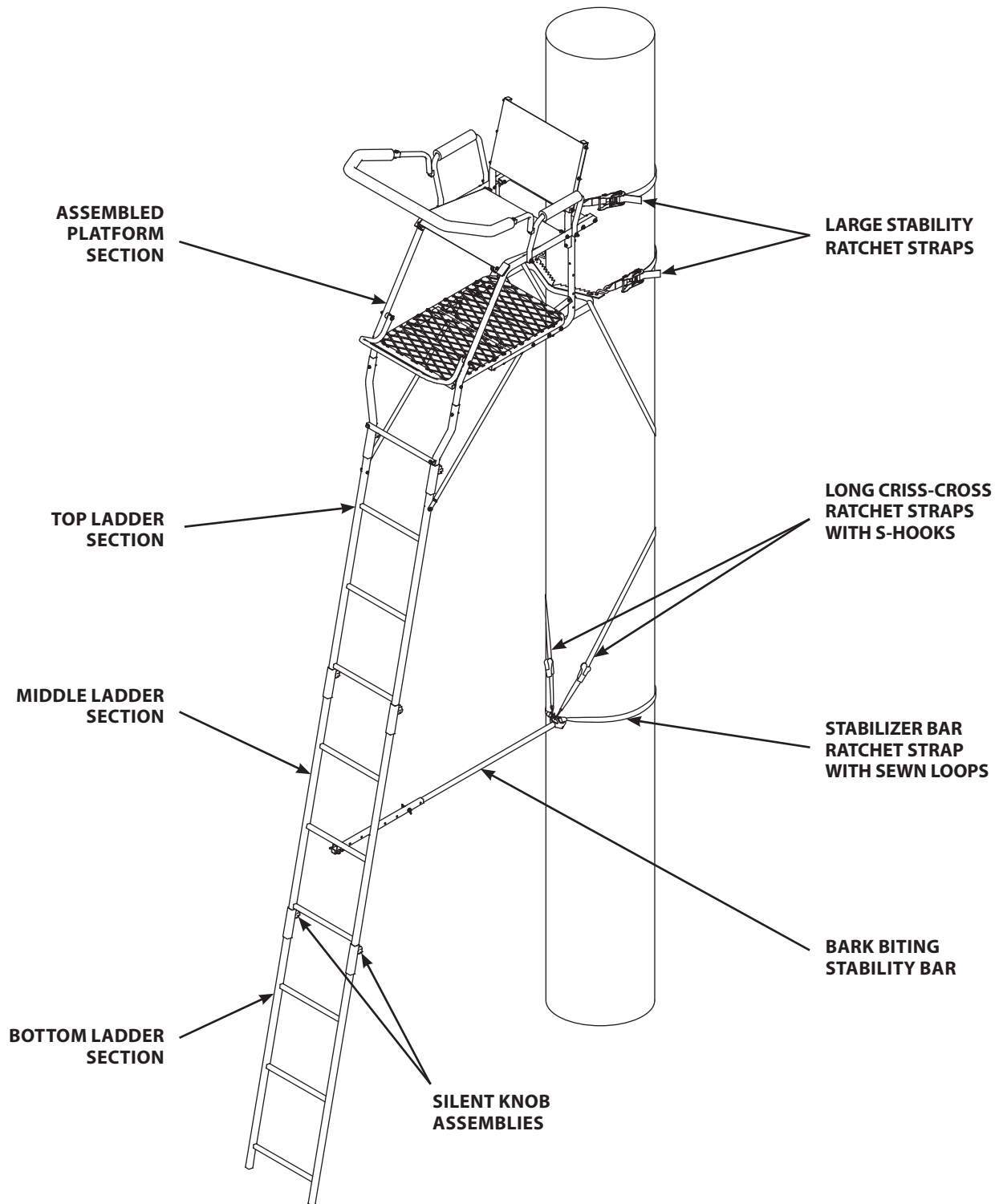
23. Attach the two long straps of the criss-cross ratchet straps (52) to the rear of platform. Wrap the sewn loop of each strap around the bends of the lower tree blade (22) and feed the loose end through the sewn loop. Pull tight, forming a cinch knot. This permanently attaches the long straps to the platform. **SEE FIGURES 22A, 22B AND 22C. Ratchet portion will be used later during setup and use instruction.**

STABILIZER BAR RATCHET STRAP WITH SEWN LOOPS (53)

24. a. Attach the long strap of the stabilizer bar ratchet assembly (53) to the stabilizer bar bark biting plate by feeding the sewn loop of long strap through either side slot in bark biting plate and feeding loose end through the sewn loop. Pull tight, forming a cinch knot. This permanently attaches the long strap to the stabilizer bar. **SEE FIGURES 23A, 23B AND 23C.**
- b. Attach the strap with the ratchet buckle of the stabilizer bar ratchet assembly (53) to the stabilizer bar bark biting plate by feeding the sewn loop of ratchet buckle strap through the opposite side slot in bark biting plate and feed the ratchet buckle through the sewn loop. Pull tight, forming a cinch knot. This permanently attaches the long strap to the stabilizer bar. **SEE FIGURES 23A, 23B AND 23C.**



FINISHED LADDER



 **WARNING**

- ▲ Double check assembly steps to be certain you have correctly assembled this product.
- ▲ Study your new stand to become familiar with all of its features and design. At ground level, following provided use instructions, practice attaching stand to tree and removing stand from tree. Practice sitting, standing, and using this product before attaching overhead. Save these instructions for future reference. You must always use the provided Fall Arrest System (FAS) while using this product.
- ▲ **Always** use at least three (3) people to install or take down a ladder treestand. **Always** have two people stabilize the ladder before climbing to the platform the first time after every set-up.
- ▲ Be absolutely sure the tree blade(s) on stand and the stabilizer bar are contacting tree before climbing ladder.
- ▲ Stabilizer bar must always be correctly and securely attached to ladder and tree before climbing ladder.
- ▲ Make sure ladder bottom is firmly seated on dry, level ground. Attach your harness tether to the tree before securing the platform to the tree and stepping onto platform. Refer to the Full Body Harness instructions.
- ▲ **Never** ascend or descend ladder without criss-cross straps/ropes securely holding ladder to tree and stabilizer bar securely attached. Failure to correctly perform these steps can cause the ladder to collapse/buckle-over backwards during the initial ascent to attach ratchet strap resulting in serious injury or death.
- ▲ **Always** lean forward as you climb and attach your harness to the tree before securing the platform to the tree and stepping onto the platform.
- ▲ **Always** maintain three (3) points of contact when climbing a ladder treestand. Proper three-point contact means having either two feet with one hand or one foot with two hands on the step portion of the ladder or climbing aid at all times.
- ▲ Bring ratchet strap(s) up with you in a pocket - **Do Not** carry in your hands!

 **WARNING**

- ▲ **Always** wear the appropriate footwear when using a ladder treestand. A good non-slip safety boot is important to your personal safety. Be especially careful that boot laces do not get hooked on the stand or any of its components (tuck shoelaces into boots before climbing).
- ▲ **Never** stand on seat, it is designed for sitting only.
- ▲ **Do Not** allow excessive strap buildup in ratchet as this will prevent the ratchet teeth from engaging causing slippage.
- ▲ **Always** attach ratchet straps securely while using this product!
- ▲ If seat is removable, be certain it is securely attached when in use.
- ▲ Some models include a shooting rail. **Never** lean against, lean over, or sit on shooting rail. It is designed as a shooting rest only. **Always** be aware that the shooting rail can swing to one side or pivot up and down.
- ▲ Some models include a footrest, which is designed as a footrest only. **Never** stand on footrest! **Always** be fully aware of foot placement.
- ▲ Some models include a multi-piece stabilizer bar system. Be sure attachment hardware goes through both the extension tube and the stabilizer bar.

SETUP AND USE INSTRUCTIONS

During installation and removal of ladder treestands, you must always and properly use the included Full Body Harness (Fall Arrest System). Refer to the Full Body Harness instructions included with this product for proper use.

WARNING

- ▲ **Never** ascend or descend ladder without criss-cross straps/ropes securely holding ladder to tree and stabilizer bar securely attached. Failure to correctly perform these steps can cause the ladder to collapse/buck-over backwards during the initial ascent to attach ratchet strap resulting in serious injury or death.

1. With assembled product lying on the ground in assembled position, **position one person at bottom end of ladder.** This person has to prevent the ladder end from tilting up when platform end is lifted and prevent the ladder from skidding across ground.
2.
 - a. Position two people at the platform end of the ladder, lift the platform end and continue uprighting by walking toward bottom end of ladder and moving hands along ladder legs. **Stand ladder up against chosen straight tree on dry, level ground.** Use caution when ladder comes over center against the tree.
 - b. Step back and look at the ladder top to see that both platform tree blade and upper tree blade are contacting tree. Adjust as needed so both the tree blades are contacting tree.
 - c. Step down hard on bottom step to push ladder legs into the ground.
3.
 - a. With stabilizer bar ratchet strap (53) now in hand, wrap the strap around the tree and feed the long strap through the center slot of ratcheting mechanism and back around through tightening lever. **SEE FIGURE 24.** Secure the ladder tight so the stabilizer bar (17 and 18) is at a right angle to the tree. Adjust stabilizer bar length as necessary so it contacts tree. Be absolutely sure the contact points on platform and the contact points on stabilizer bar bark biting plate are all contacting tree.

NOTE: Be sure you feed the long strap correctly so there are no twists in the strap.

- b. Pull tail of long strap of stabilizer bar ratchet strap (53) until most of the slack is taken out. Be sure entire strap is even and at the same level all around tree. "Ratchet" tight to tree, ensuring the two contact points on stabilizer bar bark biting plate are dug into the tree surface securely. This will securely attach the stabilizer bar to tree. **SEE FIGURES 25 AND 26.**

WARNING

- ▲ **Only** use approved RETI parts. Failure to do so may result in serious injury or death!

WARNING

- ▲ Bring ratchet strap(s) up with you in a pocket - **Do Not** carry in your hands!

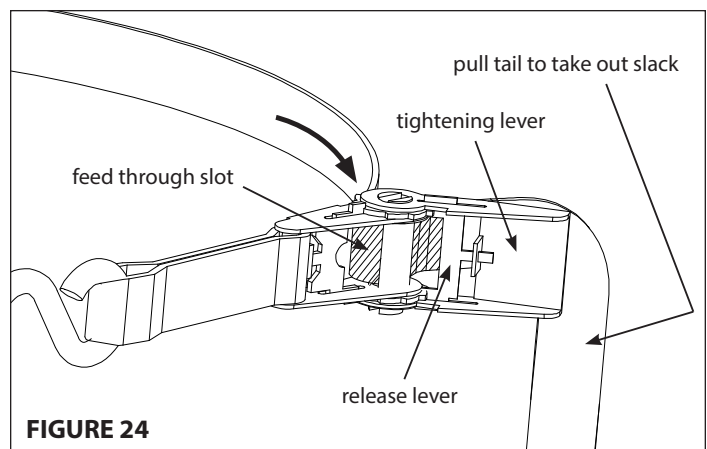


FIGURE 24



FIGURE 25

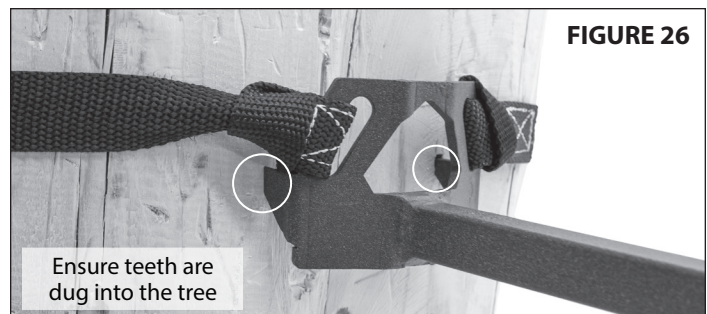


FIGURE 26

4. a. With long criss-cross ratchet strap with S-hook (52) now in hand, feed the long strap hanging down from platform through the center slot of ratcheting mechanism and back around through tightening lever. **SEE FIGURE 24.**

NOTE: Be sure you feed the long strap correctly so there are no twists in the strap.

b. While maintaining contact between long criss-cross strap (52) and tree surface, wrap entire ratchet strap assembly around back side of tree and hook S-hook to the middle opening of stabilizer bar bark biting plate. Pull tail of long strap until most of the slack is taken out. Be sure entire strap is evenly wrapped around tree, ratchet tight to tree. This will securely attach the first of two long ratchet straps to tree. **SEE FIGURES 27A AND 28.**

c. Repeat step 4a and 4b for attachment of the second long ratchet strap (52). **SEE FIGURES 27B AND 28.**

NOTE: It is extremely critical that the criss-cross ratchet straps are attached to the stabilizer bar bark biting plate in opposite directions of each other forming a "criss-cross" behind the tree. This ground level ladder-to-tree attachment will prevent the ladder from pulling away from the tree while ascending to top for final ratchet strap attachment. The same holds true when ladder removal is necessary. SEE FIGURE 28.

5. With two people securely holding the ladder, use the three point contact climbing method to slowly climb the ladder and carefully keep a constant hand grip on the ladder at all times. Always lean forward, toward tree, to keep top section tree blades against the tree. **Be certain ladder bottom is firmly seated on dry, level ground. Attach your harness tether to the tree before securing the platform to the tree and stepping onto platform. Refer to the Full Body Harness instructions included with this product.**

LARGE STABILITY RATCHET STRAPS (51)

6. Once platform is reached, hook S-hook with long strap through hole provided in upper tree blade frame. Feed the long strap through the center slot of ratcheting mechanism and back around through tightening level. **SEE FIGURE 24 AND 29.**

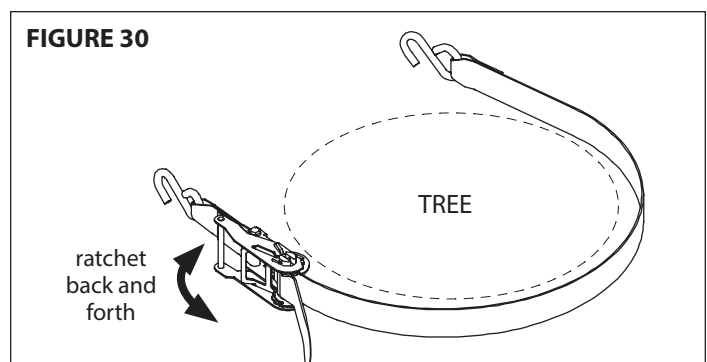
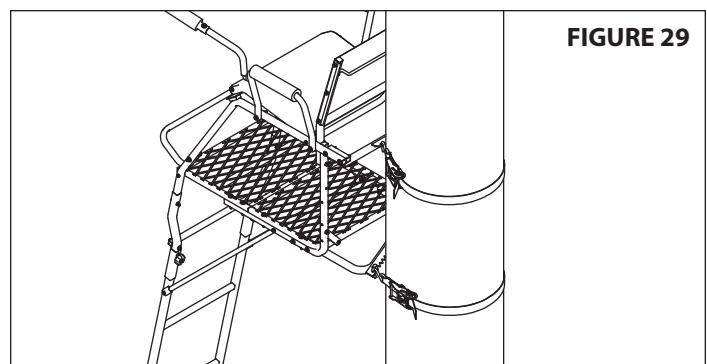
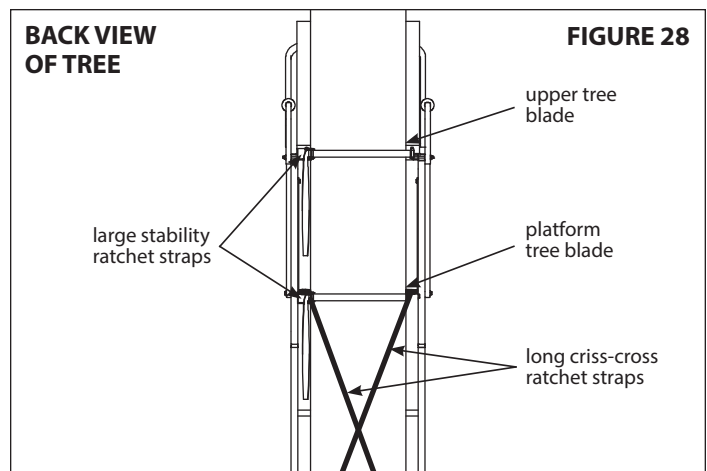
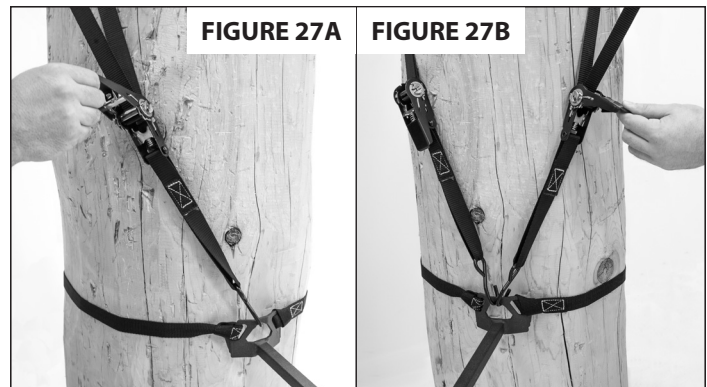
Note: Be sure to feed the long strap correctly so there are no twists in the strap.

7. Wrap entire ratchet assembly (51) around tree and hook other S-hook through opposite tree blade hole. Pull tail of long strap until most of the slack is taken out. Be sure entire strap is even and at the same level all around tree. "Ratchet" tight to tree, this will securely attach only the seat portion to tree and prevent movement. **SEE FIGURES 29 AND 30.**

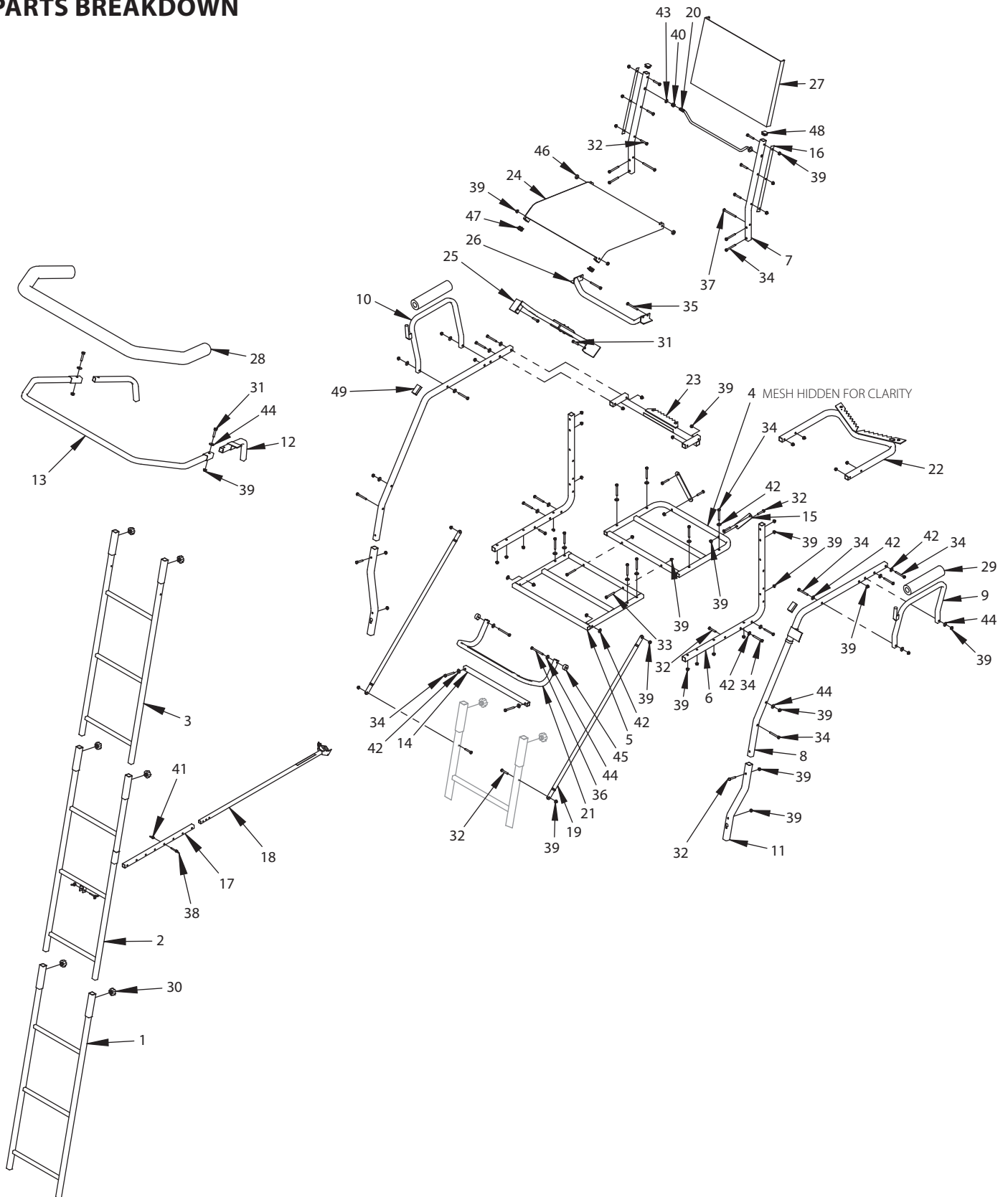
Note: To release ratchet, simply pull the release level and open tightening level wide open (flat).

8. Repeat steps 6 and 7 for the platform tree blade attachment. Place S-hooks through holes provided on bottom tree blade. **SEE FIGURES 24, 29 AND 30.**

9. Reverse setup and use instructions to take ladder down.



PARTS BREAKDOWN



PARTS BREAKDOWN

KEY #	PART #	DESCRIPTION	QTY.
1	23602	BOTTOM LADDER SECTION	1
2	23596	MIDDLE LADDER SECTION	1
3	23597	TOP LADDER SECTION	1
4	410058	REAR PLATFORM 20 IN X 15 IN	1
5	410050	FRONT PLATFORM 20 IN X 15 IN	1
6	410055	PLATFORM SUPPORT RAIL	2
7	410082	BACKREST MOUNT	2
8	410053	LADDER SIDE RAIL	2
9	410062L	LEFT ARMREST	1
10	410062R	RIGHT ARMREST	1
11	23767	FLARED PLATFORM RAIL	2
12	410113	SHOOTING RAIL J-PIPE	2
13	410065	SHOOTING RAIL	1
14	410034	LADDER STEP 17 IN	1
15	1ML40	FLAT BRACE BAR	2
16	410081	FABRIC MOUNT STRIP	2
17	1ML23	STABILIZER BAR EXTENSION TUBE	1
18	23600	STABILIZER BAR 39 IN	1
19	410024	SUPPORT BRACE 35.69 IN	2
20	410118	BACKREST SPACER	1
21	410061	FOOTREST	1
22	10164	LOWER LADDER TREE BLADE	1
23	10162	UPPER LADDER TREE BLADE	1
24	23779	SYCT SEAT 19.7 IN	1
25	23768	FRONT SEAT SPACER	1
26	23773	REAR SEAT SPACER	1
27	23777	SYCT BACKREST ASSEMBLY 22.2 IN	1
28	48912	FOAM SLEEVE 47 IN	1
29	48736	FOAM SLEEVE 9 IN	2
30	23603	SILENT KNOB ASSEMBLY	6
31	8909B	1/4-20 X 1-1/4 BOLT	4
32	48240B	1/4-20 X 1-1/2 BOLT	16
33	48153B	1/4-20 X 2 BOLT	2
34	48271B	1/4-20 X 2-1/4 BOLT	26
35	48270B	1/4-20 X 2-1/2 BOLT	2
36	67540B	1/4-20 X 2-3/4 BOLT	2
37	48280B	1/4-20 X 3 BOLT	2
38	48044B	1/4-20 X 1-3/4 WING BOLT	2

KEY #	PART #	DESCRIPTION	QTY.
39	48752B	1/4-20 NUT	54
40	10755	3/8-16 NUT	1
41	48042B	1/4-20 WING NUT	2
42	48261B	1/4 INCH FLAT WASHER	22
43	719	3/8 INCH SPRING LOCK WASHER	1
44	23572	PLASTIC YELLOW WASHER 6.5MM X 19MM X 2MM	10
45	10347	PLASTIC SPACER 6.4MM X 25.4MM X 12.7MM	2
46	15909	PLASTIC SPACER 7.1MM X 19MM X 6MM	2
47	23307	SEAT CHANNEL PLASTIC CAP	2
48	23439	22MM TUBING END PLUG	2
49	48102	BUMPER PAD	2

ITEMS NOT SHOWN:

KEY #	PART #	DESCRIPTION	QTY.
50	10531	FULL BODY HARNESS (FAS)	1
51	23610	1-1/2 RATCHET STRAP	2
52	11064	CRISS-CROSS RATCHET STRAP	2
53	11058	STABILIZER BAR RATCHET STRAP W/LOOP	1
54	48800	DVD TREESTAND SAFETY	1

**NO EXTENSIONS AVAILABLE FOR THIS MODEL.
 NEVER MODIFY OR EXCEED ORIGINAL STATED USE HEIGHT!**

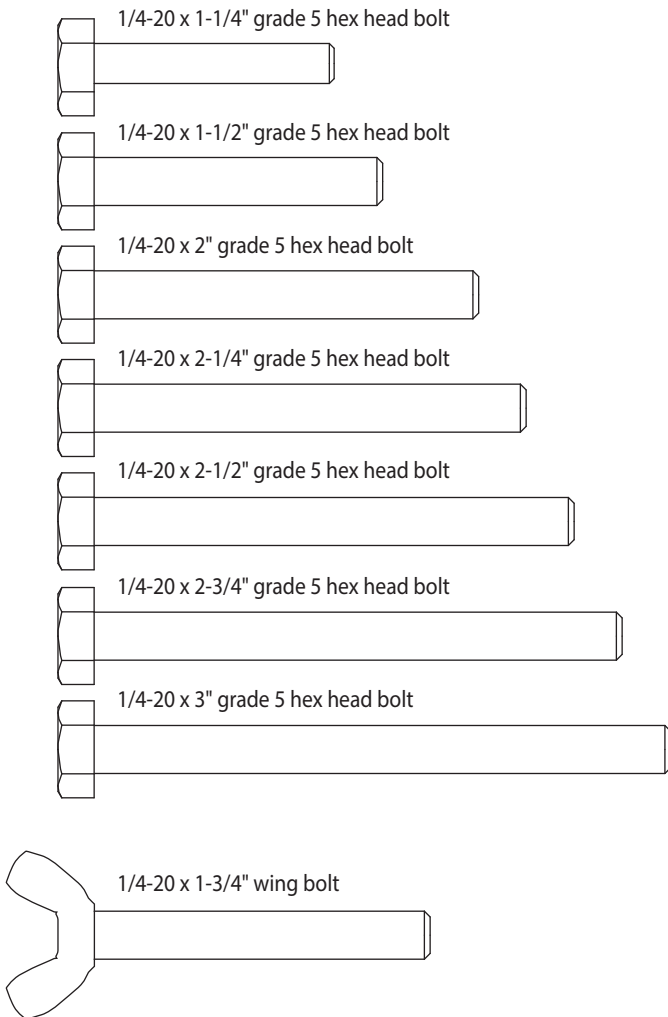
Maximum Height - 17' 2" to shooting rail

Maximum Field Rating - 300 lbs.

Tree Diameter Range - 12" to 20"

BOLT IDENTIFICATION CHART

Not all bolt sizes shown are included with all treestands.
Bolts shown are for size reference only. Extra hardware may be included in the parts bag.



NOTES



Rivers Edge® Treestands, Inc.
1160 Eighth Avenue, PO Box 755
Cumberland, WI 54829
800-450-EDGE (3343) | Fax 715-822-2124
Email: info@huntriversedge.com