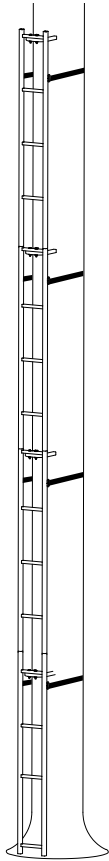




Operator's Manual
Climbing Aids



20' TROPHY™ TREE LADDER
Model RE705



15' RAPID STICK
Model RE709

INCLUDES MODEL #'s:

- RE705, 20' Trophy Tree Ladder
- RE708, 20' Rapid Stick
- RE709, 15' Rapid Stick
- RE710, 5' Rapid Stick Section
- RE720, 20' Double Rung Climbing Aid
- RE721, 15' Double Rung Climbing Aid
- RE722, 5' Double Rung Climbing Aid Section





Rivers Edge Treestands are engineered with you the hunter in mind. We appreciate your purchase of one of our world class treestands. Follow these few simple instructions and your stand will provide you many years of trouble-free pleasure. Instructions should be kept in a safe place and reviewed at least annually.

If for any reason you have a problem with your product, **DO NOT return to the retailer**, contact the Rivers Edge customer service department at 800-450-EDGE (3343) for assistance.

CONTENTS

Introduction and Warranty	2
Warnings.....	3-4
Inspection and Maintenance	5
Assembly/Set-Up and Use/Parts Explosion/Parts List (RE705).....	6-8
Assembly/Set-Up and Use/Parts Explosion/Parts List (RE708, RE709, RE710).....	9-11
Assembly/Set-Up and Use/Parts Explosion/Parts List (RE720, RE721, RE722).....	12-16
Bolt Guide	17

WARRANTY

Rivers Edge Treestands, Inc., offers a lifetime warranty to be free from defects in materials and workmanship. This warranty applies to the original owner with a proof of purchase. All items attached to our stands (seat, strap, rope, wood, etc.) that are degradable are warranted for a period of one year. There is no warranty on paint. This warranty applies to products that are not modified, abused or misused in a manner that deviates from the products intended usage. Rivers Edge Treestands offers no other warranty expressed or implied nor is to be held liable for any damage that may result from any defect in a treestand manufactured by them. Warranty work must be sent directly to Rivers Edge Treestands and performed by them. **To obtain warranty service and/or replacement instructions, you must have prior approval from Rivers Edge Treestands before shipping your package to us by calling our customer service department at 800-450-EDGE (3343) or by writing to: Rivers Edge Treestands, Inc., P.O. Box 755, 1690 Elm Street, Cumberland, WI 54829 for a return material authorization number (RMA#).** All items must be shipped prepaid. Rivers Edge Treestands will at no charge, repair or replace, at their discretion, any defective stand which falls under the conditions stated above. Rivers Edge Treestands retains the right to change models, specifications and price without notice.

This equipment has been manufactured under strict quality guidelines. As with any equipment of this type, full understanding of the instructions and its use is mandatory for the safety of its user. Rivers Edge Treestands, Inc., is not responsible for any damages or injuries sustained due to improper use or modification of any of its products, or due to any use which deviates from the products intended usage. The manufacturer also is not responsible for any injuries sustained due to failure to adhere to the instructions for use. Any misunderstanding of its operation should be directed to manufacturer prior to its use.

Owner is responsible to check product field rating and must never exceed maximum weight rating stated. Rivers Edge Treestands, Inc., is not responsible for any malfunction due to normal wear and tear and/or damage caused by improper use, improper maintenance or accidents. This product if used safely as intended, will give you years of trouble free service. We hope you will enjoy the quality of our products for years to come, and have a safe hunt.

For replacement parts, phone 800-450-EDGE (3343) or go online to www.HuntRiversEdge.com.

WARNINGS

WARNING

YOU MUST PURCHASE AND ALWAYS USE A FULL BODY HARNESS (FALL ARREST SYSTEM) WITH A CLIMBING BELT THAT MEETS TMA STANDARDS WHILE USING THIS PRODUCT. SINGLE SAFETY BELTS AND CHEST HARNESSES ARE NO LONGER ALLOWED AND SHOULD NEVER BE USED.

IF YOU ARE NOT WEARING A FULL BODY HARNESS WITH A CLIMBING BELT THAT IS PROPERLY ATTACHED TO THE TREE THAT IS PROTECTING YOU FROM A FALL, DO NOT LEAVE THE GROUND.

FAILURE TO USE OR IMPROPER USE OF A FULL BODY HARNESS (FALL ARREST SYSTEM) WITH A CLIMBING BELT THAT MEETS TMA STANDARDS MAY RESULT IN SERIOUS INJURY OR DEATH! READ, UNDERSTAND AND FOLLOW ALL INSTRUCTIONS. IF ANY INSTRUCTIONS ARE NOT UNDERSTOOD OR IF YOU HAVE A PARTS ISSUE CALL 800-450-EDGE (3343) BEFORE USING.

READ, UNDERSTAND AND FOLLOW ALL ASSEMBLY, INSPECTION, MAINTENANCE, & USE INSTRUCTIONS PROVIDED BEFORE EACH USE. FAILURE TO FOLLOW ALL WARNINGS AND INSTRUCTIONS COULD RESULT IN SERIOUS INJURY OR DEATH.

READ AND PERFORM ALL INSPECTION AND MAINTENANCE TASKS BEFORE EACH AND EVERY USE. REPLACE ANY QUESTIONABLE COMPONENTS IMMEDIATELY WITH RIVERS EDGE ORIGINAL REPLACEMENT PARTS. DO NOT LEAVE YOUR STAND OUTDOORS – REMOVE AFTER EACH USE AND STORE INDOORS!

INSTRUCTIONS SHOULD BE KEPT IN A SAFE PLACE AND REVIEWED AT LEAST ANNUALLY.

DOUBLE CHECK ASSEMBLY STEPS TO BE CERTAIN YOU HAVE CORRECTLY ASSEMBLED THIS PRODUCT.

DO NOT CRUSH TUBING WHEN TIGHTENING BOLT ASSEMBLIES! IDENTIFY AND FAMILIARIZE YOURSELF WITH ALL PARTS BEFORE YOU START.

DO NOT EXCEED THE TOTAL FIELD RATING- 300 LB.

NEVER USE ANY PRODUCT THAT HAS NOT BEEN MAINTAINED OR INSPECTED PROPERLY – YOUR LIFE DEPENDS ON IT!

WHEN HUNTING FROM A TREESTAND, FALLS CAN OCCUR ANY TIME AFTER LEAVING THE GROUND CAUSING INJURY OR DEATH.

WARNING

NEVER ATTACH TO A DEAD, ODD-SHAPED, LEANING, DISEASED, LOOSE-BARKED TREE OR UTILITY POLES.

REPLACE ANY AND ALL TREESTAND STRAPS EVERY TWO YEARS OR WHEN ANY SIGNS OF DAMAGE OR WEAR EXIST BEFORE.

BE SURE TO RAISE AND LOWER YOUR WEAPON OR GEAR WITH A HAUL LINE. GUN BARREL END OR ARROW TIPS MUST BE POINTED DOWN - AWAY FROM YOU.

ALL ASSEMBLY MUST BE DONE IN THIS ORDER AT GROUND LEVEL BEFORE SETUP AND USE.

STUDY YOUR NEW CLIMBING AID TO BECOME FAMILIAR WITH ALL OF ITS FEATURES AND DESIGN. AT GROUND LEVEL, FOLLOWING PROVIDED USE INSTRUCTIONS, PRACTICE ATTACHING CLIMBING AID TO TREE AND REMOVING FROM TREE BEFORE ATTACHING OVERHEAD. SAVE THESE INSTRUCTIONS FOR FUTURE REFERENCE. PROPERLY USE A FULL BODY HARNESS (FALL ARREST SYSTEM) WITH A CLIMBING BELT THAT MEETS TMA STANDARDS AT ALL TIMES INCLUDING ASCENDING TO AND DESCENDING FROM A TREESTAND.

SECTIONAL LADDERS AND STEPS SHOULD BE SPACED ON THE TREE TO INSURE EACH STEP IS NO MORE THAN 18-INCHES APART.

CHECK EVERY STICK LADDER SECTION CONNECTION EVERY TIME YOU USE THE STICK LADDER BEFORE YOU LEAVE THE GROUND. IF STICK LADDER SECTIONS ARE SEPARATING, DO NOT USE THE STICK LADDER.

BE CERTAIN TO ALWAYS LEAN FORWARD, TOWARD THE TREE WHEN ASCENDING OR DESCENDING CLIMBING AID.

ALWAYS HAVE THREE POINTS OF CONTACT WHILE CLIMBING STICK.

NEVER HOLD ONTO ANY SECTION OR PULL ON ANY SECTION THAT IS NOT SECURELY ATTACHED TO THE TREE WITH THE PROVIDED STRAP AND BUCKLE.

ALWAYS ATTACH THE CAM STRAP ASSEMBLY SO THE SPRING LOADED CAM LEVER OF THE STRAP IS FACING AWAY FROM THE TREE. NEVER TOUCH THE CAM LEVER WHILE PUTTING WEIGHT ON THE STICK AND/OR CLIMBING THE STICK AS THIS COULD POTENTIALLY RELEASE THE STRAP AND REMOVE THAT SECTION FROM THE TREE.

⚠ WARNING

A FULL BODY HARNESS WITH LINEMAN'S/CLIMBING BELT MUST BE WORN AT ALL TIMES WHILE INSTALLING OR REMOVING ANY HANG-ON CLIMBING AIDS.

HANG-ON CLIMBING AIDS MUST BE PLACED ON THE TREE AT A HEIGHT ABOVE THE PLATFORM WHERE THE USER CAN MAINTAIN A HANDHOLD OF THE UNIT AND STEP DOWNWARDS ONTO THE TREESTAND. NEVER STEP UP FROM A CLIMBING DEVICE TO GET INTO YOUR STAND.

WHEN USING A CLIMBING/LINEMAN'S BELT TO ASCEND THE TREE, THE FULL BODY HARNESS TETHER SHOULD BE ATTACHED TO THE TREE BEFORE STEPPING DOWN ONTO THE TREESTAND.

NEVER JUMP OR BOUNCE ON A CLIMBING AID TO SEAT IT TO THE TREE.

LUBRICATION IS HIGHLY RECOMMENDED AT SLIDE TOGETHER POINTS OF EACH SECTION TO PREVENT BINDING. SECTIONS ARE STACKED TOGETHER BY SLIDING SECTIONS TOGETHER, INSIDE OF EACH OTHER.

BE SURE SECTIONS ARE SEATED COMPLETELY TOGETHER ON SWEDGED ENDS OF PIPE.

DO NOT UNDER ANY CIRCUMSTANCES EXCEED THE MAXIMUM USAGE HEIGHT OF 20'. 5' EXTENSIONS CAN ONLY BE USED WITH 15' CLIMBING AIDS.

BOTTOM OF ASSEMBLED CLIMBING AID MUST ALWAYS TOUCH GROUND DURING USE. NEVER POSITION CLIMBING AID SO THE BOTTOM IS NOT TOUCHING THE GROUND.

ALWAYS...

- Be physically fit, mentally alert, and well rested before using this product.
- Read, understand and follow all warnings and instructions before use, save for future reference.
- Use a Full Body Harness (Fall Arrest System) with a climbing belt that meets TMA standards at all times including ascending to and descending from a treestand.
- Be fully aware of foot placement.
- Recommended for adult use only.
- Inspect for missing parts, all hardware condition, and damage before every application, replace if necessary.
- Remove after every use, store product indoors.
- Use only Rivers Edge original replacement parts.
- Lean forward, toward tree, when ascending or descending climbing aid.
- Place climbing aid on dry, level ground.
- Lubricate all slide together points with powder graphite to prevent binding, wear, rust & noise.
- Avoid all electrical power lines.
- Inform someone of the hunting location, where the treestand will be located and the expected duration of the hunt.
- Carry a signal device such as a mobile phone, radio, whistle, signal flare or personal locator device (PLD) and it must be readily available at all times.
- Inspect the climbing aid/treestand and all safety devices each time before use and do not store outdoors when not in use.

NEVER...

- Exceed maximum usage height of 20'.
- Sleep in a treestand.
- Use on wet, soft, or unstable ground.
- Exceed the total field rating of 300 lbs.
- Attach to a dead, odd-shaped, leaning, diseased, loose-barked tree or utility pole.
- Use on trees with a diameter smaller than 8 inches or larger than 20 inches.
- Use a climbing aid/treestand during inclement weather such as rain, lightning, windstorms or icy conditions and end your hunt and return to the ground if inclement conditions arise.
- Carry gun or bow when ascending or descending.
- Alter the original design of your climbing aid.
- Jump on or use in a careless manner.
- Lean out over edge of device.
- Use when intoxicated or using over-the-counter medication or prescription drugs.
- Use a climbing aid/treestand when feeling ill, nauseous or dizzy, or if you have a prior medical condition that could cause a problem (i.e. heart condition, joints that lock up, spinal fusions, etc.) or if you are not well rested.
- Rely on a tree branch for support.
- Use a damaged product, replace with new.
- Loan your climbing aid to someone else.

INSPECTION AND MAINTENANCE SCHEDULE

FOR ALL RIVERS EDGE PRODUCTS

- Inspect all webbing, rope, cord, and strap assemblies for wear or damage.
- Inspect cables and cable ends for damage or kinking.
- Inspect all hardware and chain components for damage.
- Inspect for any structural damage to product. (Return to factory for repair or discard product if any damage is found.)
- Inspect all nut and bolt assemblies to be certain none are loose.
- Inspect for any missing parts.
- Lubricate all pivot and slide together points with powder graphite to prevent noise, wear, and rust.
- Inspect entire product for any rust, corrosion, cracks, freezing, excessive heat, or rotting damage that may effect the safety of your product. Discard any questionable product.
- Inspect entire product for any structural damage - pay close attention to all weld locations. (Return to factory for repair or discard product if any damage is found.)
- Using correct wrenches inspect all nut & bolt assembly locations and snug up any that may be loose. Be careful not to crush tubing when tightening!
- Inspect and check operation of all cables, cable ends, cord, rope, webbing, and strap or chain assemblies. Replace with factory new any item or assembly that shows signs of wear, damage, kinking, or functions incorrectly.
- Inspect seat. Replace any seat with factory new that shows signs of structural damage or wear.
- Inspect all hardware for wear or damage, also be sure you have no missing parts.
- Never modify your treestand in any way by making repairs, replacing parts, or altering adding or attaching anything to it except if explicitly authorized in writing by the manufacturer.

ASSEMBLY INSTRUCTIONS (RE705)

Tools needed – two 7/16" wrenches

IMPORTANT ASSEMBLY TIP: Do not tighten any nut and bolt combinations completely until all parts are assembled together! Finger tighten plus one turn of a wrench only! This will temporarily hold the lock nut on the bolt while helping alignment of all parts! After all parts are assembled together, all nut & bolt combinations must be completely tightened.

1. Bolt a U-shaped tree hugger (RCL12) onto the bottom side of the top step of each ladder section using the (2) provided 1/4-20 x 2" bolts, locknuts and steel washers. U-shaped tree hugger must point in the same direction as welded on links on vertical posts. **SEE FIGURE 1. Tighten all nut & bolt assemblies. Be sure not to over tighten or crush tubing when tightening!**

NOTE: Top end is always the end with holes drilled in step.

NOTE: Head of bolt should be on top side of step and locknut should be on underside of tree hugger.

2. Using (1) of the provided cam straps (48749), insert the looped end of the short strap through one of the welded links of the Trophy Tree Ladder post. Take the entire cam strap assembly and feed it through the loop and pull tight, forming a knot. The cam strap will now be securely attached to the Trophy Tree Ladder. **SEE FIGURES 2 AND 4. Repeat for each section.**

3. Sections are assembled on the ground in the following order: bottom section (RCL9), middle section (RCL10), middle section (RCL10), top section (RCL11). **SEE FINISHED 20' TROPHY TREE LADDER.** Sections stack together by sliding sections together, inside of each other.

NOTE: On 20' model, a second middle section (RCL10) is inserted between bottom and top sections. **SEE FINISHED 20' TROPHY TREE LADDER.**

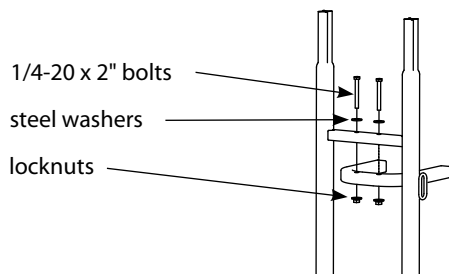


Figure 1



Figure 2

WARNING

U-SHAPED TREE HUGGER MUST ALWAYS BE BOLTED ON BOTTOM SIDE OF STEPS.

U-SHAPED TREE HUGGER MUST ALWAYS BE ORIENTATED IN THE SAME DIRECTION AS THE WELDED-ON LINKS ON THE VERTICAL POSTS.

SET-UP AND USE INSTRUCTIONS

1. Stand the ladder up against the selected straight tree on dry, level ground. Take snap hook end of bottom section strap, wrap it around the tree, and attach it securely to the welded on chain link on opposite vertical post. Pull the tail of the cam strap so that the section is snugly secured to the tree. **SEE FIGURE 3.** Be certain (2) two contact points of tree hugger are contacting the tree.

NOTE: Be sure you wrap the strap correctly so there are no twists in the strap and that the cam lever of buckle is facing away from the tree.

2. While properly wearing/using a Full Body Harness with a lineman's/climbing belt, climb the climbing aid only far enough to reach the middle section strap and attach it to the tree. Repeat step 1 for proper attachment.
3. Repeat steps 1 and 2 for strap attachment for each section until all sections are securely attached.
4. Reverse set-up and use instructions to take down climbing aid.



Figure 3

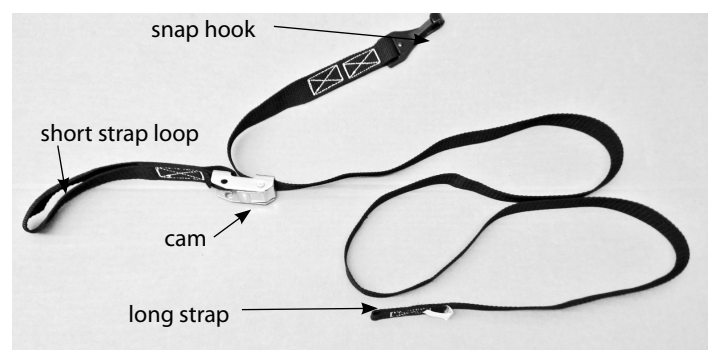
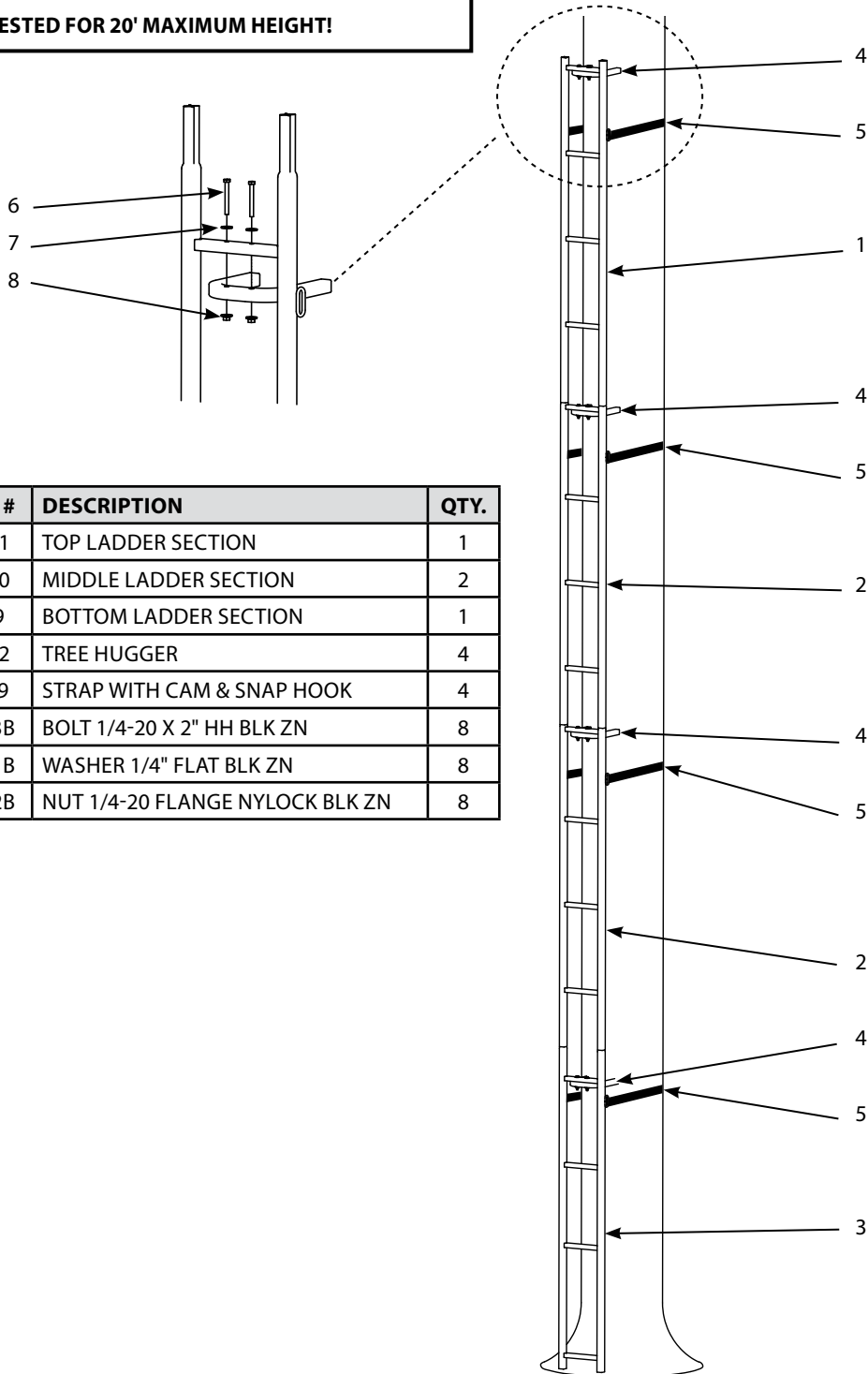


Figure 4

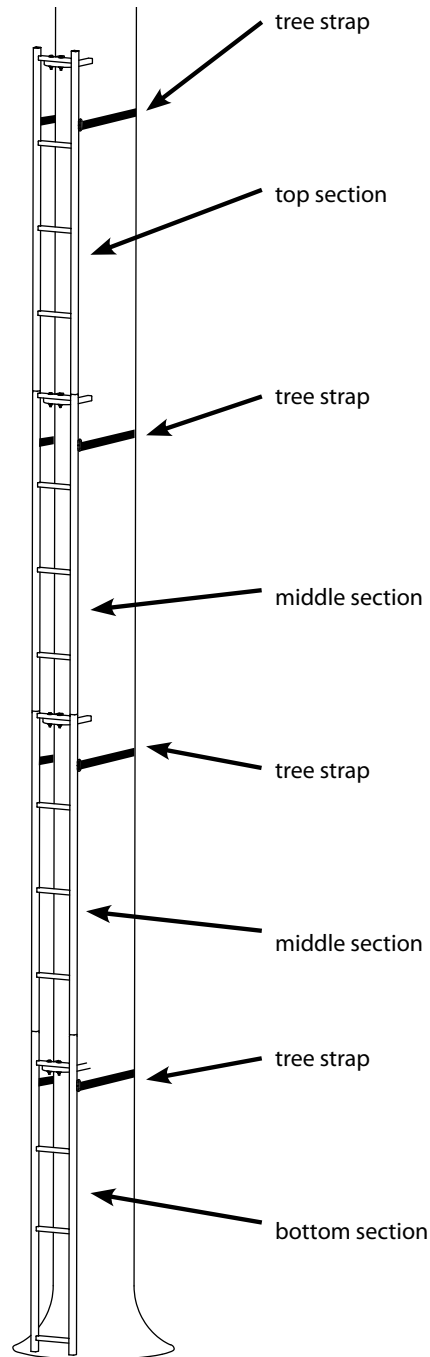
20' TROPHY TREE LADDER PARTS

**NO EXTENSIONS AVAILABLE FOR THIS MODEL,
TESTED FOR 20' MAXIMUM HEIGHT!**



KEY #	PART #	DESCRIPTION	QTY.
1	RCL11	TOP LADDER SECTION	1
2	RCL10	MIDDLE LADDER SECTION	2
3	RCL9	BOTTOM LADDER SECTION	1
4	RCL12	TREE HUGGER	4
5	48749	STRAP WITH CAM & SNAP HOOK	4
6	48153B	BOLT 1/4-20 X 2" HH BLK ZN	8
7	48261B	WASHER 1/4" FLAT BLK ZN	8
8	48752B	NUT 1/4-20 FLANGE NYLOCK BLK ZN	8

FINISHED 20' TROPHY TREE LADDER PARTS (RE705)



ASSEMBLY INSTRUCTIONS (RE708, RE709, RE710)

Tools needed – two 7/16" wrenches

IMPORTANT ASSEMBLY TIP: Do not tighten any nut and bolt combinations completely until all parts are assembled together! Finger tighten plus one turn of a wrench only! This will temporarily hold the lock nut on the bolt while helping alignment of all parts! After all parts are assembled together, all nut & bolt combinations must be completely tightened.

1. Attach one tree hugger (SS12) to each stick section using (1) provided 1/4-20 x 3" bolt, 1/4" washer and locknut on each section. **SEE FIGURE 1. Tighten all nut & bolt assemblies. Be sure not to over tighten or crush tubing when tightening!**
NOTE: Head of bolt should be on front side of step and washers and locknut should be on back side of tree hugger.
2. Attach the provided anti-slip tape (48104) to the top side of each step. The step must be clean and at room temperature to assure proper adhesion.
3. Thread the snap hook of strap through the pocket on the vertical post of each section. **SEE FIGURE 2.** Temporarily and loosely tie the strap (48748) to the Rapid Stick section to prevent it from falling off during transport and uprighting.

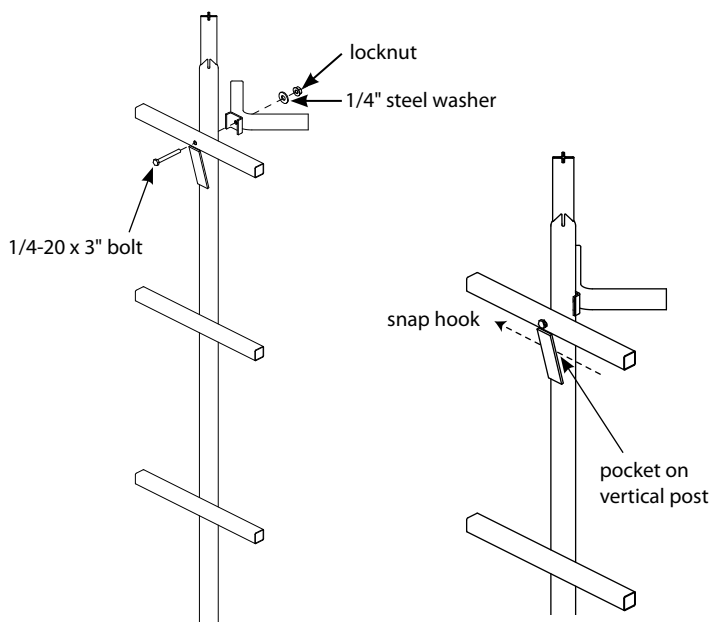


Figure 1

Figure 2

4. Sections are assembled on the ground in the following order: bottom section (SS9), middle section (SS10), top section (SS11). **SEE FINISHED 15' RAPID STICK.** Sections are stacked together by sliding sections together, inside of each other.

NOTE: On 20' model, a second middle section (SS10) is inserted between bottom and top sections. SEE FINISHED 20' RAPID STICK.

NOTE: If you purchased the optional 5' Extension (RE710), it is to be inserted (positioned) between top & bottom sections. Extensions are the same design as the middle sections that come with a complete 15' Rapid Stick or 20' Rapid Stick.

SET-UP AND USE INSTRUCTIONS

1. Stand the stick up against the selected straight tree on dry, level ground. Take the buckle end of the bottom section strap, wrap it around the tree, and attach it to the snap hook end of the strap. Pull the strap so that the section is snugly secured to the tree. **SEE FIGURE 3.** Be certain (2) two contact points of tree hugger are contacting the tree.
NOTE: Be sure you wrap the strap correctly so there are no twists in the strap and that the cam lever of the buckle is facing away from the tree.
2. While properly wearing/using a Full Body Harness, climb the climbing aid only far enough to reach the middle section strap and attach it to the tree. Repeat step 1 for proper attachment.
3. Repeat steps 1 and 2 for strap attachment for each section until all sections are securely attached.
4. Reverse set-up and use instructions to take down climbing aid.

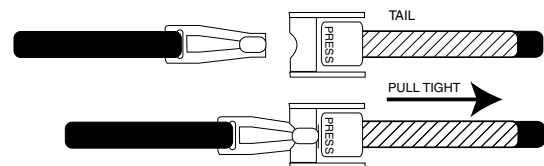
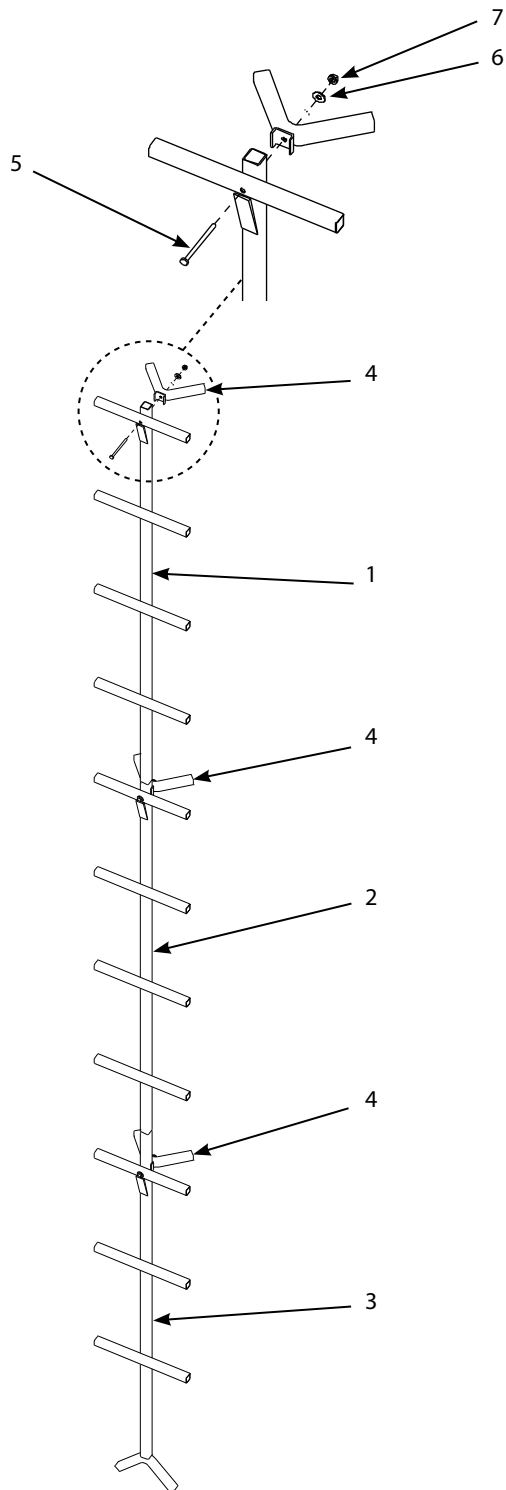


Figure 3

15' RAPID STICK PARTS RE709

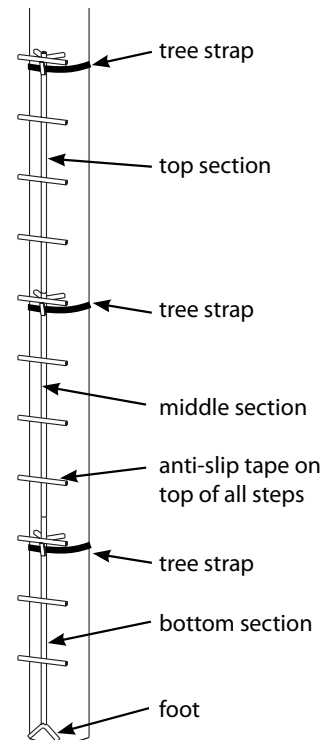


**5' EXTENSION (RE710) AVAILABLE FOR THIS MODEL,
TESTED FOR 20' MAXIMUM HEIGHT!**

15' RAPID STICK PARTS

KEY #	PART #	DESCRIPTION	QTY.
1	SS11	TOP STICK SECTION	1
2	SS10	MIDDLE STICK SECTION	1
3	SS9	BOTTOM STICK SECTION	1
4	SS12	TREE HUGGER	3
5	48280B	BOLT 1/4-20 X 3" HH BLK ZN	3
6	48261B	WASHER 1/4" FLAT BLK ZN	3
7	48752B	NUT 1/4-20 FLANGE NYLOCK BLK ZN	3
--	48748	STRAP WITH CAM & SNAP HOOK	3
--	48104	ANTI-SLIP TAPE 1/2" X 12"	11

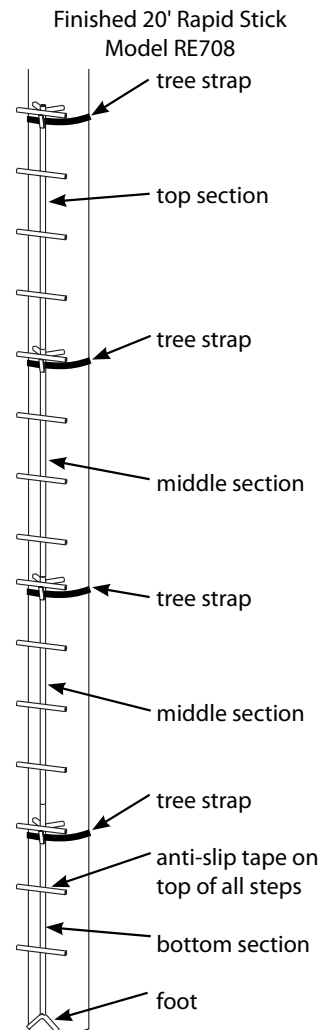
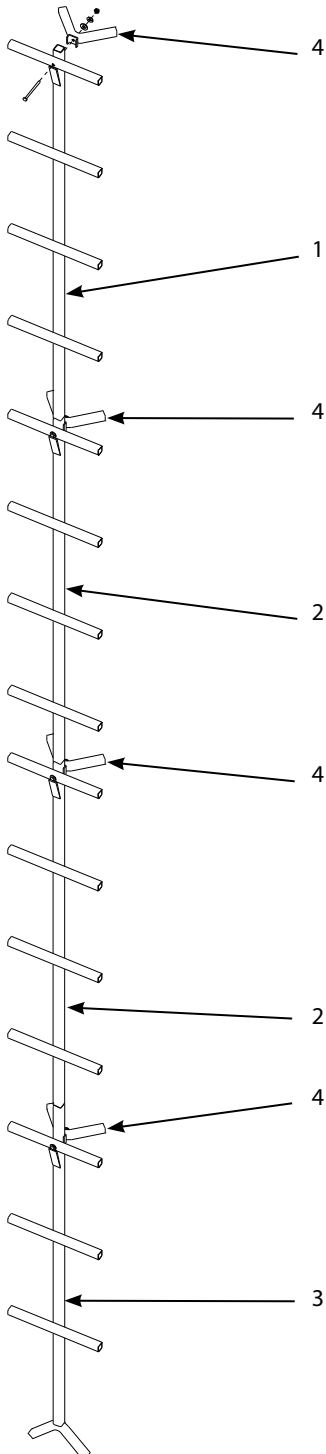
Finished 15' Rapid Stick
Model RE709



20' RAPID STICK PARTS RE708

**NO EXTENSIONS AVAILABLE FOR THIS MODEL,
TESTED FOR 20' MAXIMUM HEIGHT!**

KEY #	PART #	DESCRIPTION	QTY.
1	SS11	TOP STICK SECTION	1
2	SS10	MIDDLE STICK SECTION	2
3	SS9	BOTTOM STICK SECTION	1
4	SS12	TREE HUGGER	4
5	48280B	BOLT 1/4-20 X 3" HH BLK ZN	4
6	48261B	WASHER 1/4" FLAT BLK ZN	4
7	48752B	NUT 1/4-20 FLANGE NYLOCK BLK ZN	4
--	48748	STRAP WITH CAM & SNAP HOOK	4
--	48104	ANTI-SLIP TAPE 1/2" X 12"	15



ASSEMBLY INSTRUCTIONS (RE720, RE721, RE722)

Tools needed – two 7/16" wrenches

IMPORTANT ASSEMBLY TIP: Do not tighten any nut and bolt combinations completely until all parts are assembled together! Finger tighten plus one turn of a wrench only! This will temporarily hold the lock nut on the bolt while helping alignment of all parts! After all parts are assembled together, all nut & bolt combinations must be completely tightened.

1. Attach (1) tree hugger (SS24) and strap bracket to each factory assembled stick section using (1) provided 5/16-18 x 2-1/2" bolt, steel washer and locknut on each section. **SEE FIGURE 1. Tighten securely. Do not over tighten or crush tubing when tightening!**

NOTE: Head of bolt should be on the front side, same side as strap bracket. Washer and locknut should be on the back side of the tree hugger.

2. Attach (2) ground tabs (SS19) to the bottom end of the bottom stick section using (2) provided 1/4-20 x 2" bolts. **SEE FIGURE 2. Tighten securely. Do not over tighten or crush tubing when tightening!**

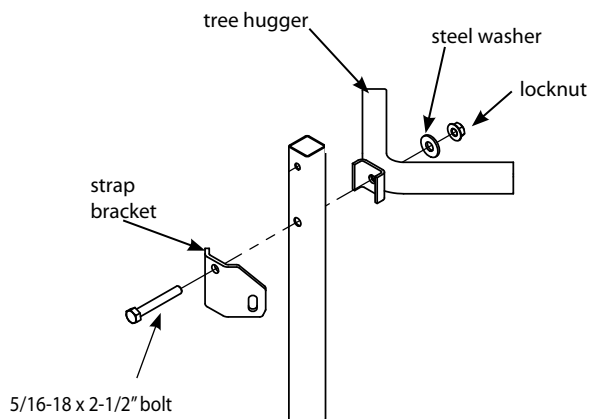


Figure 1

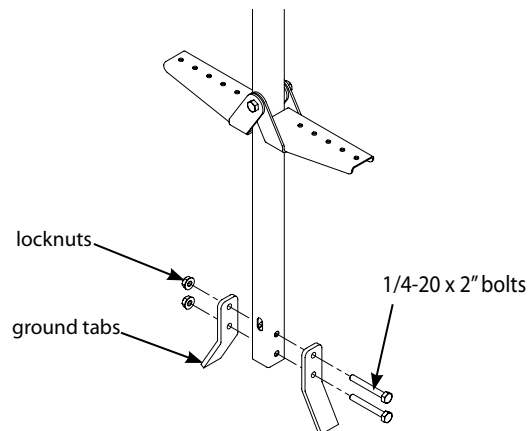


Figure 2

3.
 - a. Using (1) of the provided cam strap assemblies (48749), insert the loop end of the short strap through slot of strap attachment bracket. You may choose either slot, depending on left or right hand preference. **SEE FIGURE 3A.**
 - b. Take the entire cam strap assembly and feed it through the loop and pull tight forming a cinch knot. This permanently attaches the strap to the climbing section. **SEE FIGURES 3B and 3C.**
 - c. Repeat steps 3a and 3b to attach remaining strap assemblies to remaining Double Rung Climbing Aid sections.

4. Sections are assembled on the ground in the following order: bottom section (section with ground tabs attached), middle section, top section (section with no swedged end on top). **SEE FINISHED 15' DOUBLE RUNG CLIMBING AID.** Sections are stacked together by sliding sections together, inside of each other. Steps should be folded down to the in-use position.

NOTE: On 20' model, a second middle section is inserted between bottom and top sections, SEE FINISHED 20' DOUBLE RUNG CLIMBING AID.

NOTE: If you purchased the optional 5' Extension (RE722), it is to be inserted (positioned) between top and bottom sections. Extensions are the same design as the middle sections that come with a complete 15' Double Rung Climbing Aid.

5. Secure each stick section together using spring lock pins.

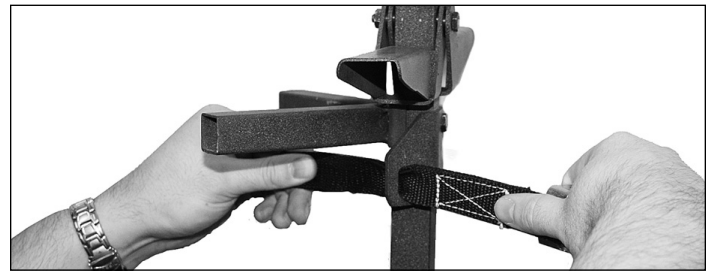


Figure 3a



Figure 3b

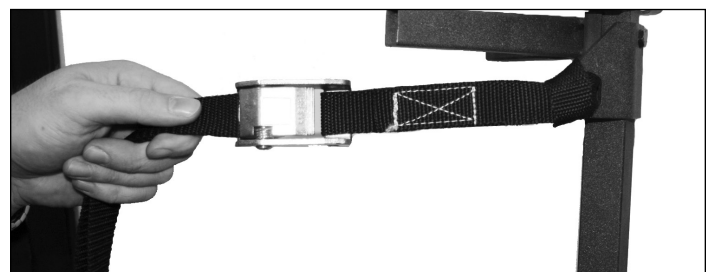


Figure 3c

SET-UP AND USE INSTRUCTIONS

1. Stand the stick up against the selected straight tree on dry, level ground. Take the snap hook end of the bottom section strap, wrap it around the tree, and attach it to the opposite slot of strap bracket by snapping it into the slot. Pull the tail of cam strap tight so that the section is snugly secured to the tree. **SEE FIGURE 4.** Be certain (2) two contact points of the tree hugger are contacting the tree.
2. While properly wearing/using a Full Body Harness with a lineman's/ climbing belt, climb the assembled climbing aid only far enough to reach the middle section strap and attach it to the tree. Repeat step 1 for proper attachment.
3. Repeat steps 1 and 2 for strap attachment for each section until all sections are securely attached.
4. Reverse set-up and use instructions to take down climbing aid.

WARNING

BE CERTAIN SPRING LOCK PINS ARE LATCHED SECURELY TO PREVENT ACCIDENTAL REMOVAL.

ALWAYS HAVE STEPS FOLDED DOWN TO THE IN-USE POSITION DURING USE.

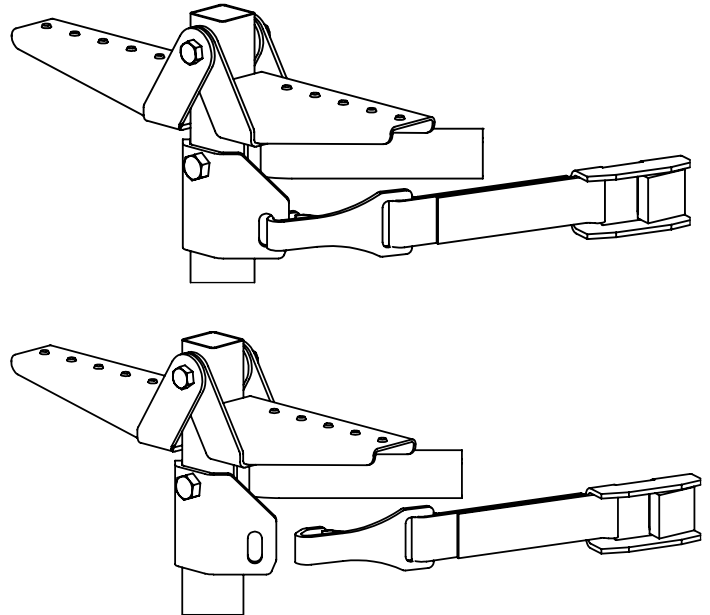
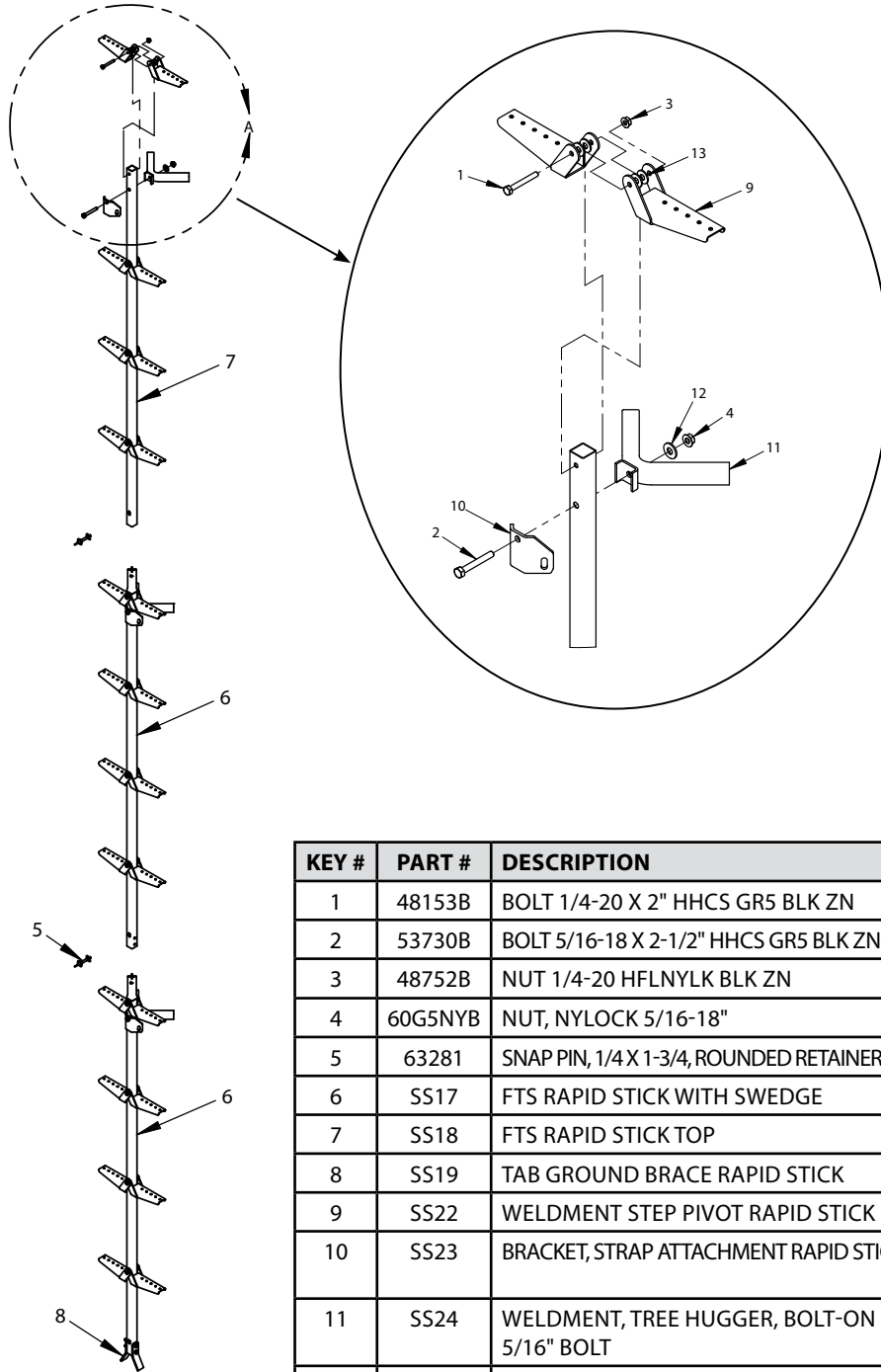


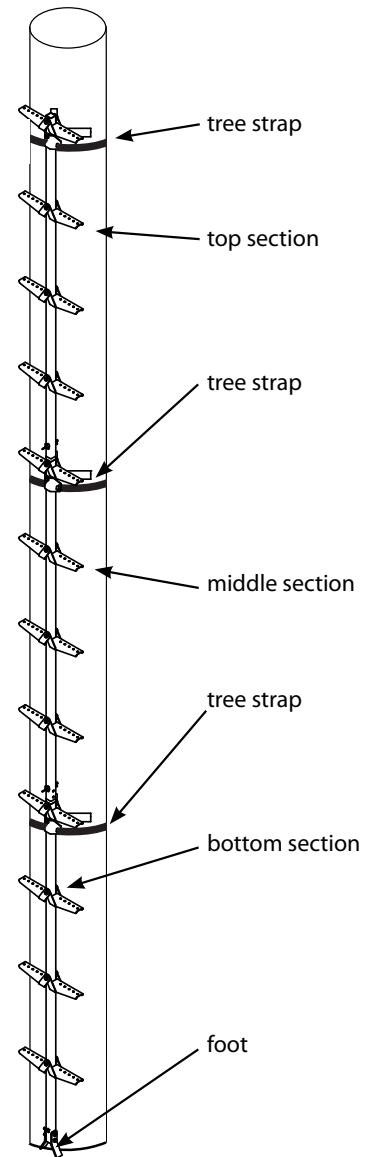
Figure 4

15' DOUBLE RUNG CLIMBING AID PARTS (RE721)

**5' EXTENSION (RE722) AVAILABLE FOR THIS MODEL,
TESTED FOR 20' MAXIMUM HEIGHT!**



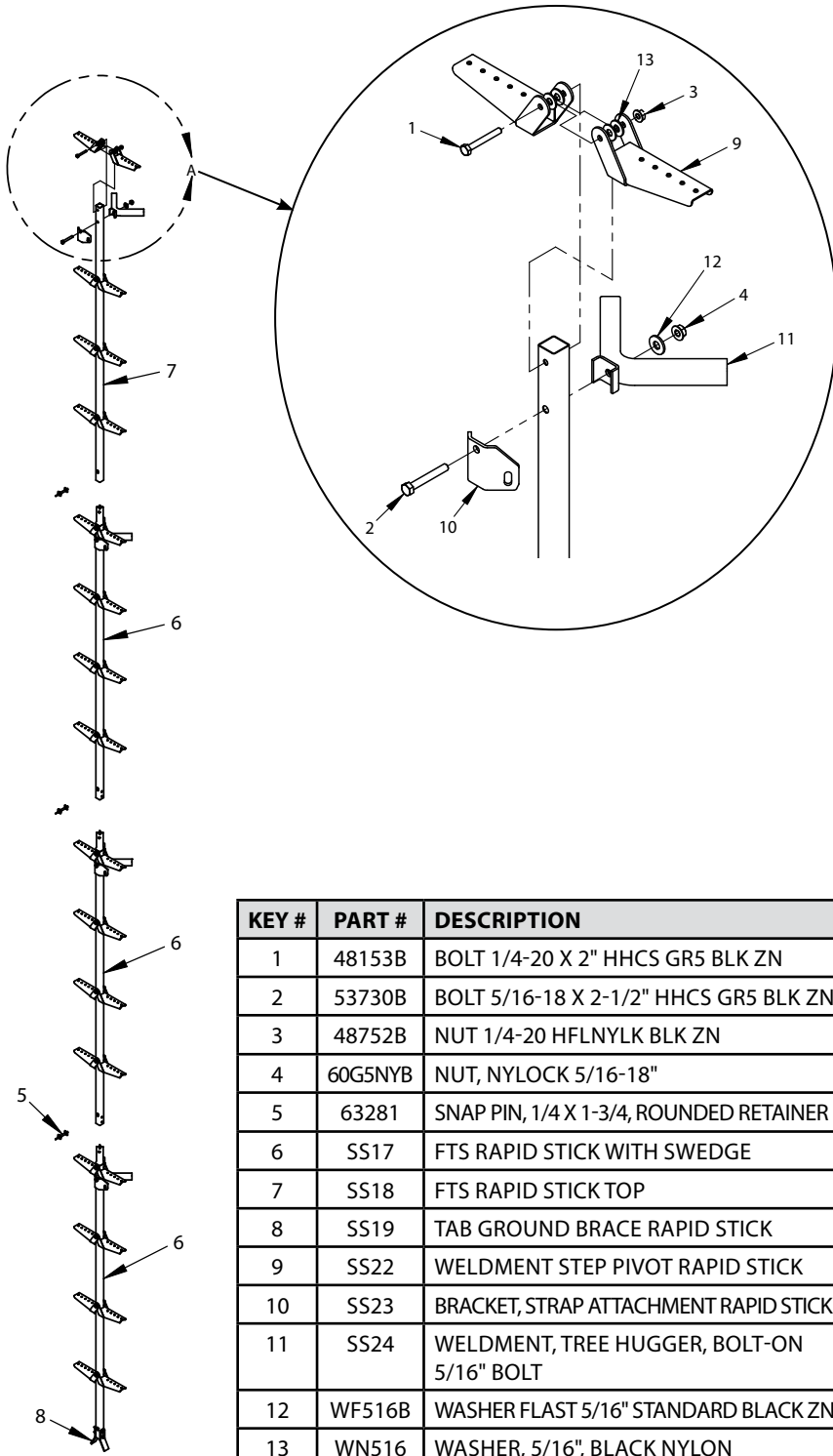
Finished 15' Double Rung Climbing Aid
Model RE721



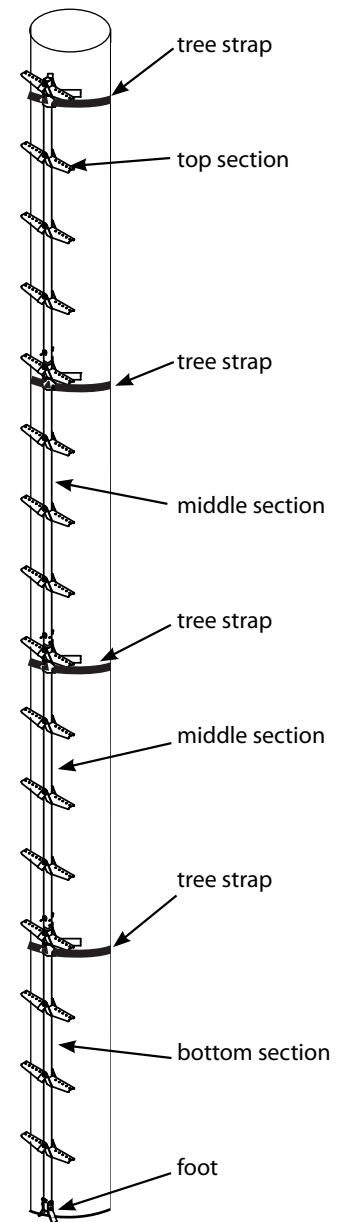
KEY #	PART #	DESCRIPTION	QTY.
1	48153B	BOLT 1/4-20 X 2" HHCS GR5 BLK ZN	14
2	53730B	BOLT 5/16-18 X 2-1/2" HHCS GR5 BLK ZN	3
3	48752B	NUT 1/4-20 HFLNYLK BLK ZN	14
4	60G5NYB	NUT, NYLOCK 5/16-18"	3
5	63281	SNAP PIN, 1/4X 1-3/4, ROUNDED RETAINER	2
6	SS17	FTS RAPID STICK WITH SWEDGE	2
7	SS18	FTS RAPID STICK TOP	1
8	SS19	TAB GROUND BRACE RAPID STICK	2
9	SS22	WELDMENT STEP PIVOT RAPID STICK	24
10	SS23	BRACKET, STRAP ATTACHMENT RAPID STICK	3
11	SS24	WELDMENT, TREE HUGGER, BOLT-ON 5/16" BOLT	3
12	WF516B	WASHER FLAST 5/16" STANDARD BLACK ZN	3
13	WN516	WASHER, 5/16", BLACK NYLON	48
--	48749	STRAP WITH CAM & SNAP HOOK	3

20' DOUBLE RUNG CLIMBING AID PARTS (RE720)

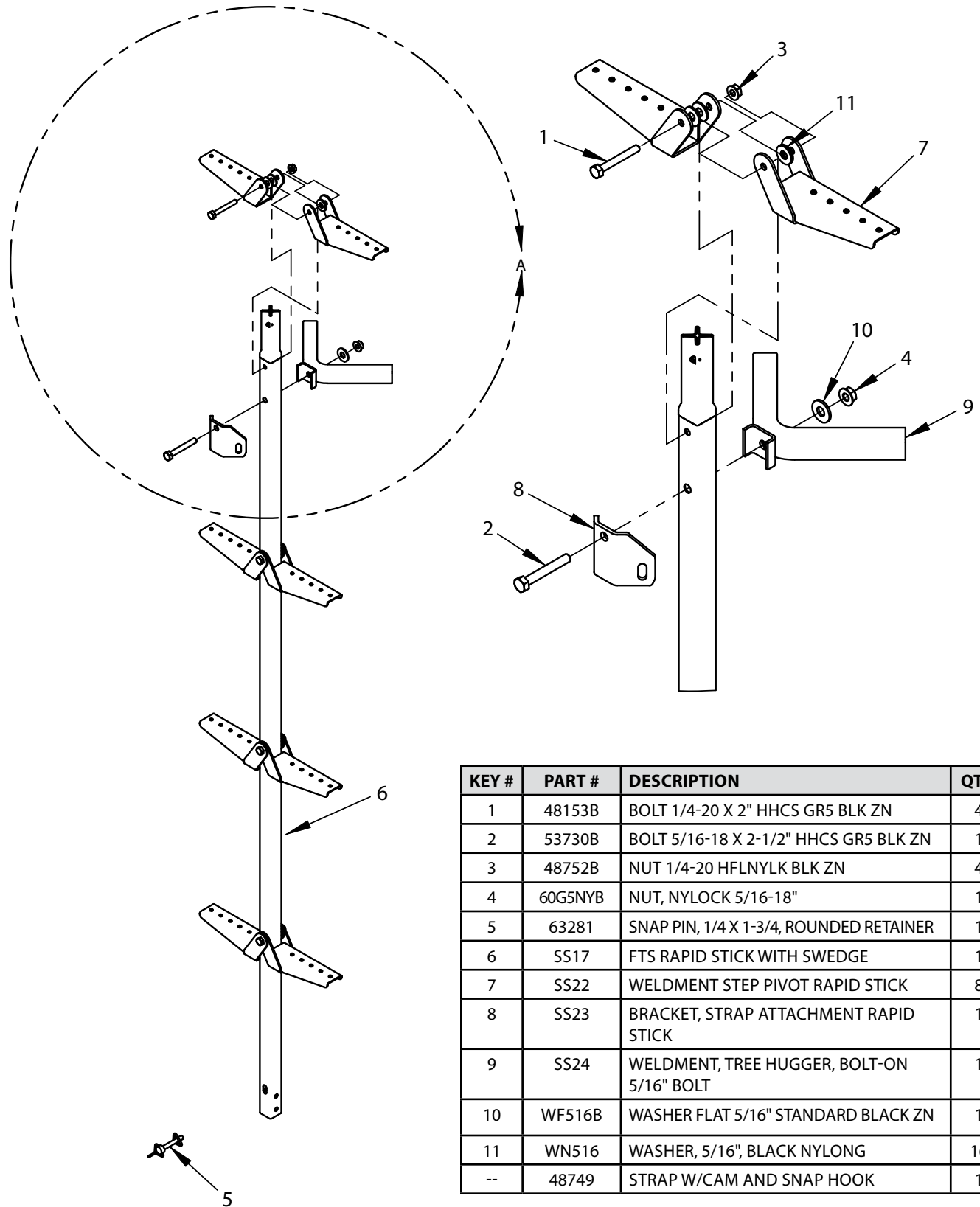
**NO EXTENSIONS AVAILABLE FOR THIS MODEL,
TESTED FOR 20' MAXIMUM HEIGHT!**



Finished 20' Double Rung Climbing Aid
Model RE720



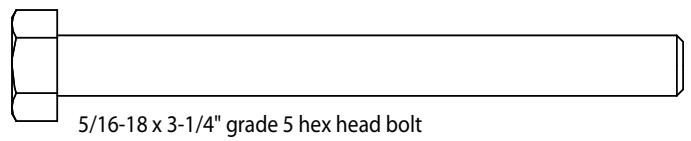
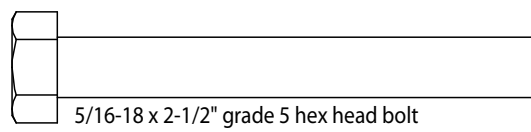
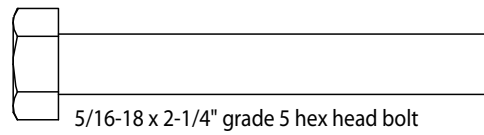
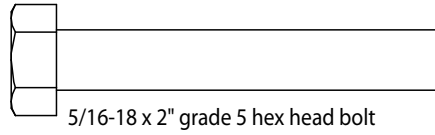
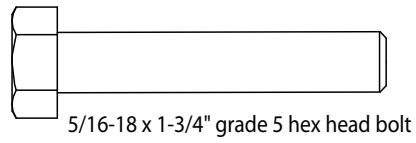
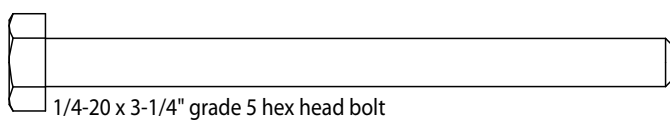
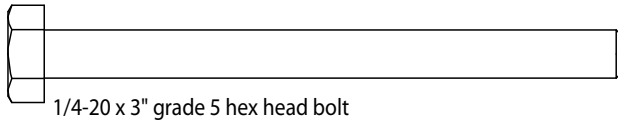
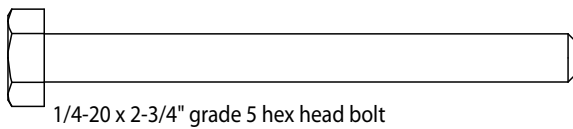
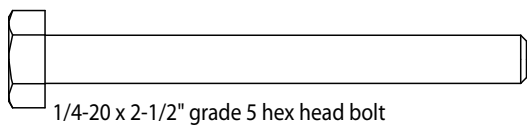
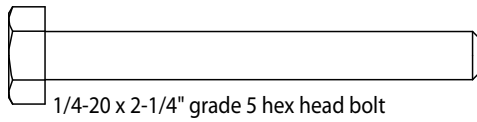
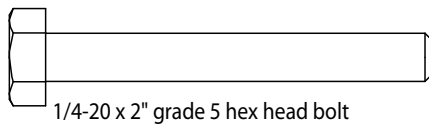
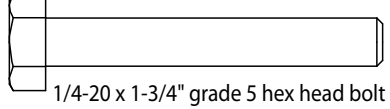
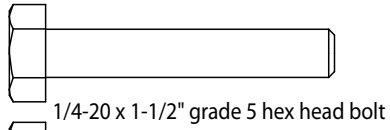
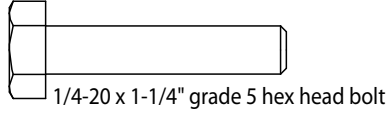
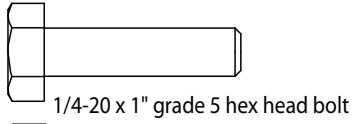
KEY #	PART #	DESCRIPTION	QTY.
1	48153B	BOLT 1/4-20 X 2" HHCS GR5 BLK ZN	18
2	53730B	BOLT 5/16-18 X 2-1/2" HHCS GR5 BLK ZN	4
3	48752B	NUT 1/4-20 HFLNYLK BLK ZN	18
4	60G5NYB	NUT, NYLOCK 5/16-18"	4
5	63281	SNAP PIN, 1/4 X 1-3/4, ROUNDED RETAINER	3
6	SS17	FTS RAPID STICK WITH SWEDGE	3
7	SS18	FTS RAPID STICK TOP	1
8	SS19	TAB GROUND BRACE RAPID STICK	2
9	SS22	WELDMENT STEP PIVOT RAPID STICK	32
10	SS23	BRACKET, STRAP ATTACHMENT RAPID STICK	4
11	SS24	WELDMENT, TREE HUGGER, BOLT-ON 5/16" BOLT	4
12	WF516B	WASHER FLAST 5/16" STANDARD BLACK ZN	4
13	WN516	WASHER, 5/16", BLACK NYLON	64
--	48749	STRAP WITH CAM & SNAP HOOK	4



KEY #	PART #	DESCRIPTION	QTY.
1	48153B	BOLT 1/4-20 X 2" HHCS GR5 BLK ZN	4
2	53730B	BOLT 5/16-18 X 2-1/2" HHCS GR5 BLK ZN	1
3	48752B	NUT 1/4-20 HFLNYLK BLK ZN	4
4	60G5NYB	NUT, NYLOCK 5/16-18"	1
5	63281	SNAP PIN, 1/4 X 1-3/4, ROUNDED RETAINER	1
6	SS17	FTS RAPID STICK WITH SWEDGE	1
7	SS22	WELDMENT STEP PIVOT RAPID STICK	8
8	SS23	BRACKET, STRAP ATTACHMENT RAPID STICK	1
9	SS24	WELDMENT, TREE HUGGER, BOLT-ON 5/16" BOLT	1
10	WF516B	WASHER FLAT 5/16" STANDARD BLACK ZN	1
11	WN516	WASHER, 5/16", BLACK NYLONG	16
--	48749	STRAP W/CAM AND SNAP HOOK	1

BOLT IDENTIFICATION CHART

Not all bolt sizes shown are included with all treestands. Bolts shown are for size reference only. Extra hardware may be included in the parts bag.





Rivers Edge Treestands, Inc.
1690 Elm Street, PO Box 755
Cumberland, WI 54829
800-450-EDGE (3343) | Fax 715-822-2124
Email: info@huntriversedge.com